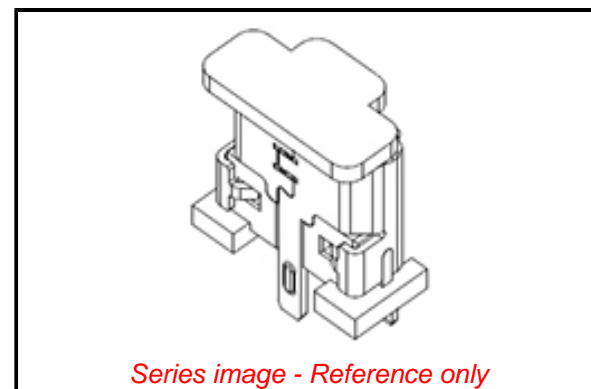


**PLEASE CHECK WWW.MOLEX.COM FOR LATEST PART INFORMATION**

**Part Number:** [1051330021](#)  
**Status:** **Active**  
**Overview:** USB Connectors: USB Type-A, USB Type-B, and USB Type-C Plugs and Receptacles  
**Description:** Micro-USB B Receptacle with Flange, Vertical, Surface Mount, 7.80mm Height, 2.30mm Solder Tabs, Lead-Free

**Documents:**

<a href="#">3D Model</a>	<a href="#">Packaging Specification PK-105133-002-001 (PDF)</a>
<a href="#">Drawing (PDF)</a>	<a href="#">Test Summary TS-105133-021-001 (PDF)</a>
<a href="#">3D Model (PDF)</a>	<a href="#">RoHS Certificate of Compliance (PDF)</a>
<a href="#">Product Specification PS-47642-001-001 (PDF)</a>	



**Agency Certification**

UL E107635

**General**

Product Family	I/O Connectors
Series	<a href="#">105133</a>
Application	Wire-to-Board
Comments	Signal contacts 1.0A, Power contacts 1.8A
Component Type	Receptacle
Overview	<a href="#">USB Connectors: USB Type-A, USB Type-B, and USB Type-C Plugs and Receptacles</a>
Product Name	USB
Standard	USB 2.0
Type	Micro-B
UPC	887191406022

**Physical**

Circuits (Loaded)	5
Circuits (maximum)	5
Color - Resin	Black
Durability (mating cycles max)	10000
Flammability	94V-0
Gender	Female
Keying to Mating Part	Yes
Lock to Mating Part	No
Material - Metal	Copper Alloy
Material - Plating Mating	Gold over Palladium Nickel
Material - Plating Termination	Gold
Material - Resin	Liquid Crystal Polymer
Mounting Style	Vertical
Net Weight	0.425/g
Number of Rows	1
Orientation	Vertical
PCB Retention	None
Packaging Type	Embossed Tape on Reel
Panel Mount	No
Pitch - Mating Interface	0.65mm
Pitch - Termination Interface	0.65mm
Polarized to Mating Part	Yes
Ports	1
Surface Mount Compatible (SMC)	No
Temperature Range - Operating	-30° to +85°C
Termination Interface: Style	Surface Mount
Waterproof / Dustproof	No

**EU ELV**

**Not Relevant**

**EU RoHS**

**Compliant**

**REACH SVHC**

Not Contained Per -  
D(2021)4569-DC (8  
July 2021)

**Halogen-Free**

**Status**

**Low-Halogen**

For more information, please visit [Contact US](#)

China ROHS

ELV

RoHS Phthalates

**China RoHS**

Green Image

Not Relevant

Not Contained

**Search Parts in this Series**

[105133 Series](#)

**Electrical**

Current - Maximum per Contact

1.8A, 1.0A

Voltage - Maximum

30V AC (RMS)

**Material Info****Reference - Drawing Numbers**

Packaging Specification

PK-105133-002-001

Product Specification

PS-47642-001-001

Sales Drawing

SD-105133-021-001

Test Summary

TS-105133-021-001

This document was generated on 10/04/2021

**PLEASE CHECK [WWW.MOLEX.COM](http://WWW.MOLEX.COM) FOR LATEST PART INFORMATION**

## X-ON Electronics

Largest Supplier of Electrical and Electronic Components

*Click to view similar products for [USB Connectors](#) category:*

*Click to view products by [Molex](#) manufacturer:*

Other Similar products are found below :

[65-647-8-BK-BU](#) [950](#) [952](#) [E8144-B01021-L](#) [A-USB A-LP-SMT-C](#) [MUSBA511N5](#) [MUSBD11135](#) [217450-1](#) [CA 6 W LD](#) [KMBVX-TH-5S-B30](#) [896-30-004-00-000000](#) [KUSBVX-BS1N-W30](#) [KUSBX-AP-KIT-SCBLK](#) [KUSBX-AS2N-W](#) [KUSBX-SMT2AP1S-W](#) [KUSBX-SMT2AP1S-W30](#) [935](#) [957](#) [30-498-6](#) [17-210051](#) [1734082-1](#) [30-1574](#) [30-470](#) [30-489](#) [30-541](#) [30-572-3](#) [MAB 8 SN V](#) [A-USB A-2P-C](#) [MIKROE-1451](#) [USBFTV2PEM2G](#) [USBFTVC6ZN](#) [KUSBX-AS2N-W30](#) [KUSBX-SLAS1N-W](#) [KUSBX-SMT-AS1N-W30](#) [4689-1](#) [1-1734084-2](#) [E8110-001-01](#) [MUSBA81130](#) [33UBARS1-04SW11](#) [33UBAR-04SW11](#) [USBF21ZNSCC](#) [USBBFTV6ZC](#) [10135326-001LF](#) [M9177/3-1](#) [USB-A-S-F-B-VT](#) [925](#) [4198](#) [690-024-633-031](#) [KUSBEX-BSFS1N-W](#) [USBFTVC6MRG](#)