

NOTES:

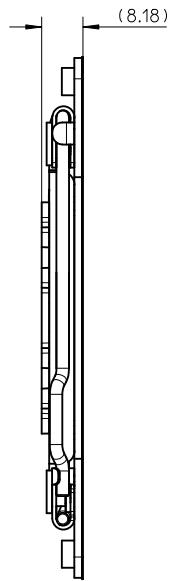
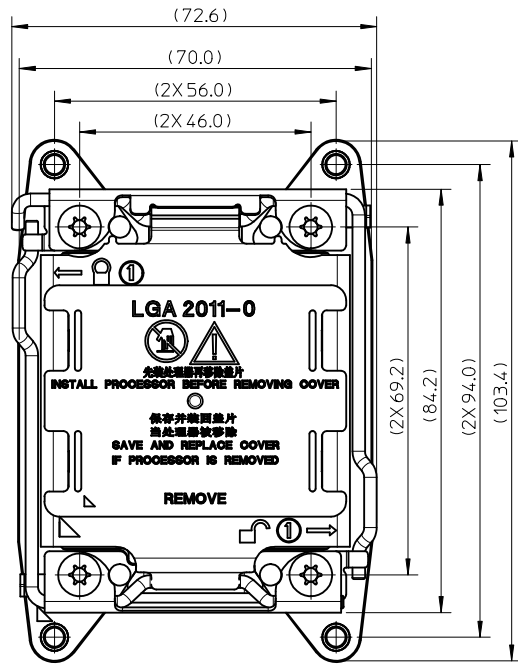
- 1. DATE CODE
- 2. DIMENSION A : ILM HEIGHT DEFINE

STATUS	HEIGHT
PRE-ASSEMBLY	7.55±0.30
AFTER-ASSEMBLY	7.23±0.30

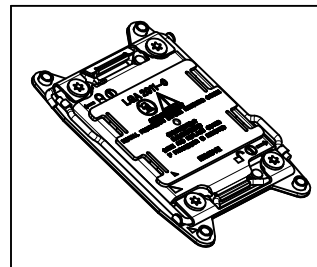
3. THE PARTS 105142**** COMPLIANT TO RoHS DIRECTIVE 2002/95/EC AND ELV 2000/53/EC.

TOP	COMPONENT				
	ITEM NO	Q'TY	PART NO.	DESCRIPTION	MATERIAL
LGA 2011 ILM ASSEMBLY (NARROW) PART NO: 105142-9000	1	4	105143-8001	LGA2011 CAPTIVE NUT, SHOULDER	STEEL WITH NICKEL PLATING
	2	1	105143-9001	LGA2011 ILM ACTIVE LEVER	STAINLESS STEEL
	3	4	105143-8003	LGA2011 ILM CAPTIVE NUT COLLAR, SHOULDER	STEEL WITH NICKEL PLATING
	4	1	105143-8004	LGA2011 ILM CLEVIS, ACTIVE	STAINLESS STEEL
	5	1	105143-8005	LGA2011 ILM CLEVIS, HINGE	STAINLESS STEEL
	6	1	105143-9003	LGA2011 ILM FRAME	STEEL WITH NICKEL PLATING
	7	1	105143-9004	LGA2011 ILM FRAME INSULATOR	HALOGEN FREE POLYCARBONATE SHEET
	8	1	105143-9002	LGA2011 ILM HINGE LEVER	STAINLESS STEEL
	9	4	105143-8010	LGA 2011 ILM HS STUD	STEEL WITH NICKEL PLATING
	10	1	105143-8011	LGA2011 ILM LOADPLATE	STAINLESS STEEL
	11	4	105143-8012	LGA2011 ILM RIVET	STAINLESS STEEL

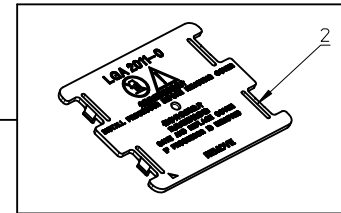
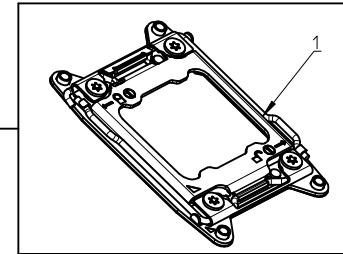
PROPOSED EC NO: SH2012-0197 DRWN: YXZHENG 2011/05/13 CHKD: APPR: AYIN 2012/06/22	QUALITY SYMBOLS	GENERAL TOLERANCES (UNLESS SPECIFIED)	DIMENSION STYLE MM ONLY	SCALE 1:1	DESIGN UNITS METRIC	THIRD ANGLE PROJECTION
	$F_A=0$	4 PLACES ± --- ± ---	mm INCH	DRAWN BY YXZHENG	DATE 2011/01/26	TITLE ILM AND BACK PLATE DRAWING FOR LGA 2011 SOCKET (NARROW)
	$F_C=0$	3 PLACES ± --- ± ---		CHECKED BY	DATE	MOLEX INCORPORATED
	$F_B=0$	2 PLACES ± 0.20 ± ---		APPROVED BY AYIN	DATE 2011/03/18	
	1 PLACE ± 0.30 ± ---	ANGULAR ± 3 °	DRAFT WHERE APPLICABLE MUST REMAIN WITHIN DIMENSIONS		SEE TABLE	SD-105142-900
			SIZE A3	THIS DRAWING CONTAINS INFORMATION THAT IS PROPRIETARY TO MOLEX INCORPORATED AND SHOULD NOT BE USED WITHOUT WRITTEN PERMISSION		SHEET NO. 1 OF 5



LGA 2011 ILM (NARROW) ASSEMBLY WITH ILM COVER
PART NO: 105142-9100



LGA 2011 ILM (NARROW) ASSEMBLY
PART NO: 105142-9000

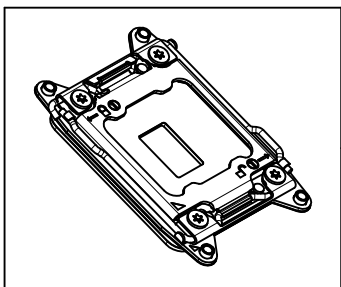


LGA 2011 ILM COVER
PART NO: 105143-8006

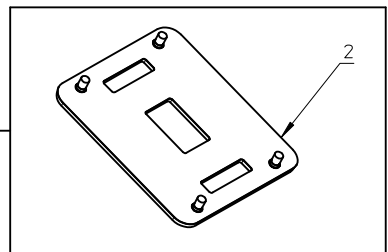
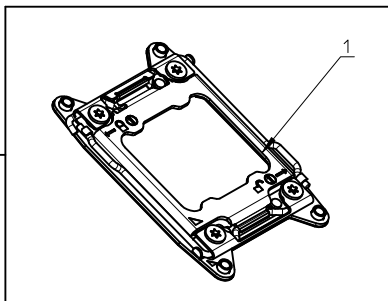
Q'T	ITEM NO	PART NO.	DESCRIPTION
1	TOP	105142-9100	LGA 2011 ILM (NARROW) ASSEMBLY WITH ILM COVER
1	1	105142-9000	LGA2011 ILM (NARROW) ASSEMBLY
1	2	105143-8006	LGA2011 ILM COVER (PC/ABS)

PROPOSED EC NO: SH2012-0197 DRWN: YXZHENG CHKD: APPR: AYIN	2011/05/13 2012/06/22	DESCRIPTION QUALITY SYMBOLS $F_A=0$ $F_C=0$ $F_B=0$	GENERAL TOLERANCES (UNLESS SPECIFIED)		DIMENSION STYLE MM ONLY		SCALE 1:1	DESIGN UNITS METRIC	THIRD ANGLE PROJECTION		
			4 PLACES	\pm ---	\pm ---	DRAWN BY YXZHENG	DATE 2011/01/26	TITLE ILM AND BACK PLATE DRAWING FOR LGA 2011 SOCKET (NARROW)			
			3 PLACES	\pm ---	\pm ---	CHECKED BY	DATE				
2 PLACES	\pm 0.20	\pm ---	APPROVED BY AYIN	DATE 2011/03/18	MOLEX INCORPORATED DOCUMENT NO. SD-105142-900						
1 PLACE	\pm 0.30	\pm ---	MATERIAL NO.								
ANGULAR \pm 3°			DRAFT WHERE APPLICABLE MUST REMAIN WITHIN DIMENSIONS		SEE TABLE		SHEET NO. 2 OF 5				
					SIZE A3		THIS DRAWING CONTAINS INFORMATION THAT IS PROPRIETARY TO MOLEX INCORPORATED AND SHOULD NOT BE USED WITHOUT WRITTEN PERMISSION				

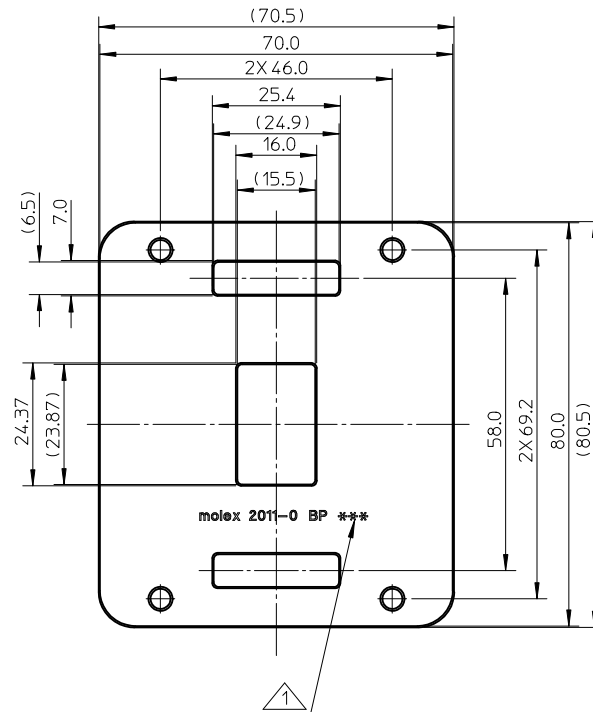
LGA 2011 ILM (NARROW) ASSEMBLY
AND BACK PLATE ASSEMBLY
PART NO: 105142-9200



LGA 2011 ILM (NARROW) ASSEMBLY
PART NO: 105142-9000



LGA 2011 BACK PLATE ASSEMBLY
PART NO: 105143-7000



Q'T	ITEM NO	PART NO.	DESCRIPTION
1	TOP	105142-9200	LGA 2011 ILM (NARROW) ASSEMBLY AND BACK PLATE ASSEMBLY
1	1	105142-9000	LGA2011 ILM (NARROW) ASSEMBLY
1	2	105143-7000	LGA2011 BACK PLATE ASSEMBLY

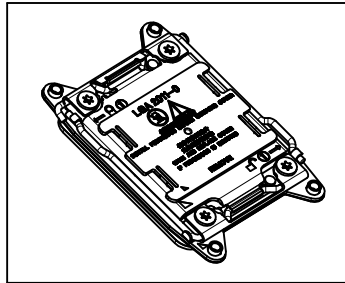
PROPOSED EC NO: SH2012-0197 DRWN: YXZHENG CHKD: APPR: AYIN	2011/05/13	2012/06/22	DESCRIPTION
	REV		
	A		

QUALITY SYMBOLS $F_A=0$ $F_G=0$ $F_P=0$	GENERAL TOLERANCES (UNLESS SPECIFIED)	
	mm	INCH
	4 PLACES	\pm ---
	3 PLACES	\pm ---
	2 PLACES	\pm 0.20
	1 PLACE	\pm 0.30
	ANGULAR \pm 3 °	
DRAFT WHERE APPLICABLE MUST REMAIN WITHIN DIMENSIONS		

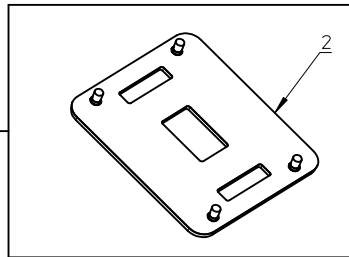
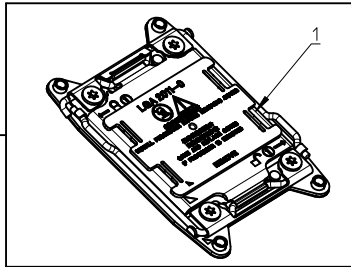
DIMENSION STYLE		SCALE	DESIGN UNITS
MM ONLY		1:2	METRIC
DRAWN BY	DATE	TITLE	
YXZHENG	2011/01/26	ILM AND BACK PLATE DRAWING FOR LGA 2011 SOCKET (NARROW)	
CHECKED BY	DATE	MOLEX INCORPORATED	
APPROVED BY	DATE	DOCUMENT NO.	
AYIN	2011/03/18	SD-105142-900	
MATERIAL NO.	SHEET NO.		
SEE TABLE	3 OF 5		

THIRD ANGLE PROJECTION	
MOLEX INCORPORATED	
SD-105142-900	
3 OF 5	
THIS DRAWING CONTAINS INFORMATION THAT IS PROPRIETARY TO MOLEX INCORPORATED AND SHOULD NOT BE USED WITHOUT WRITTEN PERMISSION	

LGA 2011 ILM (NARROW) ASSEMBLY
WITH ILM COVER AND BACK
PLATE ASSEMBLY
PART NO: 105142-9300



LGA 2011 ILM (NARROW) ASSEMBLY
WITH ILM COVER
PART NO: 105142-9100



LGA 2011 BACK PLATE ASSEMBLY
PART NO: 105143-7000

Q'T	ITEM NO	PART NO.	DESCRIPTION
1	TOP	105142-9300	LGA 2011 ILM (NARROW) ASSEMBLY WITH ILM COVER AND BACK PLATE ASSEMBLY
1	1	105142-9100	LGA2011 ILM (NARROW) ASSEMBLY WITH ILM COVER
1	2	105143-7000	LGA2011 BACK PLATE ASSEMBLY

PROPOSED EC NO: SH2012-0197 DRWN: YXZHENG CHKD: APPR: AYIN	2011/05/13 2012/06/22	DESCRIPTION QUALITY SYMBOLS $F_A=0$ $F_G=0$ $F_P=0$	GENERAL TOLERANCES (UNLESS SPECIFIED)		DIMENSION STYLE MM ONLY		SCALE 1:2	DESIGN UNITS METRIC	THIRD ANGLE PROJECTION	
						DRAWN BY YXZHENG	DATE 2011/01/26	TITLE ILM AND BACK PLATE DRAWING FOR LGA 2011 SOCKET (NARROW)		
						CHECKED BY	DATE			
							APPROVED BY AYIN	DATE 2011/03/18	MOLEX INCORPORATED DOCUMENT NO. SD-105142-900 SHEET NO. 4 OF 5	
					MATERIAL NO.	SEE TABLE				
DRAFT WHERE APPLICABLE MUST REMAIN WITHIN DIMENSIONS			SIZE A3	THIS DRAWING CONTAINS INFORMATION THAT IS PROPRIETARY TO MOLEX INCORPORATED AND SHOULD NOT BE USED WITHOUT WRITTEN PERMISSION						

10 9 8 7 6 5 4 3 2 1

F

E

D

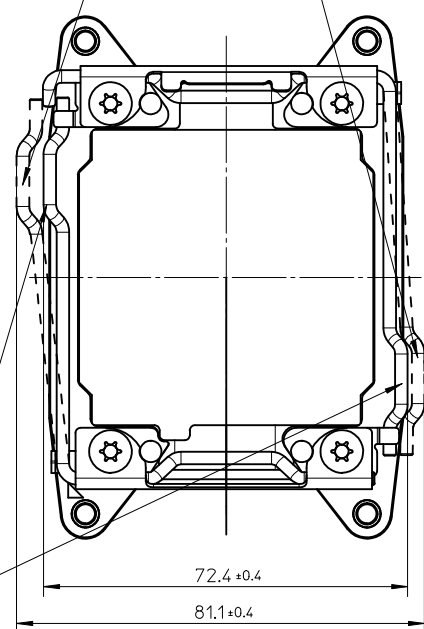
C

B

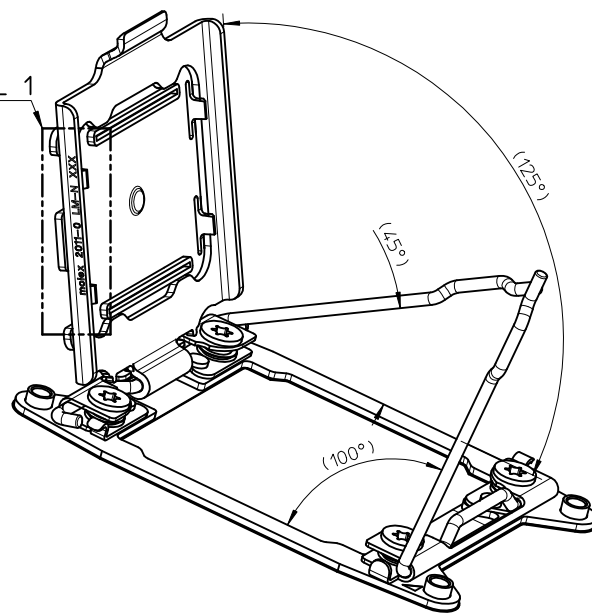
A

LEVER OPEN POSITION

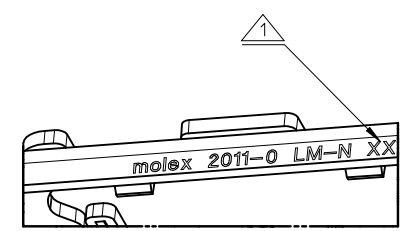
LEVER LOCK POSITION



DETAIL 1



ILM OPEN ANGLE FOR REFERENCE ONLY



DETAIL 1

PROPOSED EC NO: SH2012-0197 DRWN: YXZHENG 2011/05/13 CHKD: CHKD: APPR: AYIN 2012/06/22	DESCRIPTION REV A	QUALITY SYMBOLS	GENERAL TOLERANCES (UNLESS SPECIFIED)	DIMENSION STYLE MM ONLY	SCALE 1:1	DESIGN UNITS METRIC	THIRD ANGLE PROJECTION																
		$\nabla_{\sqrt{3}} = 0$ $\nabla_{\sqrt{2}} = 0$ $\nabla_{\sqrt{1}} = 0$	<table border="1"> <thead> <tr> <th></th> <th>mm</th> <th>INCH</th> </tr> </thead> <tbody> <tr> <td>4 PLACES</td> <td>± ---</td> <td>± ---</td> </tr> <tr> <td>3 PLACES</td> <td>± ---</td> <td>± ---</td> </tr> <tr> <td>2 PLACES</td> <td>± 0.20</td> <td>± ---</td> </tr> <tr> <td>1 PLACE</td> <td>± 0.30</td> <td>± ---</td> </tr> </tbody> </table>		mm	INCH	4 PLACES	± ---	± ---	3 PLACES	± ---	± ---	2 PLACES	± 0.20	± ---	1 PLACE	± 0.30	± ---	DRAWN BY: YXZHENG DATE: 2011/01/26 CHECKED BY: DATE:	TITLE	ILM AND BACK PLATE DRAWING FOR LGA 2011 SOCKET (NARROW)		
			mm	INCH																			
		4 PLACES	± ---	± ---																			
3 PLACES	± ---	± ---																					
2 PLACES	± 0.20	± ---																					
1 PLACE	± 0.30	± ---																					
APPROVED BY: AYIN DATE: 2011/03/18	ANGULAR ± 3 °		MATERIAL NO. SEE TABLE	DOCUMENT NO. SD-105142-900	MOLEX INCORPORATED																		
DRAFT WHERE APPLICABLE MUST REMAIN WITHIN DIMENSIONS			SIZE A3	THIS DRAWING CONTAINS INFORMATION THAT IS PROPRIETARY TO MOLEX INCORPORATED AND SHOULD NOT BE USED WITHOUT WRITTEN PERMISSION			SHEET NO. 5 OF 5																

9 8 7 6 5 4 3 2 1

X-ON Electronics

Largest Supplier of Electrical and Electronic Components

Click to view similar products for [IC & Component Sockets](#) category:

Click to view products by [Molex](#) manufacturer:

Other Similar products are found below :

[714-43-102-31-012000](#) [0066-3-17-15-30-14-02-0](#) [0134-0-15-15-32-27-04-0](#) [614-DG5](#) [6527-0-00-15-00-00-03-0](#) [670](#) [672](#) [673](#) [712-93-120-41-001000](#) [714-93-104-31-018000](#) [8059-4G1-LF](#) [807-22-001-10-001101](#) [807-22-001-10-003101](#) [807-22-001-10-004101](#) [807-22-001-10-006101](#) [807-22-001-30-011101](#) [807-22-001-30-012101](#) [807-22-001-30-013101](#) [807-22-001-30-014101](#) [8-1437531-4](#) [8150-6P10](#) [833-93-034-10-001000](#) [835-43-014-10-001000](#) [851-41-006-10-001000](#) [851-43-008-20-001000](#) [851-43-014-20-001000](#) [851-93-006-20-001000](#) [851-93-010-20-001000](#) [852-10-026-10-001000](#) [853-43-020-10-001000](#) [86.010.0053.0](#) [116-43-306-41-003000](#) [116-43-308-41-007000](#) [116-87-308-41-007101](#) [PX-68LCC](#) [PX-84LCC](#) [121-13-318-41-001000](#) [121-13-320-41-001000](#) [121-13-308-41-001000](#) [123-43-314-41-801000](#) [123-43-420-41-001000](#) [123-43-636-41-001000](#) [123-87-320-41-001101](#) [122-13-316-41-001000](#) [123-13-624-41-001000](#) [123-43-306-41-001000](#) [123-43-322-41-801000](#) [123-43-428-41-001000](#) [123-43-624-41-001000](#) [12-3513-11](#)