

10 9 8 7 6 5 4 3 2 1

F

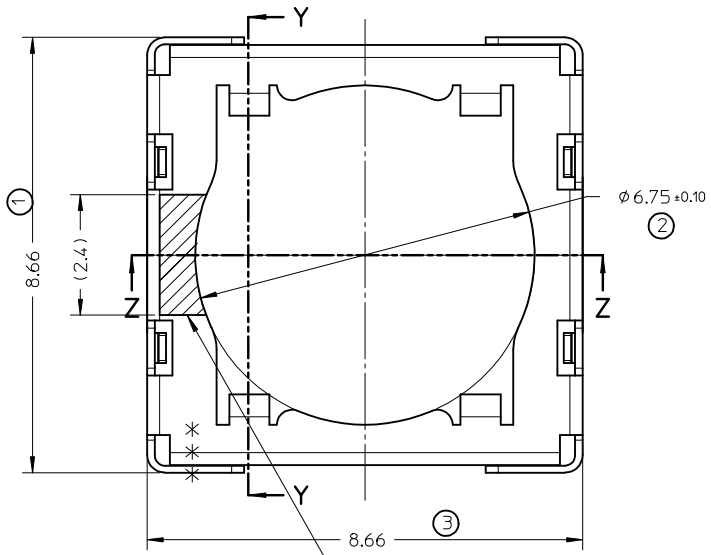
E

D

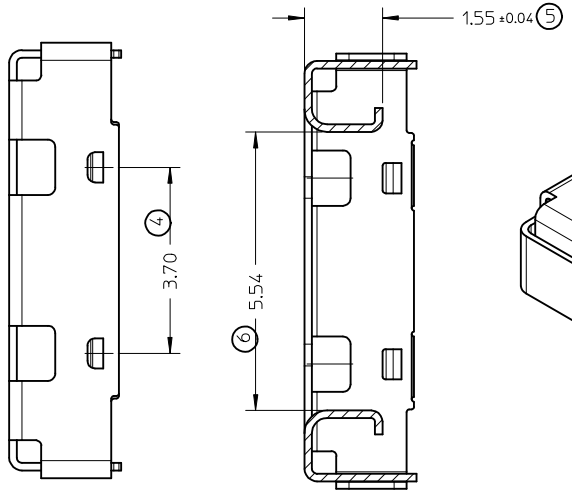
C

B

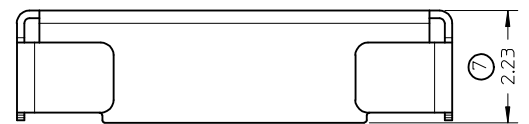
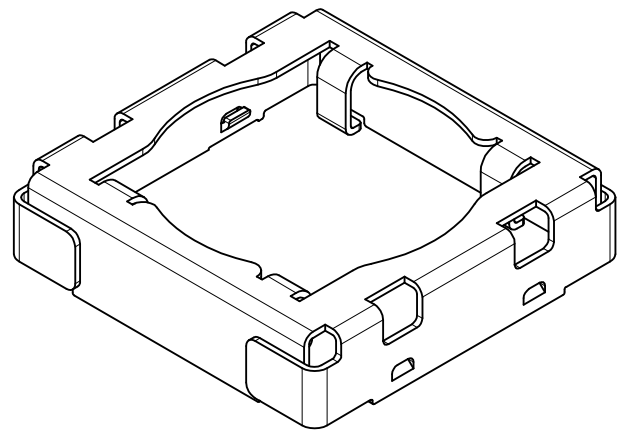
A



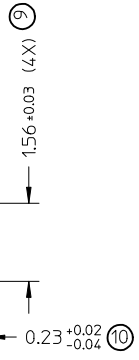
INK JET MARK AREA FOR ORIENTATION



SECTION Y-Y



SECTION Z-Z



- NOTE:  
 1.MATERIA: STAINLESS STEEL,THICKNESS:0.15MM.  
 2.FINISHED:OIL AND DIRT SHOULD BE CLEANED.  
 3.BURR FREE ATE THE BLANKING EDGE.  
 4.PACKAGE: TAPE AND REEL.

RELEASE EC NO: SH2013-0176 DRWN:WJHUO 2012/12/10 CHKD: APPR:AYIN 2013/01/08	DESCRIPTION REV	QUALITY SYMBOLS		GENERAL TOLERANCES (UNLESS SPECIFIED)		DIMENSION STYLE MM ONLY		SCALE 10:1	DESIGN UNITS METRIC	THIRD ANGLE PROJECTION		
				mm	INCH	DRAWN BY WJHUO	DATE 2012/12/10	TITLE SD DRAWING FOR TOP COVER 6.5X6.5 CAMERA SOCKET				
		4 PLACES	± ---	± ---	3 PLACES	± ---	± ---	CHECKED BY	DATE	molex DOCUMENT NO. SD-105163-205 SHEET NO. 1 OF 1		
		2 PLACES	± 0.15	± ---	1 PLACE	± 0.20	± ---	APPROVED BY AYIN	DATE 2013/01/08			
0 PLACE	± ---	± ---	ANGULAR ± 3 °		MATERIAL NO. 1051632005		THIS DRAWING CONTAINS INFORMATION THAT IS PROPRIETARY TO MOLEX INCORPORATED AND SHOULD NOT BE USED WITHOUT WRITTEN PERMISSION					
DRAFT WHERE APPLICABLE MUST REMAIN WITHIN DIMENSIONS				SIZE A3								

9 8 7 6 5 4 3 2 1

10 9 8 7 6 5 4 3 2 1

F

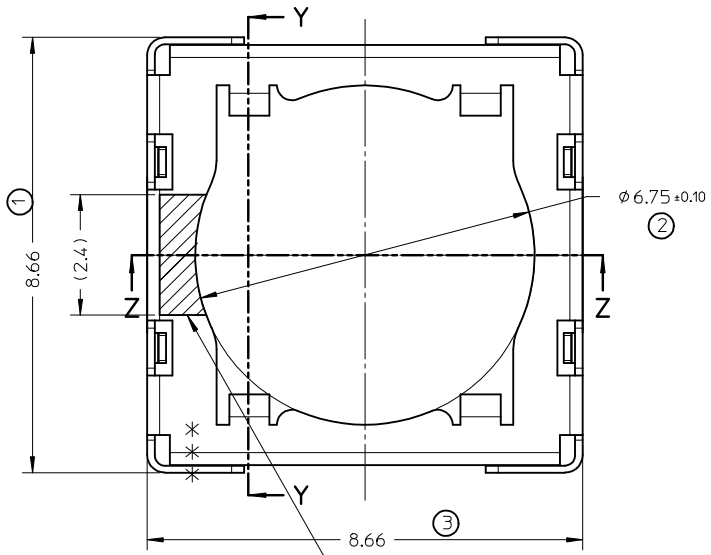
E

D

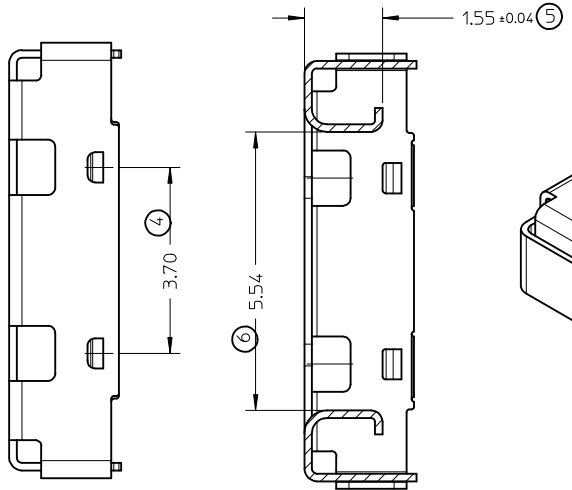
C

B

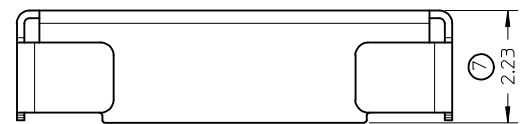
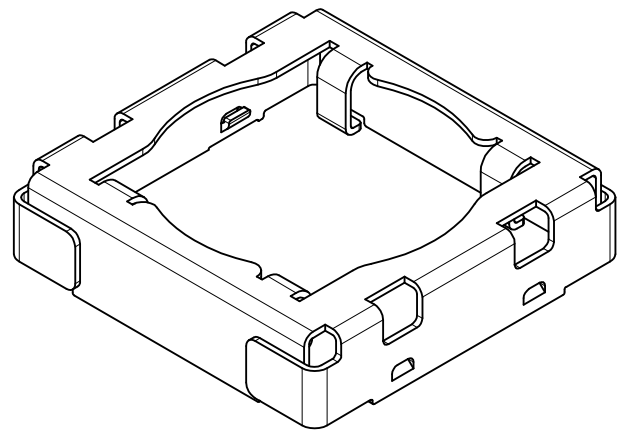
A



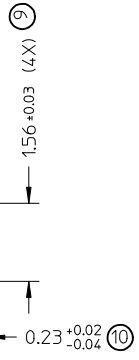
INK JET MARK AREA FOR ORIENTATION



SECTION Y-Y



SECTION Z-Z



- NOTE:  
 1.MATERIA: STAINLESS STEEL,THICKNESS:0.15MM.  
 2.FINISHED:OIL AND DIRT SHOULD BE CLEANED.  
 3.BURR FREE ATE THE BLANKING EDGE.  
 4.PACKAGE: TAPE AND REEL.

RELEASE EC NO: SH2013-0176 DRWN:WJHUO 2012/12/10 CHKD: APPR:AYIN 2013/01/08	DESCRIPTION REV	QUALITY SYMBOLS		GENERAL TOLERANCES (UNLESS SPECIFIED)		DIMENSION STYLE MM ONLY		SCALE 10:1	DESIGN UNITS METRIC	THIRD ANGLE PROJECTION	
				mm	INCH	DRAWN BY WJHUO	DATE 2012/12/10	TITLE SD DRAWING FOR TOP COVER 6.5X6.5 CAMERA SOCKET			
		4 PLACES	± ---	± ---		CHECKED BY	DATE	APPROVED BY AYIN 2013/01/08			
		3 PLACES	± ---	± ---							
2 PLACES	± 0.15	± ---				MATERIAL NO. 1051632005		DOCUMENT NO. SD-105163-205	SHEET NO. 1 OF 1		
1 PLACE	± 0.20	± ---		DRAFT WHERE APPLICABLE MUST REMAIN WITHIN DIMENSIONS		SIZE A3		THIS DRAWING CONTAINS INFORMATION THAT IS PROPRIETARY TO MOLEX INCORPORATED AND SHOULD NOT BE USED WITHOUT WRITTEN PERMISSION			
0 PLACE	± ---	± ---		ANGULAR ± 3 °							

9 8 7 6 5 4 3 2 1

## X-ON Electronics

Largest Supplier of Electrical and Electronic Components

*Click to view similar products for [IC & Component Sockets](#) category:*

*Click to view products by [Molex](#) manufacturer:*

Other Similar products are found below :

[0066-3-17-15-30-14-02-0](#) [670](#) [672](#) [673](#) [694-13-640-00-672-000](#) [712-93-120-41-001000](#) [714-93-104-31-018000](#) [8059-4G1-LF](#) [807-22-001-10-001101](#) [807-22-001-10-006101](#) [807-22-001-30-011101](#) [807-22-001-30-012101](#) [807-22-001-30-013101](#) [807-22-001-30-014101](#) [8-1437531-4](#) [8150-6P10](#) [833-93-034-10-001000](#) [851-41-006-10-001000](#) [851-43-008-20-001000](#) [851-43-014-20-001000](#) [851-93-006-20-001000](#) [851-93-010-20-001000](#) [853-43-020-10-001000](#) [86.010.0053.0](#) [116-43-308-41-007000](#) [PX-68LCC](#) [121-13-318-41-001000](#) [121-13-320-41-001000](#) [121-13-308-41-001000](#) [123-43-314-41-801000](#) [123-43-420-41-001000](#) [123-87-320-41-001101](#) [122-13-316-41-001000](#) [123-13-624-41-001000](#) [123-43-306-41-001000](#) [12-3513-11](#) [123-91-320-41-001000](#) [126-43-310-41-002000](#) [AKSUN 37V-T](#) [1437503-9](#) [1437504-1](#) [146-44-308-41-013000](#) [APO-320-G-T](#) [146-43-308-41-012000](#) [160-10-308-00-001000](#) [160-40-320-00-001000](#) [214-99-306-01-670800](#) [232-1270-02-0602](#) [2-382761-4](#) [2-5331677-4](#)