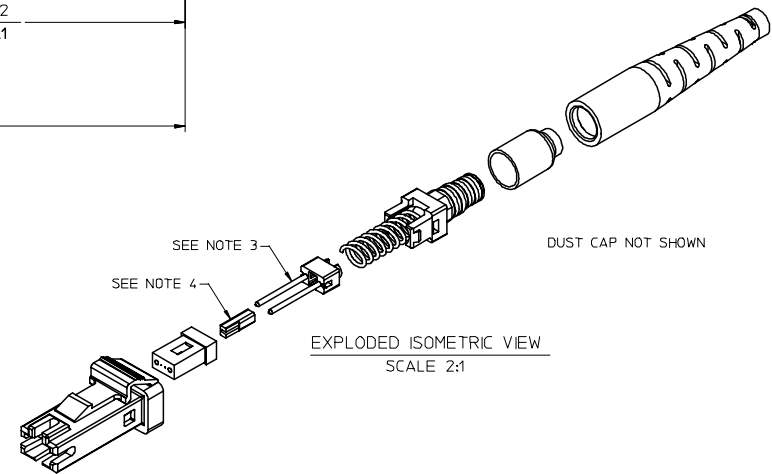
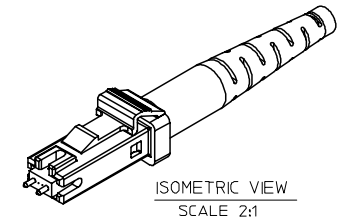
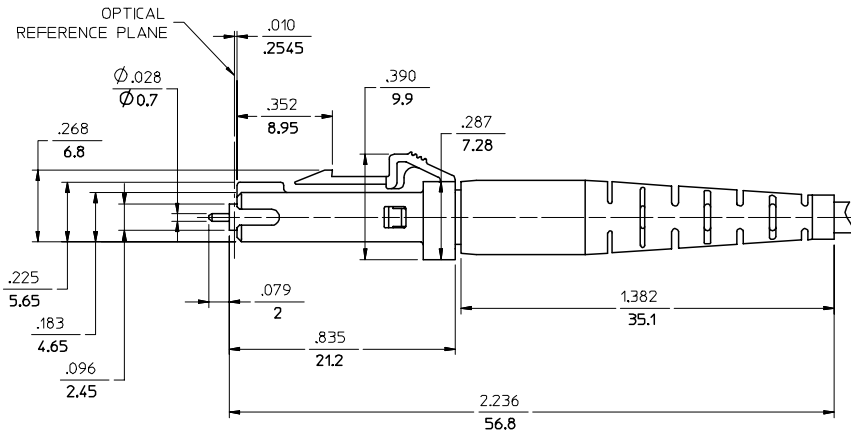
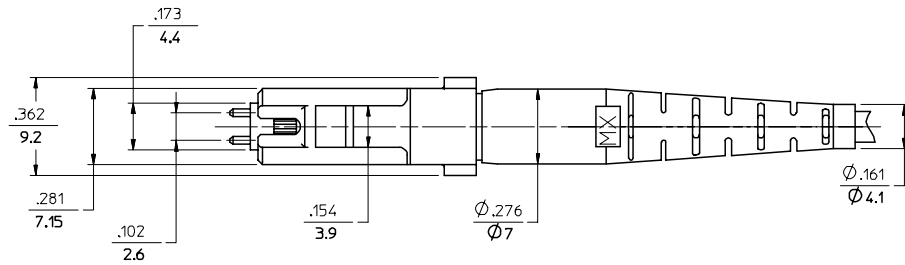


CONNECTOR P/N	BOOT COLOR	CONNECTOR TYPE
106002-3000	BEIGE	MALE MM
106003-3000		FEMALE MM
106002-5000	BLUE	MALE SM
106003-5000		FEMALE SM
106002-3030	BLACK	MALE MM
106002-3040*		MALE MM
106003-3030		FEMALE MM
106003-3040*	RED	FEMALE MM
106002-3031		MALE MM
106003-3033		FEMALE MM
106002-3032	BLUE	MALE MM
106003-3034		FEMALE MM



AVAILABLE CABLE TYPES

CABLE TYPE 1	CABLE TYPE 2	CABLE TYPE 3
2 FIBER DUAL LINK WITH Ø2.8mm JACKET	3.5mm X 1.6mm 2 FIBER ZPCORD	2 FIBER RIBBON WITH Ø2.9mm JACKET

NOTES:

- DUST CAP NOT SHOWN, BUT INCLUDED.
- MALE CONNECTOR SHOWN. FEMALE CONNECTOR DOES NOT CONTAIN PINS.
- CABLE TYPE 1 & 2 DO NOT REQUIRE FERRULE BOOT.
- SEE PROCEDURE 0A1131 FOR ASSEMBLY INSTRUCTIONS.
- P/N 106002-3040 AND 106003-3040 ARE BULK PACKED.

ENTER DESCRIPTION EC NO: MF2006-0340 DRAWN/RPAC I/C 2005/11/29 CHKD: 2005/11/29 APPR: JGUMIN 2005/11/29 REV A	QUALITY SYMBOLS ▽=0 ▽=0	GENERAL TOLERANCES (UNLESS SPECIFIED)		DIMENSION STYLE IN/MM		SCALE 3:1	DESIGN UNITS INCH	THIRD ANGLE PROJECTION			
		4 PLACES ± --- ± ---	3 PLACES ± --- ± ---	2 PLACES ± --- ± ---	1 PLACE ± --- ± ---	DRAWN BY RPAC I/C I	DATE 2005/10/20	TITLE MT-RJ CONNECTOR			
		ANGULAR ±1/2°				APPROVED BY		DATE	MATERIAL NO. SD-10600X-X0X0		
		DRAFT WHERE APPLICABLE MUST REMAIN WITHIN DIMENSIONS				SIZE C		DOCUMENT NO. SD-10600X-X0X0		SHEET NO. 1 OF 1	

X-ON Electronics

Largest Supplier of Electrical and Electronic Components

Click to view similar products for [Fibre Optic Connectors](#) category:

Click to view products by [Molex](#) manufacturer:

Other Similar products are found below :

[0004700001](#) [6100-R](#) [6313](#) [F709722200](#) [F709730000](#) [F718183204](#) [F727403500](#) [F727752800](#) [8119](#) [9440F20-27S-190](#) [944-120-6001](#)
[9441F10SL-3S](#) [9444W28-21S](#) [9444W36-10S](#) [9446F10SL-4S](#) [9446W20-16S](#) [953-101-5310-P](#) [954-101-57202B](#) [A0270169](#) [12-9122](#) [12-5702](#)
[AX101713](#) [AX102420](#) [AX103923](#) [AX104024](#) [AX104193](#) [AX104230](#) [AX104562](#) [AX105203-B25](#) [AX105205-S1](#) [EHSC2M](#) [17-300800](#)
[181-011-126](#) [181-011-S](#) [181-057-126](#) [HRFC-R2\(40\)](#) [NKSOPBUY](#) [20500002116](#) [2064996-1](#) [20800001065](#) [2170](#) [9132](#) [2612](#) [2620](#) [9291](#)
[9440F16-10S](#) [9440F20-18S](#) [9446F16-10S-190](#) [953-106-50231](#) [953-120-5003](#)