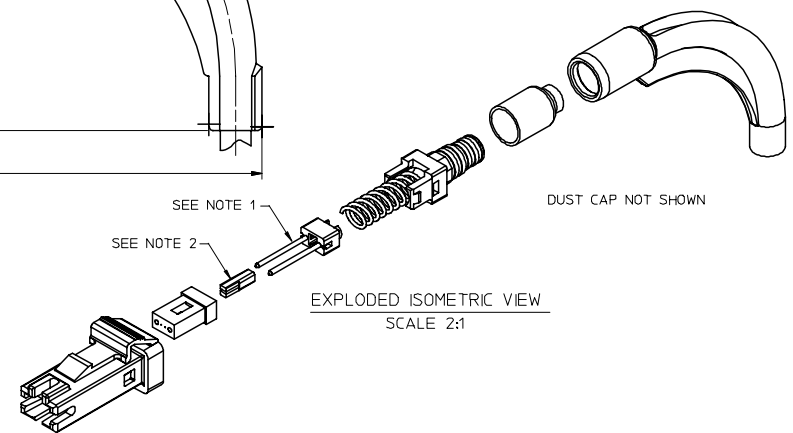
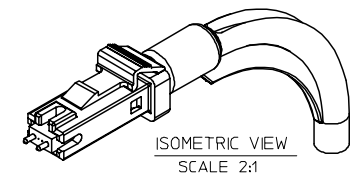
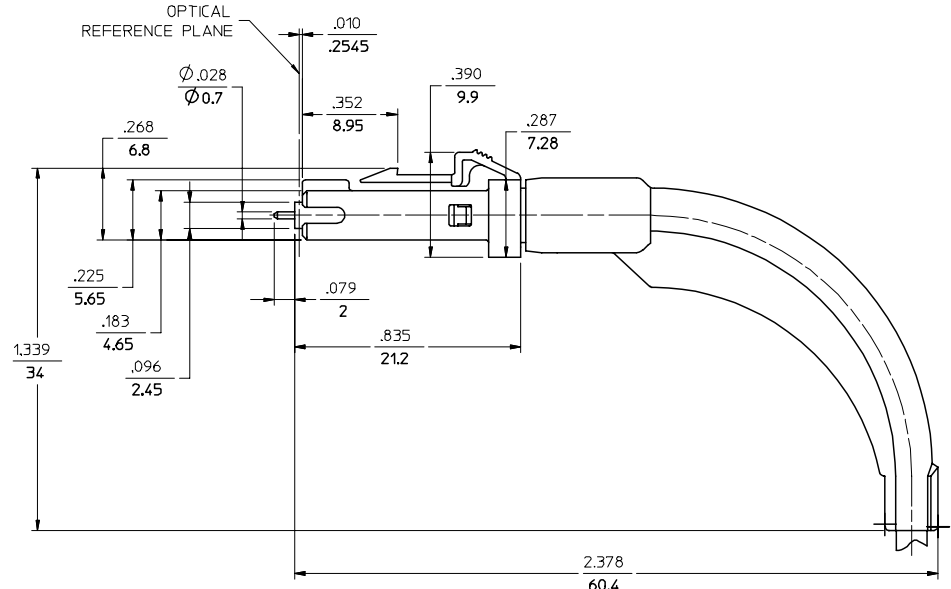
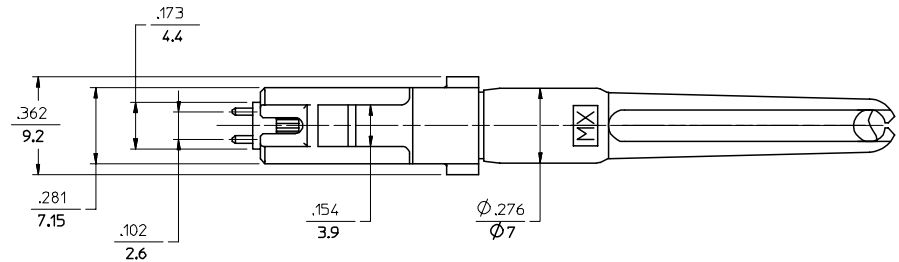


CONNECTOR P/N	CONNECTOR TYPE	BOOT COLOR
106002-3400	MALE MULTIMODE	BEIGE
106003-3400	FEMALE MULTIMODE	BEIGE
106002-5400	MALE SINGLEMODE	BLUE
106003-5400	FEMALE SINGLEMODE	BLUE
106002-3430	MALE MULTIMODE	BLACK
106003-3430	FEMALE MULTIMODE	BLACK



AVAILABLE CABLE TYPES

CABLE TYPE 1	CABLE TYPE 2	CABLE TYPE 3
2 FIBER DUAL LINK WITH Ø2.8mm JACKET	2 FIBER ZIPCORD 3.5mm X 1.6mm	2 FIBER RIBBON WITH Ø 2.9mm JACKET

- NOTES:
- DUST CAP NOT SHOWN, BUT INCLUDED.
 - MALE CONNECTOR SHOWN, FEMALE CONNECTOR DOES NOT CONTAIN PINS.
 - CABLE TYPE 1 & 2 DO NOT REQUIRE FERRULE BOOT.
 - SEE PROCEDURE 0A1131 FOR ASSEMBLY INSTRUCTIONS.

ENTER DESCRIPTION FC NO: MF2006-0340 DRAWN/RPACIFICI 2005/11/29 CHKD: 2005/11/29 APPR: JGUMIN 2005/11/29 REVISIONS A	QUALITY SYMBOLS ▽=0 ▽=0	GENERAL TOLERANCES (UNLESS SPECIFIED) mm INCH 4 PLACES ± --- ± --- 3 PLACES ± --- ± --- 2 PLACES ± --- ± --- 1 PLACE ± --- ± --- ANGULAR ±1/2°	DIMENSION STYLE IN/MM DRAWN BY RPACIFICI DATE 2005/10/20 CHECKED BY DATE APPROVED BY DATE	SCALE 3:1 DESIGN UNITS INCH THIRD ANGLE PROJECTION	MT-RJ CONNECTOR (90D BOOT) MOLEX INCORPORATED MATERIAL NO. SEE TABLE DOCUMENT NO. SD-10600X-X4X0 SHEET NO. 1 OF 01
		DRAFT WHERE APPLICABLE MUST REMAIN WITHIN DIMENSIONS	THIS DRAWING CONTAINS INFORMATION THAT IS PROPRIETARY TO MOLEX INCORPORATED AND SHOULD NOT BE USED WITHOUT WRITTEN PERMISSION		

X-ON Electronics

Largest Supplier of Electrical and Electronic Components

Click to view similar products for [Fibre Optic Connectors](#) category:

Click to view products by [Molex](#) manufacturer:

Other Similar products are found below :

[0004700001](#) [6100-R](#) [6313](#) [F709722200](#) [F709730000](#) [F718183204](#) [F727403500](#) [F727752800](#) [8119](#) [9440F20-27S-190](#) [944-120-6001](#)
[9441F10SL-3S](#) [9444W28-21S](#) [9444W36-10S](#) [9446F10SL-4S](#) [9446W20-16S](#) [953-101-5310-P](#) [954-101-57202B](#) [A0270169](#) [12-9122](#) [12-5702](#)
[AX101713](#) [AX102420](#) [AX103923](#) [AX104024](#) [AX104193](#) [AX104230](#) [AX104562](#) [AX105203-B25](#) [AX105205-S1](#) [EHSC2M](#) [17-300800](#)
[181-011-126](#) [181-011-S](#) [181-057-126](#) [NKSOPBUY](#) [20500002116](#) [2064996-1](#) [20800001065](#) [2170](#) [9132](#) [2612](#) [2620](#) [9291](#) [9440F16-10S](#)
[9440F20-18S](#) [9446F16-10S-190](#) [953-106-50231](#) [953-120-5003](#) [955-120-5110](#)