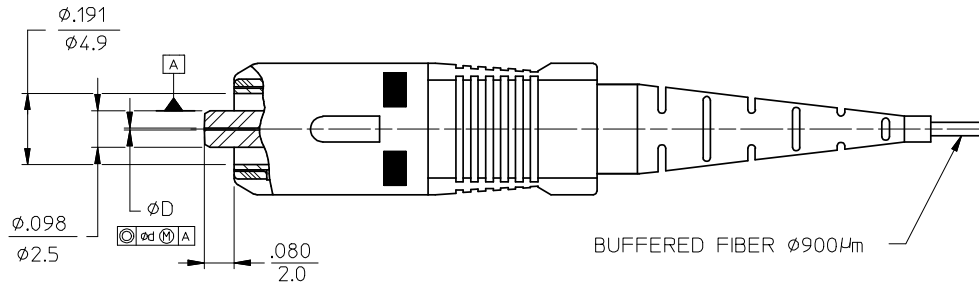
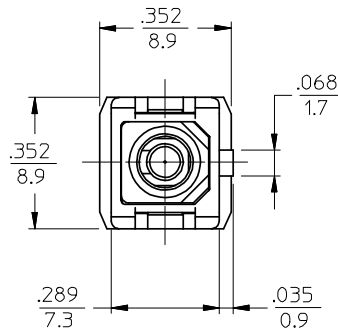
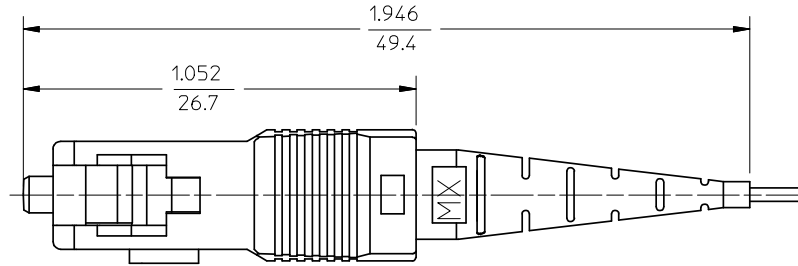


	13	12	11	10	9	8	7	6	5	4	3	2	1
	CONNECTOR P/N	øD (μm)	ød (μm)	BOOT COLOR	HOUSING COLOR	CONNECTOR TYPE							
J	106032-0500	127 $\begin{smallmatrix} +3.0 \\ -0.0 \end{smallmatrix}$	5.0	BLUE	BLUE	MULTIMODE							
	106032-0510			WHITE	BEIGE								
	106032-0560			BEIGE	BEIGE								
	106032-0570			BLACK	BLACK								
I	106032-0580	125.5 $\begin{smallmatrix} +1.0 \\ -0.0 \end{smallmatrix}$	1.0	RED	RED	SINGLE MODE							
	106032-2500			YELLOW	BLUE								
	106032-2510			WHITE	BLACK								
	106032-2570			BLACK	BLACK								
H	106032-2580	128 $\begin{smallmatrix} +2.0 \\ -0.0 \end{smallmatrix}$	3.0	RED	RED	MULTIMODE							
	106032-3500			BLUE	BLUE								
	106032-3510			WHITE	BEIGE								
	106032-3560			BEIGE	BEIGE								
G	106032-3570	126 $\begin{smallmatrix} +1.0 \\ -0.0 \end{smallmatrix}$	1.0	BLACK	BLACK	SINGLE MODE							
	106032-3580			RED	RED								
	106032-5500			YELLOW	BLUE								
	106032-5520*			WHITE	BLACK								
F	106032-5510	125.5 $\begin{smallmatrix} +0.5 \\ -0.0 \end{smallmatrix}$	0.5	BLACK	BLACK	SINGLE MODE							
	106032-5570			RED	RED								
	106032-5580			YELLOW	BLUE								
	106032-6500			WHITE	BLUE								
E	106032-6510	127 $\begin{smallmatrix} +1.0 \\ -0.0 \end{smallmatrix}$	1.0	YELLOW	BLUE	SINGLE MODE							
	106032-7500			WHITE	BLUE								
A	106032-7510			WHITE	BLUE								



NOTES:

*1. P/N 106032-5520 IS BULK PACKED IN QUANTITIES OF 100 PCS.

ENTER DESCRIPTION EC NO: MF2008-0420 DRWN:L.KATARZIENE 2008/04/01 CHKD: 2008/04/01 APPR:L.KATARZIENE 2008/04/01	QUALITY SYMBOLS ▽=0 ▽=0	GENERAL TOLERANCES (UNLESS SPECIFIED)	DIMENSION STYLE IN/MM	SCALE 4:1	DESIGN UNITS INCH	THIRD ANGLE PROJECTION
	4 PLACES ±--- ±--- 3 PLACES ±--- ±--- 2 PLACES ±--- ±--- 1 PLACE ±--- ±---	mm INCH	DRAWN BY DATE PGIBLIN 2005/09/15	TITLE SC BARE FIBER CONNECTOR (TUNABLE)	CHECKED BY DATE	APPROVED BY DATE
ANGULAR ±1/2°	DRAFT WHERE APPLICABLE MUST REMAIN WITHIN DIMENSIONS	MATERIAL NO. SEE TABLE	DOCUMENT NO. SD-106032-Y5Y0	SHEET NO. 1 OF 1	MOLLEX MOLEX INCORPORATED	
REV	DESCRIPTION	THIS DRAWING CONTAINS INFORMATION THAT IS PROPRIETARY TO MOLEX INCORPORATED AND SHOULD NOT BE USED WITHOUT WRITTEN PERMISSION				

X-ON Electronics

Largest Supplier of Electrical and Electronic Components

Click to view similar products for [Fibre Optic Connectors](#) category:

Click to view products by [Molex](#) manufacturer:

Other Similar products are found below :

[0004700001](#) [6100-R](#) [6313](#) [F709722200](#) [F709730000](#) [F718183204](#) [F727403500](#) [F727752800](#) [8119](#) [9440F20-27S-190](#) [944-120-6001](#)
[9441F10SL-3S](#) [9444W28-21S](#) [9444W36-10S](#) [9446F10SL-4S](#) [9446W20-16S](#) [953-101-5310-P](#) [954-101-57202B](#) [A0270169](#) [12-9122](#) [12-5702](#)
[AX101713](#) [AX102420](#) [AX103923](#) [AX104024](#) [AX104193](#) [AX104230](#) [AX104562](#) [AX105203-B25](#) [AX105205-S1](#) [EHSC2M](#) [17-300800](#)
[181-011-126](#) [181-011-S](#) [181-057-126](#) [HRFC-R2\(40\)](#) [NKSOPBUY](#) [20500002116](#) [2064996-1](#) [20800001065](#) [2170](#) [9132](#) [2612](#) [2620](#) [9291](#)
[9440F16-10S](#) [9440F20-18S](#) [9446F16-10S-190](#) [953-106-50231](#) [953-120-5003](#)