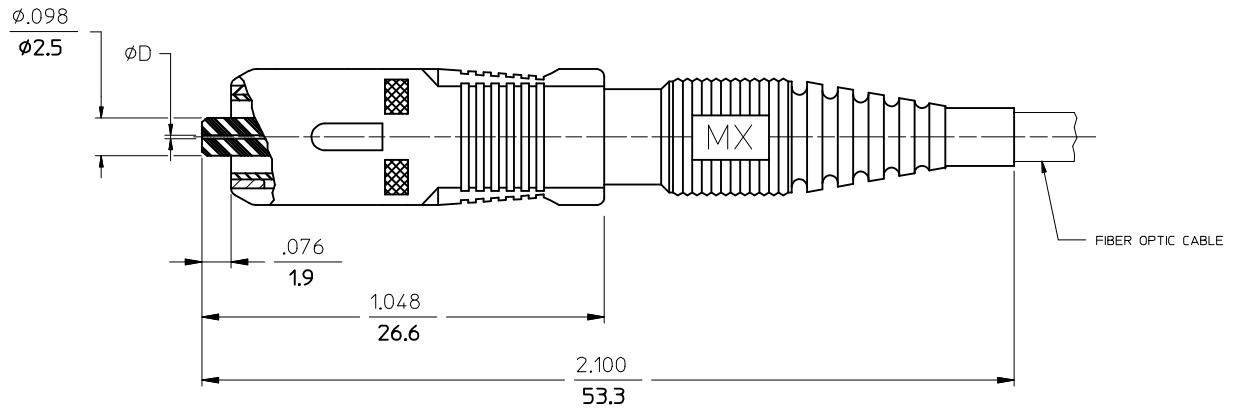
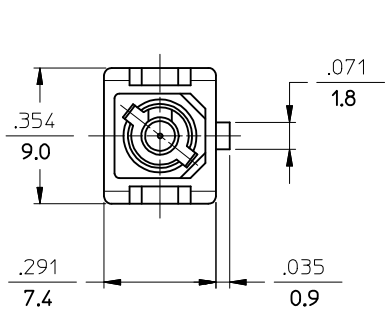


CONNECTOR P/N	øD (µm)	FERRULE MATERIAL	BOOT COLOR	HOUSING COLOR	CONNECTOR TYPE	CABLE (mm)
106063-0000	127	Zr	BLUE	BLUE	MULTIMODE	3
106063-0100						
106063-0060						
106063-0099		LOW COST Zr	BEIGE	BEIGE		
106063-0090						
106063-0360	125.5	Zr	BLACK	BLACK	SINGLE MODE	2.4
106063-0070						
106063-2000			YELLOW	BLUE	MULTIMODE	3
106063-2070			BLACK	BLACK		
106063-3000			BLUE	BLUE		
106063-3060	128		BEIGE	BEIGE	MULTIMODE	
106063-3070			BLACK	BLACK		

CONNECTOR P/N	øD (µm)	FERRULE MATERIAL	BOOT COLOR	HOUSING COLOR	CONNECTOR TYPE	CABLE (mm)	
106063-4000	125	Zr	YELLOW	BLUE	SINGLE MODE	3	
106063-4100	125.25		BLACK	BLACK			
106063-4070	125		YELLOW	BLUE			
106063-5000	126		BLACK	BLACK			
106063-5100			BLACK	BLUE			
106063-5070			YELLOW	BLUE			
106063-7000	127		BLACK	BLACK	MULTIMODE	2.4	
106063-7070			YELLOW	BLUE			
106063-0300			BLACK	BLACK			
106063-0310	126		YELLOW	BLUE	SINGLE MODE	2.4	
106063-4300			YELLOW	BLUE			
106063-5300			YELLOW	BLUE			
106063-5310	126		LOW COST Zr	YELLOW	BLUE	SINGLE MODE	3
106063-5099							



NOTES:

1. ALL DIMENSIONS ARE FOR REFERENCE ONLY.

△ P/N 106063-0090, P/N 106063-5100, P/N 106063-0100, P/N 106063-0310 AND P/N 106063-5310 ARE BULK PACKED IN QUANTITIES OF 100 PCS.

ENTER DESCRIPTION EC NO: MF-2017-0132 DRWIN:MANUAPPARE 2016/11/04 CHKD: IG/IMIN APPR: IG/IMIN 2016/11/16	QUALITY SYMBOLS ▽=0 ▽=0	GENERAL TOLERANCES (UNLESS SPECIFIED)		DIMENSION STYLE IN/MM	SCALE 5:1	DESIGN UNITS INCH	THIRD ANGLE PROJECTION	
		4 PLACES ± --- ± --- 3 PLACES ± --- ± --- 2 PLACES ± --- ± --- 1 PLACE ± --- ± --- 0 PLACE ± --- ± ---	mm INCH ± --- ± --- ± --- ± --- ± --- ± --- ± --- ± --- ± --- ± ---	DRAWN BY RPACIFIC1	DATE 2005/12/22	TITLE SC CONNECTOR (ONE PIECE DESIGN)		
DRAFT WHERE APPLICABLE MUST REMAIN WITHIN DIMENSIONS		ANGULAR ±1/2°		APPROVED BY DATE	molex			SHEET NO. 1 OF 1
MATERIAL NO. SEE TABLE				DOCUMENT NO. SD-106063-XXX0				THIS DRAWING CONTAINS INFORMATION THAT IS PROPRIETARY TO MOLEX INCORPORATED AND SHOULD NOT BE USED WITHOUT WRITTEN PERMISSION

X-ON Electronics

Largest Supplier of Electrical and Electronic Components

Click to view similar products for [Fibre Optic Connectors](#) category:

Click to view products by [Molex](#) manufacturer:

Other Similar products are found below :

[0004700001](#) [6100-R](#) [6313](#) [F709722200](#) [F709730000](#) [F718183204](#) [F727403500](#) [F727752800](#) [8119](#) [9440F20-27S-190](#) [944-120-6001](#)
[9441F10SL-3S](#) [9444W28-21S](#) [9444W36-10S](#) [9446F10SL-4S](#) [9446W20-16S](#) [953-101-5310-P](#) [954-101-57202B](#) [A0270169](#) [12-9122](#) [12-5702](#)
[AX101713](#) [AX102420](#) [AX103923](#) [AX104024](#) [AX104193](#) [AX104230](#) [AX104562](#) [AX105203-B25](#) [AX105205-S1](#) [EHSC2M](#) [17-300800](#)
[181-011-126](#) [181-011-S](#) [181-057-126](#) [NKSOPBUY](#) [20500002116](#) [2064996-1](#) [20800001065](#) [2170](#) [9132](#) [2612](#) [2620](#) [9291](#) [9440F16-10S](#)
[9440F20-18S](#) [9446F16-10S-190](#) [953-106-50231](#) [953-120-5003](#) [955-120-5110](#)