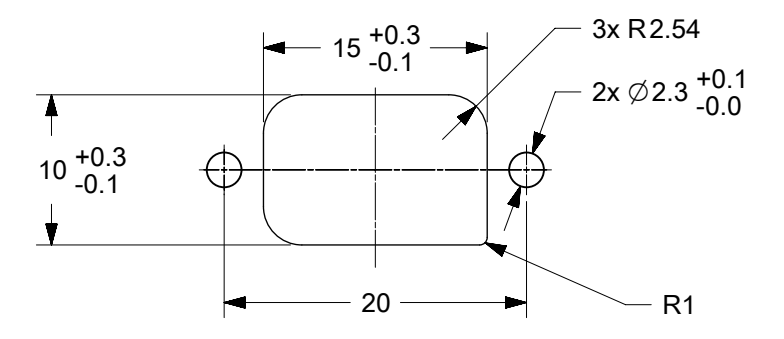
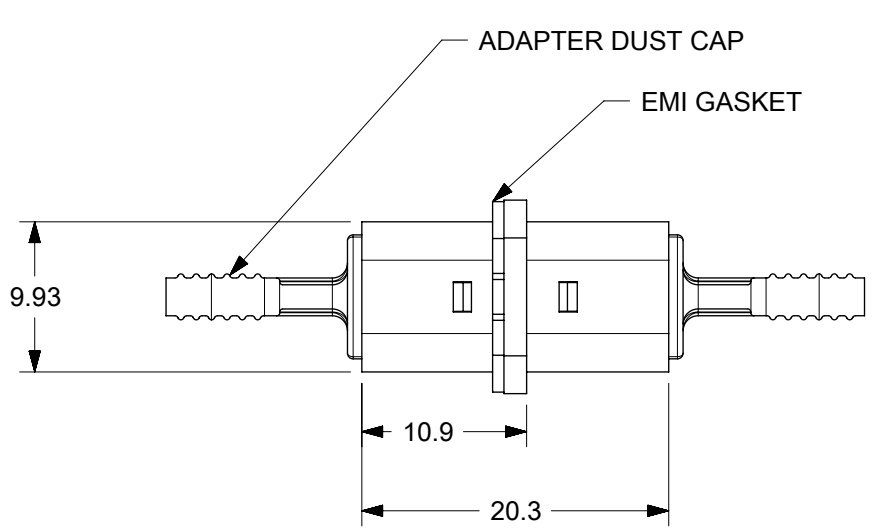
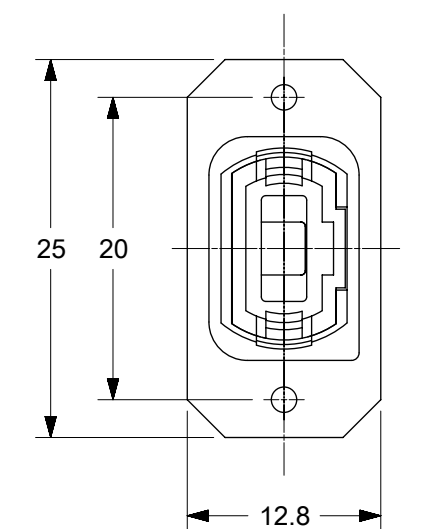
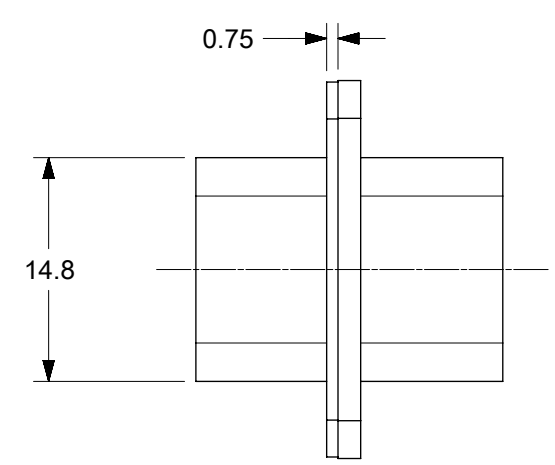
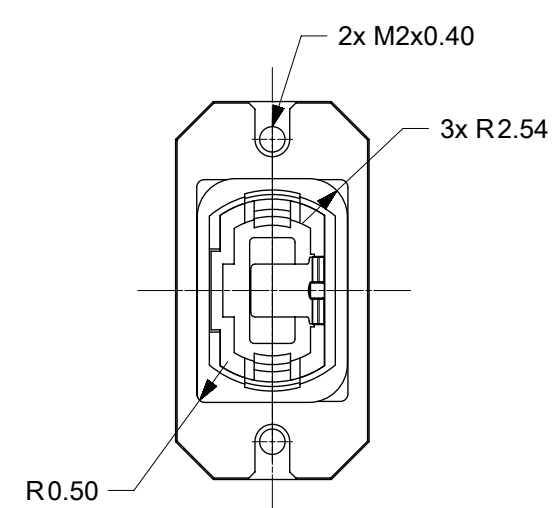
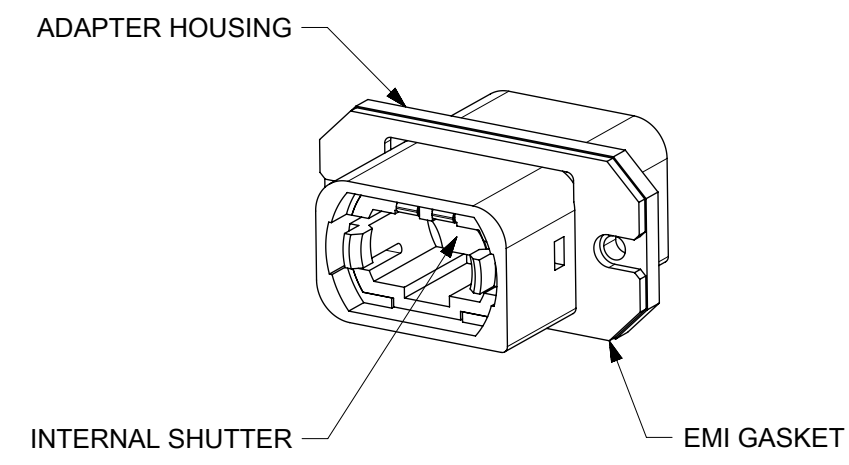


*VIEW A
SCALE 2:1



RECOMMENDED PANEL CUTOUT



- NOTES:
1. ALL DIMENSIONS ARE FOR REFERENCE ONLY.
 2. DUST CAP SHOWN IN TOP VIEW ONLY.
 3. MATERIAL:
ADAPTER HOUSING - DIECAST ALLOY
DUST CAP - TPE, PERMANENTLY ANTI-STATIC, COLOR - INDIGO BLUE.
 4. *VIEW A SHOWS TYPICAL FERRULE ORIENTATION. IT IS SHOWN FOR REFERENCE ONLY.

THIS DRAWING CONTAINS INFORMATION THAT IS PROPRIETARY TO MOLEX ELECTRONIC TECHNOLOGIES, LLC AND SHOULD NOT BE USED WITHOUT WRITTEN PERMISSION												
QUALITY SYMBOLS	EC NO: 113971	DRWN: DMILCHTEIN	CHKD: WCHEN	APPR: WCHEN	GENERAL TOLERANCES (UNLESS SPECIFIED)		DIMENSION UNITS	SCALE				
					4 PLACES	±	MM	2:1				
▽ = 0	2017/02/21	2017/03/02	ANGULAR TOL ±		DRWN BY	DATE	DMILCHTEIN		2016/04/13		MPO-MPO ADAPTER TAB UP/TAB UP	
▽ = 0			3 PLACES	±	CHK'D BY	DATE	DMILCHTEIN		2016/04/26			
▽ = 0			2 PLACES	±	APPR BY	DATE	WCHEN		2016/04/29			
▼ = 0			DRAFT WHERE APPLICABLE MUST REMAIN WITHIN DIMENSIONS		DRAWING SIZE	THIRD ANGLE PROJECTION	106114		1061141511		CUSTOMER	
▽ = 0			A1		B			DOCUMENT NUMBER		DOC TYPE	DOC PART	SHEET NUMBER
□ = 0							1061141511		PSD	000	1 OF 1	

X-ON Electronics

Largest Supplier of Electrical and Electronic Components

Click to view similar products for [Fibre Optic Connectors](#) category:

Click to view products by [Molex](#) manufacturer:

Other Similar products are found below :

[0004700001](#) [6100-R](#) [6313](#) [F709722200](#) [F709730000](#) [F718183204](#) [F727403500](#) [F727752800](#) [8119](#) [9440F20-27S-190](#) [944-120-6001](#)
[9441F10SL-3S](#) [9444W28-21S](#) [9444W36-10S](#) [9446F10SL-4S](#) [9446W20-16S](#) [953-101-5310-P](#) [954-101-57202B](#) [A0270169](#) [12-9122](#) [12-5702](#)
[AX101713](#) [AX102420](#) [AX103923](#) [AX104024](#) [AX104193](#) [AX104230](#) [AX104562](#) [AX105203-B25](#) [AX105205-S1](#) [EHSC2M](#) [17-300800](#)
[181-011-126](#) [181-011-S](#) [181-057-126](#) [NKSOPBUY](#) [20500002116](#) [2064996-1](#) [20800001065](#) [2170](#) [9132](#) [2612](#) [2620](#) [9291](#) [9440F16-10S](#)
[9440F20-18S](#) [9446F16-10S-190](#) [953-106-50231](#) [953-120-5003](#) [955-120-5110](#)