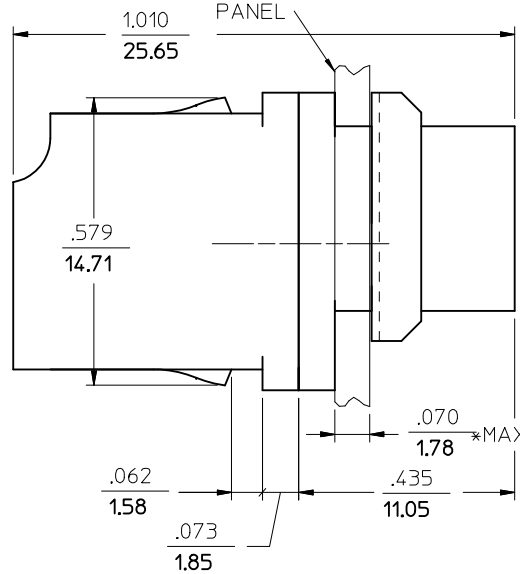
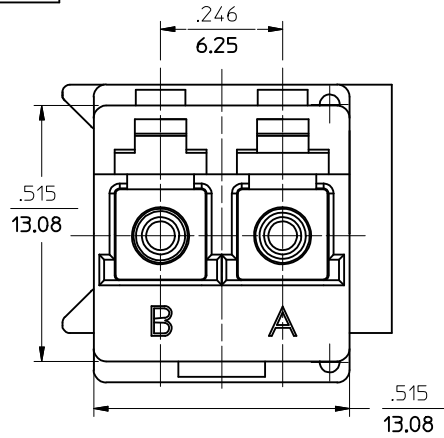
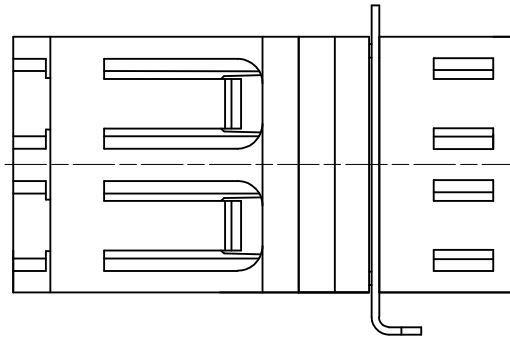
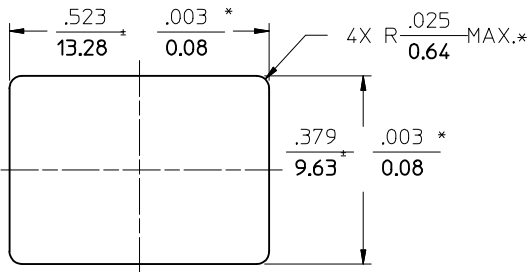
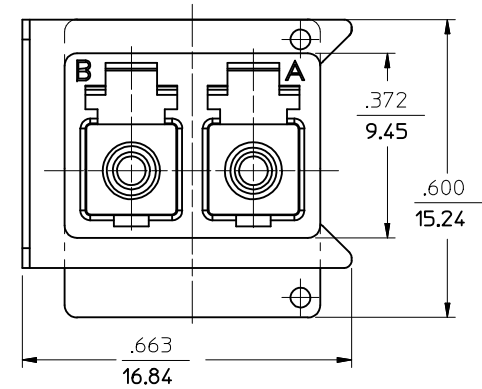


ADAPTER WITH RETAINER P/N	COLOR	SPLIT SLEEVE MATERIAL
106125-1200	BLUE	ZIRCONIA - ZrO ₂
106125-0210	BEIGE	Ph. Bronze
106125-1250	GREEN	ZIRCONIA - ZrO ₂
106125-0200	BLUE	Ph. Bronze
106125-1210	BEIGE	ZIRCONIA - ZrO ₂



(DUST CAPS ARE NOT SHOWN)



NOTES:
1. ALL DIMENSIONS ARE FOR REFERENCE ONLY, EXCEPT WHEN MARKED WITH (*).

RECOMMENDED PANEL CUTOUT
PANEL THICKNESS $\frac{.070}{1.78}$ MAX.

ENTER DESCRIPTION EC NO: MF2013-0244 DRW:MKPEVZNER 2012/10/29 CHKD: APPR:IGUMIN 2012/10/31 A1	QUALITY SYMBOLS ▽=0 ▽=0	GENERAL TOLERANCES (UNLESS SPECIFIED) mm INCH 4 PLACES ± --- ± --- 3 PLACES ± --- ± --- 2 PLACES ± --- ± --- 1 PLACE ± --- ± --- 0 PLACE ± ±	DIMENSION STYLE IN/MM DRAWN BY PGIBLIN DATE 2005/10/03 CHECKED BY DATE APPROVED BY DATE	SCALE 4:1 DESIGN UNITS INCH THIRD ANGLE PROJECTION	TITLE LC DUPLEX ADAPTER, LOW PROFILE, WITH RETAINER molex	MATERIAL NO. SEE TABLE DOCUMENT NO. SD-106125-X2X0 SHEET NO. 1 OF 1
	ANGULAR ±1/2° DRAFT WHERE APPLICABLE MUST REMAIN WITHIN DIMENSIONS		THIS DRAWING CONTAINS INFORMATION THAT IS PROPRIETARY TO MOLEX INCORPORATED AND SHOULD NOT BE USED WITHOUT WRITTEN PERMISSION			

X-ON Electronics

Largest Supplier of Electrical and Electronic Components

Click to view similar products for [Fibre Optic Connectors](#) category:

Click to view products by [Molex](#) manufacturer:

Other Similar products are found below :

[0004700001](#) [6100-R](#) [6313](#) [F709722200](#) [F709730000](#) [F718183204](#) [F727403500](#) [F727752800](#) [8119](#) [9440F20-27S-190](#) [944-120-6001](#)
[9441F10SL-3S](#) [9444W28-21S](#) [9444W36-10S](#) [9446F10SL-4S](#) [9446W20-16S](#) [953-101-5310-P](#) [954-101-57202B](#) [A0270169](#) [12-9122](#) [12-5702](#)
[AX101713](#) [AX102420](#) [AX103923](#) [AX104024](#) [AX104193](#) [AX104230](#) [AX104562](#) [AX105203-B25](#) [AX105205-S1](#) [EHSC2M](#) [17-300800](#)
[181-011-126](#) [181-011-S](#) [181-057-126](#) [NKSOPBUY](#) [20500002116](#) [2064996-1](#) [20800001065](#) [2170](#) [9132](#) [2612](#) [2620](#) [9291](#) [9440F16-10S](#)
[9440F20-18S](#) [9446F16-10S-190](#) [953-106-50231](#) [953-120-5003](#) [955-120-5110](#)