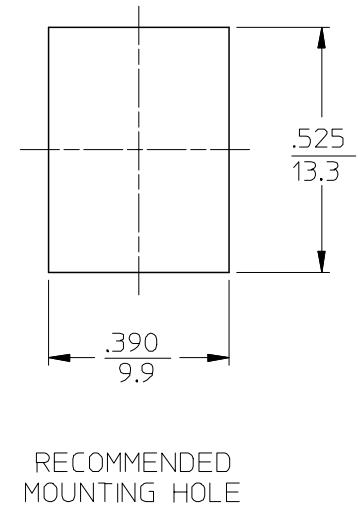
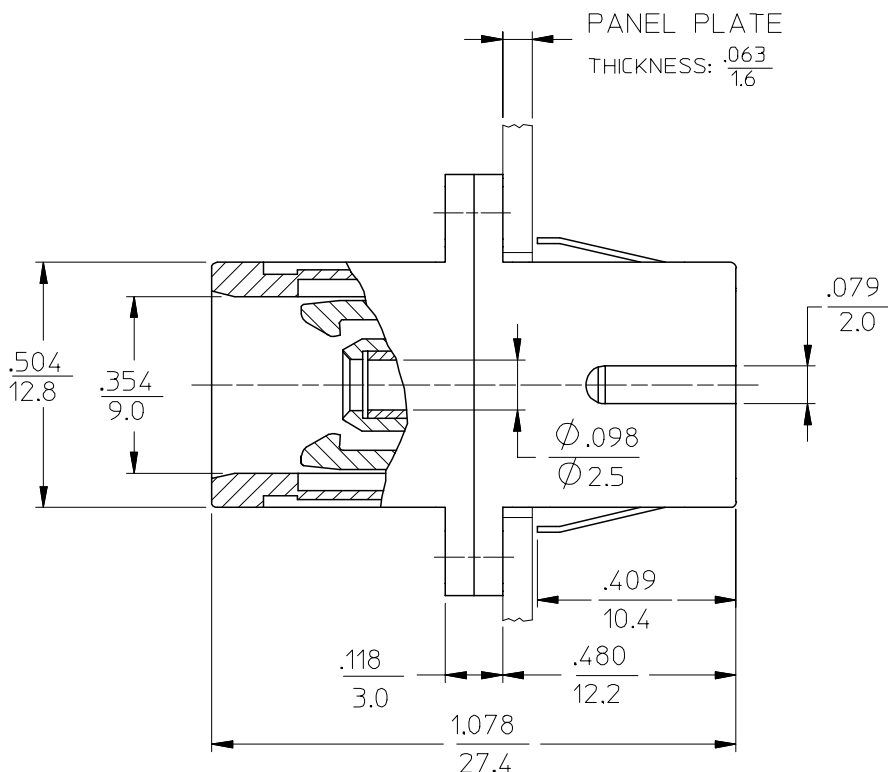
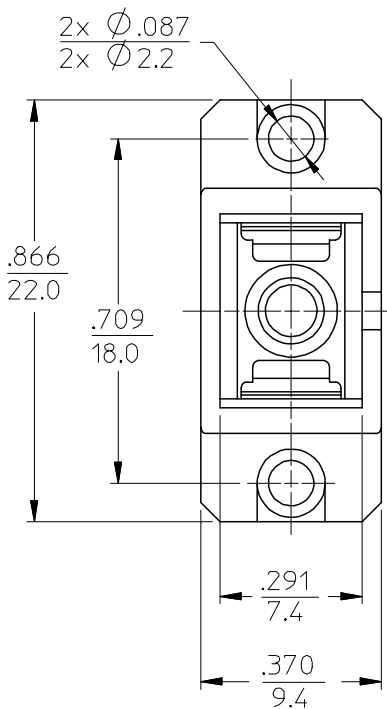


10 9 8 7 6 5 4 3 2 106160

ADAPTER P/N	SPRING LEVER COLOR	MATERIAL OF SLEEVE	SHELL COLOR
106160-0000	BLUE	PHOSPHOR BRONZE Zr,	BLUE
106160-0000		LOW COST	
106160-0100*			
106160-1000	BLACK	PHOSPHOR BRONZE Zr	RED
106161-1000			
106160-2000		PHOSPHOR BRONZE Zr	BLACK
106161-2000			
106160-3000	BLUE	PHOSPHOR BRONZE Zr,	GREEN
106160-3100*		LOW COST	
106161-3000			
106161-3100*			
106160-5000	BLACK	PHOSPHOR BRONZE Zr	BEIGE
106161-5000			



NOTES:  
 1. DUST CAPS ARE NOT SHOWN BUT INCLUDED.  
 \*2. P/Ns 106160-3100, 106161-0100 AND 106161-3100 ARE BULK PACKED IN QUANTITIES OF 100 pcs.  
 3. ALL MATERIALS USED IN ADAPTER MEET UL94 V-0.

ENTER DESCRIPTION EC NO: MF2007-0737 DRWN:KPEVNER CHKD: APPR:IGUMIN 2007/05/30 2007/05/30 2007/05/30	QUALITY SYMBOLS	GENERAL TOLERANCES (UNLESS SPECIFIED)	DIMENSION STYLE	SCALE	DESIGN UNITS	THIRD ANGLE PROJECTION	
	▽=0 ▽=0	4 PLACES ± --- ± --- 3 PLACES ± --- ± --- 2 PLACES ± --- ± --- 1 PLACE ± --- ± --- ANGULAR ±1/2°	IN/MM	4:1	INCH		
			DRAWN BY: RPACIFICI CHECKED BY: APPROVED BY:	DATE: 2005/12/22 DATE: DATE:	TITLE: SC TYPE ADAPTER		
	REV: B2		DRAFT WHERE APPLICABLE MUST REMAIN WITHIN DIMENSIONS	MATERIAL NO. SEE TABLE	DOCUMENT NO. SD-10616X-X000	MOLEX INCORPORATED SHEET NO. 1 OF 01	

9 8 7 6 5 4 3 2 1

## X-ON Electronics

Largest Supplier of Electrical and Electronic Components

*Click to view similar products for [Fibre Optic Connectors](#) category:*

*Click to view products by [Molex](#) manufacturer:*

Other Similar products are found below :

[0004700001](#) [6100-R](#) [6313](#) [F709722200](#) [F709730000](#) [F718183204](#) [F727403500](#) [F727752800](#) [8119](#) [9440F20-27S-190](#) [944-120-6001](#)  
[9441F10SL-3S](#) [9444W28-21S](#) [9444W36-10S](#) [9446F10SL-4S](#) [9446W20-16S](#) [953-101-5310-P](#) [954-101-57202B](#) [A0270169](#) [12-9122](#) [12-5702](#)  
[AX101713](#) [AX102420](#) [AX103923](#) [AX104024](#) [AX104193](#) [AX104230](#) [AX104562](#) [AX105203-B25](#) [AX105205-S1](#) [EHSC2M](#) [17-300800](#)  
[181-011-126](#) [181-011-S](#) [181-057-126](#) [NKSOPBUY](#) [20500002116](#) [2064996-1](#) [20800001065](#) [2170](#) [9132](#) [2612](#) [2620](#) [9291](#) [9440F16-10S](#)  
[9440F20-18S](#) [9446F16-10S-190](#) [953-106-50231](#) [953-120-5003](#) [955-120-5110](#)