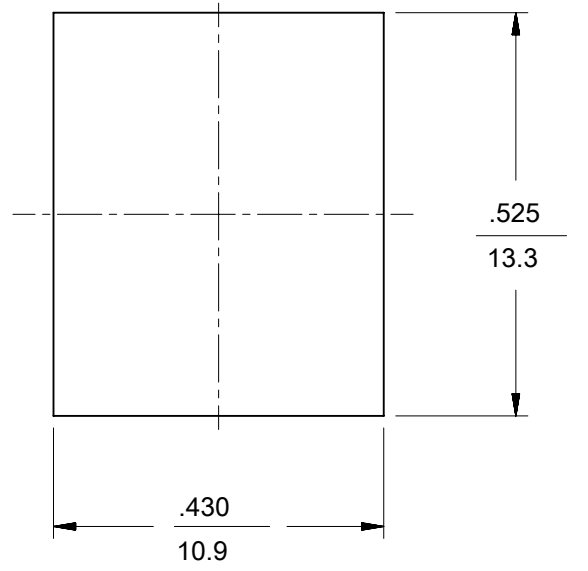
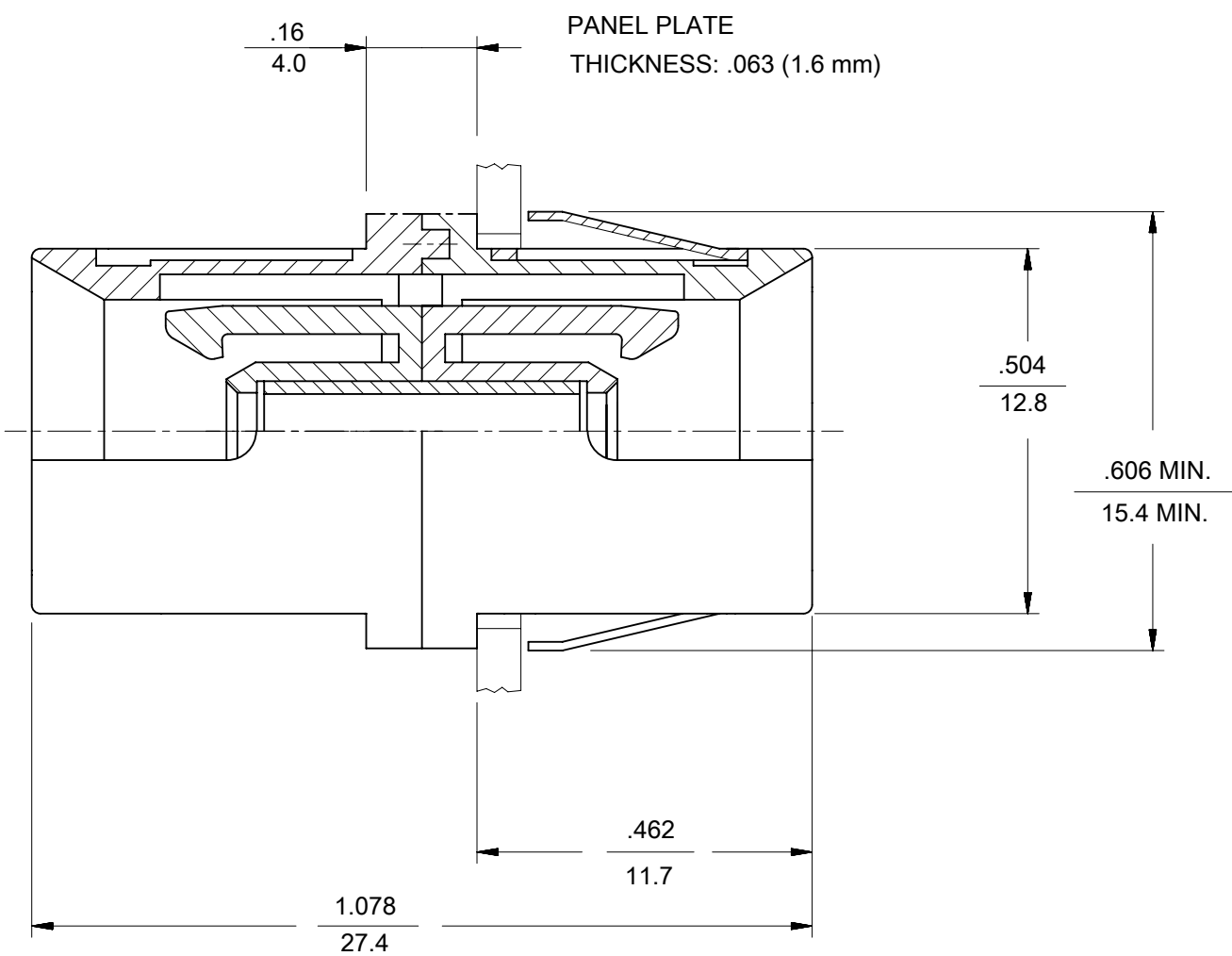
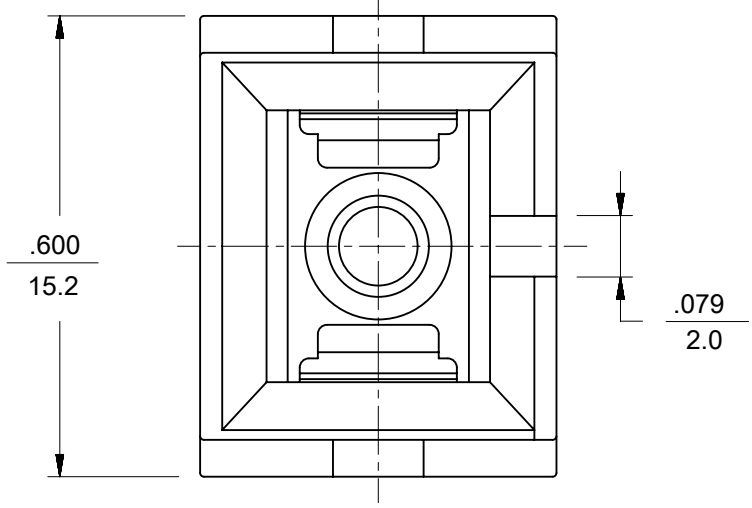
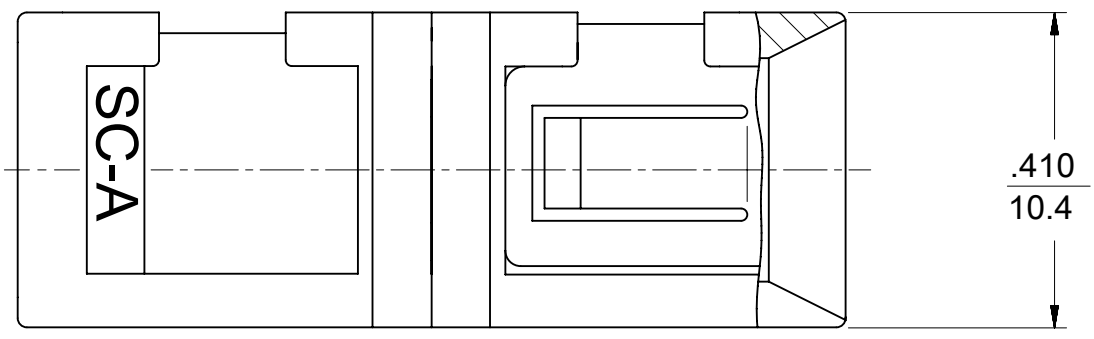


P/N OF ADAPTER	MATERIAL OF SPLIT SLEEVE	COLOR OF ADAPTER SHELL
106171-0100	PHOSPHOR BRONZE	BLACK
106170-0120	CERAMIC	GREEN
106171-1120*	PHOSPHOR BRONZE	
106170-0130	CERAMIC	RED
106171-0130	PHOSPHOR BRONZE	
106170-0150	CERAMIC	BLUE
106170-0153*		
106171-0150	PHOSPHOR BRONZE	



- NOTES:
- DUST CAPS ARE NOT SHOWN BUT INCLUDED.
  - \*2. P/Ns 106171-1120 AND 106170-0153 ARE BULK PACKED ADAPTER KITS OF 100 PCS.
  3. PLASTICS USED IN ADAPTERS ARE UL-94 V-0 RATED.

THIS DRAWING CONTAINS INFORMATION THAT IS PROPRIETARY TO MOLEX ELECTRONIC TECHNOLOGIES, LLC AND SHOULD NOT BE USED WITHOUT WRITTEN PERMISSION									
DIMENSION UNITS		SCALE		CURRENT REV DESC:					
IN/MM		4:1		<p><b>molex</b></p> <p>SC SMALL FLANGE ADAPTER</p> <p>PRODUCT CUSTOMER DRAWING</p> <p>EC NO: 624787  DRWN: VLOKESHA 2019/05/20  CHK'D: GGA 2019/11/11  APPR: GGA 2019/11/11</p> <p>INITIAL REVISION:  DRWN: RPACIFICI 2005/10/11  APPR:</p>					
GENERAL TOLERANCES (UNLESS SPECIFIED)									
	MM	INCH							
4 PLACES	±	±							
3 PLACES	±	±							
2 PLACES	±	±							
1 PLACE	±	±							
0 PLACES	±	±							
ANGULAR TOL ± 0.5°				THIRD ANGLE PROJECTION		DRAWING		SERIES	
DRAFT WHERE APPLICABLE MUST REMAIN WITHIN DIMENSIONS				B-SIZE		106170		MATERIAL NUMBER	
				SEE TABLE		CUSTOMER		SHEET NUMBER	
				GENERAL MARKET		1 OF 1		DOCUMENT NUMBER	
								SD-10617X-01X0	
								DOC TYPE	
								PSD	
								DOC PART	
								001	
								REVISION	
								B1	

## X-ON Electronics

Largest Supplier of Electrical and Electronic Components

*Click to view similar products for [Fibre Optic Connectors](#) category:*

*Click to view products by [Molex](#) manufacturer:*

Other Similar products are found below :

[0004700001](#) [6100-R](#) [6313](#) [F709722200](#) [F709730000](#) [F718183204](#) [F727403500](#) [F727752800](#) [8119](#) [9440F20-27S-190](#) [944-120-6001](#)  
[9441F10SL-3S](#) [9444W28-21S](#) [9444W36-10S](#) [9446F10SL-4S](#) [9446W20-16S](#) [953-101-5310-P](#) [954-101-57202B](#) [A0270169](#) [12-9122](#) [12-5702](#)  
[AX101713](#) [AX102420](#) [AX103923](#) [AX104024](#) [AX104193](#) [AX104230](#) [AX104562](#) [AX105203-B25](#) [AX105205-S1](#) [EHSC2M](#) [17-300800](#)  
[181-011-126](#) [181-011-S](#) [181-057-126](#) [NKSOPBUY](#) [20500002116](#) [2064996-1](#) [20800001065](#) [2170](#) [9132](#) [2612](#) [2620](#) [9291](#) [9440F16-10S](#)  
[9440F20-18S](#) [9446F16-10S-190](#) [953-106-50231](#) [953-120-5003](#) [955-120-5110](#)