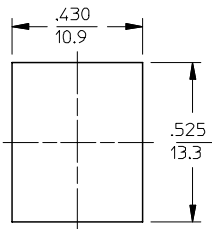
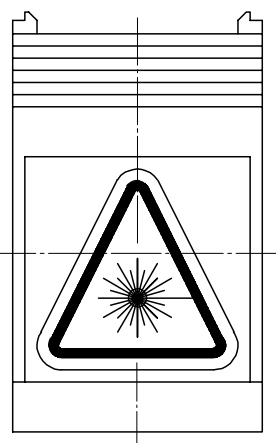


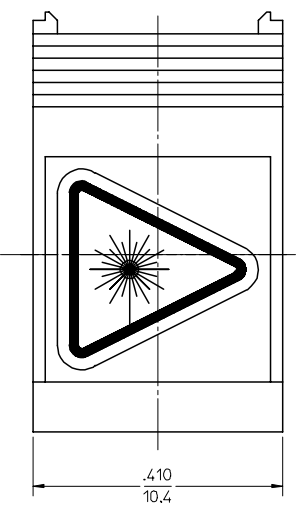
ADAPTER P/N	SPLIT SLEEVE MATERIAL	ADAPTER COLOR	METALIZED SHIELD
106170-0500	CERAMIC	BLACK	NO
106170-0520		GREEN	
106170-0529*		RED	
106170-0530		BLUE	
106170-0550		BEIGE	
106170-0554*		METALIZED	
106171-0500	PHOSPHOR BRONZE	BLACK	NO
106171-0520		GREEN	
106171-0530		RED	
106171-0550		BLUE	
106171-0551			
106171-0570			YES



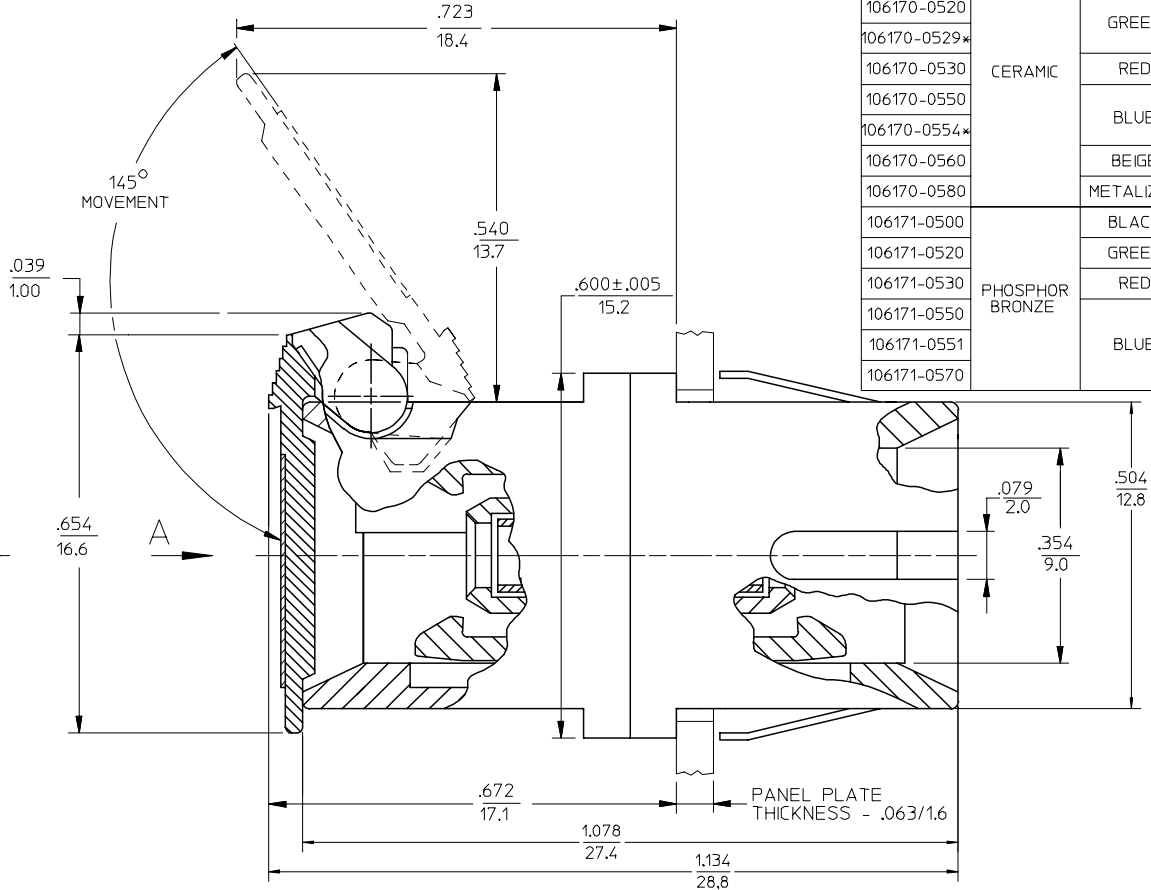
RECOMMENDED MOUNTING HOLE (SCALE 1:4)



VIEW A  
VERSION 2



VIEW A  
VERSION 1



- NOTES:
1. LABEL MUST BE INSTALLED AND ORIENTED BY CUSTOMER (SEE VIEW A).
  2. DUST CAP IS NOT SHOWN, BUT INCLUDED.
  - \*3. P/NS 106170-0529, 106170-0554 AND 106171-0551 ARE BULK PACKED IN QUANTITIES OF 100 PCS.

ENTER DESCRIPTION EC NO: MF2008-0173 DRWN: JSZENCZYK 2007/10/25 CHKD: 2007/10/25 APPR: IGUMIN 2007/10/25	QUALITY SYMBOLS ▽=0 ▽=0	GENERAL TOLERANCES (UNLESS SPECIFIED) <table border="1"> <thead> <tr> <th></th> <th>mm</th> <th>INCH</th> </tr> </thead> <tbody> <tr> <td>4 PLACES</td> <td>± ---</td> <td>± ---</td> </tr> <tr> <td>3 PLACES</td> <td>± ---</td> <td>± ---</td> </tr> <tr> <td>2 PLACES</td> <td>± ---</td> <td>± ---</td> </tr> <tr> <td>1 PLACE</td> <td>± ---</td> <td>± ---</td> </tr> </tbody> </table> ANGULAR ±1/2°		mm	INCH	4 PLACES	± ---	± ---	3 PLACES	± ---	± ---	2 PLACES	± ---	± ---	1 PLACE	± ---	± ---	DIMENSION STYLE IN/MM DRAWN BY: RPACIFICI DATE: 2005/10/13 CHECKED BY: DATE:	SCALE: 5:1 DESIGN UNITS: INCH THIRD ANGLE PROJECTION	TITLE: SC ADAPTER, SMALL FLANGE WITH SHUTTER
		mm	INCH																	
	4 PLACES	± ---	± ---																	
	3 PLACES	± ---	± ---																	
2 PLACES	± ---	± ---																		
1 PLACE	± ---	± ---																		
MATERIAL NO.: SEE TABLE DOCUMENT NO.: SD-1061XX-05X0	SHEET NO.: 1 OF 01	MOLEX INCORPORATED																		
DRAFT WHERE APPLICABLE MUST REMAIN WITHIN DIMENSIONS		THIS DRAWING CONTAINS INFORMATION THAT IS PROPRIETARY TO MOLEX INCORPORATED AND SHOULD NOT BE USED WITHOUT WRITTEN PERMISSION																		
SIZE B																				

## X-ON Electronics

Largest Supplier of Electrical and Electronic Components

*Click to view similar products for [Fibre Optic Connectors](#) category:*

*Click to view products by [Molex](#) manufacturer:*

Other Similar products are found below :

[0004700001](#) [6100-R](#) [6313](#) [F709722200](#) [F709730000](#) [F718183204](#) [F727403500](#) [F727752800](#) [8119](#) [9440F20-27S-190](#) [944-120-6001](#)  
[9441F10SL-3S](#) [9444W28-21S](#) [9444W36-10S](#) [9446F10SL-4S](#) [9446W20-16S](#) [953-101-5310-P](#) [954-101-57202B](#) [A0270169](#) [12-9122](#) [12-5702](#)  
[AX101713](#) [AX102420](#) [AX103923](#) [AX104024](#) [AX104193](#) [AX104230](#) [AX104562](#) [AX105203-B25](#) [AX105205-S1](#) [EHSC2M](#) [17-300800](#)  
[181-011-126](#) [181-011-S](#) [181-057-126](#) [NKSOPBUY](#) [20500002116](#) [2064996-1](#) [20800001065](#) [2170](#) [9132](#) [2612](#) [2620](#) [9291](#) [9440F16-10S](#)  
[9440F20-18S](#) [9446F16-10S-190](#) [953-106-50231](#) [953-120-5003](#) [955-120-5110](#)