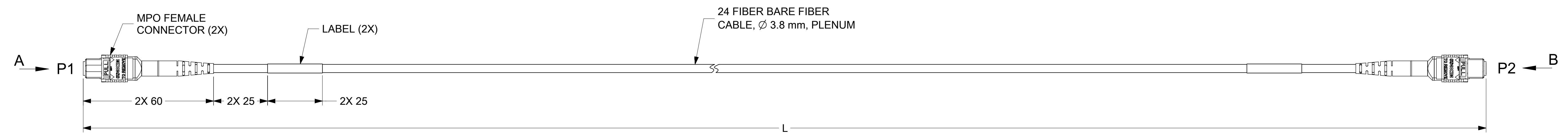
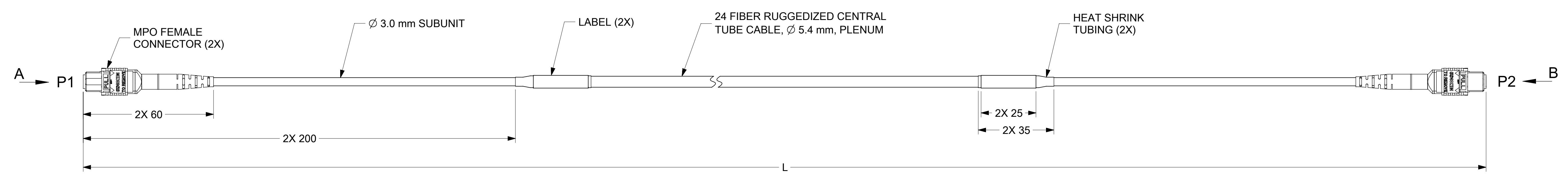


TRUNK CABLE P/N	OVERALL LENGTH, L (m)	CABLE TYPE	FIBER TYPE	CONNECTOR/CABLE COLOR	INSERTION LOSS	RETURN LOSS
1062250061	1.0 +0.2 / -0	SINGLE JACKET	MM 50/125 μm OM3 BIF	AQUA / AQUA	0.5 dB @ 850 nm	---
1062250062	3.0 +0.2 / -0					
1062250063	5.0 +0.2 / -0					
1062250013	10.0 +0.2 / -0					
1062250064	15.0 +0.3 / -0					
1062250014	25.0 +0.5 / -0	RUGGEDIZED DUAL JACKET	MM 50/125 μm OM3 BIF	AQUA / AQUA	0.5 dB @ 850 nm	---
1062250015	50.0 +1.0 / -0					
1062250016	100.0 +2.0 / -0					
1062250065	1.0 +0.2 / -0	SINGLE JACKET	MM 50/125 μm OM4 BIF	AQUA / AQUA	0.5 dB @ 850 nm	---
1062250066	3.0 +0.2 / -0					
1062250067	5.0 +0.2 / -0					
1062250017	10.0 +0.2 / -0					
1062250068	15.0 +0.3 / -0					
1062250018	25.0 +0.5 / -0	RUGGEDIZED DUAL JACKET	MM 50/125 μm OM4 BIF	AQUA / AQUA	0.5 dB @ 850 nm	---
1062250019	50.0 +1.0 / -0					
1062250020	100.0 +2.0 / -0					
1062250069	1.0 +0.2 / -0	SINGLE JACKET	SM 9/125 μm OS2 ITU-T G.657.A1 BIF	YELLOW / YELLOW	0.5 dB @ 1550 nm	- 50 dB @ 1550 nm
1062250070	3.0 +0.2 / -0					
1062250071	5.0 +0.2 / -0					
1062250021	10.0 +0.2 / -0					
1062250072	15.0 +0.3 / -0					
1062250022	25.0 +0.5 / -0	RUGGEDIZED DUAL JACKET	SM 9/125 μm OS2 ITU-T G.657.A1 BIF	YELLOW / YELLOW	0.5 dB @ 1550 nm	- 50 dB @ 1550 nm
1062250023	50.0 +1.0 / -0					
1062250024	100.0 +2.0 / -0					

CONNECTIONS	
FROM	TO
P1-1 THRU P1-12	P2-13 THRU P2-24
P1-13 THRU P1-24	P2-1 THRU P2-12

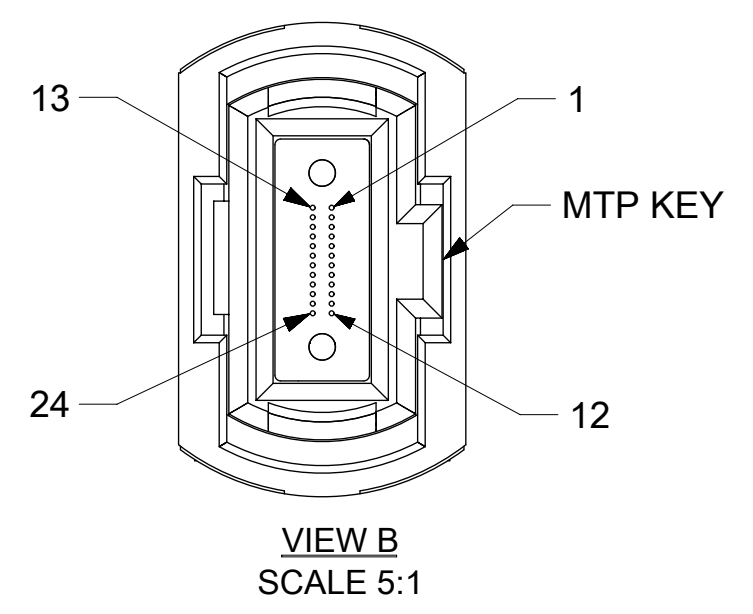
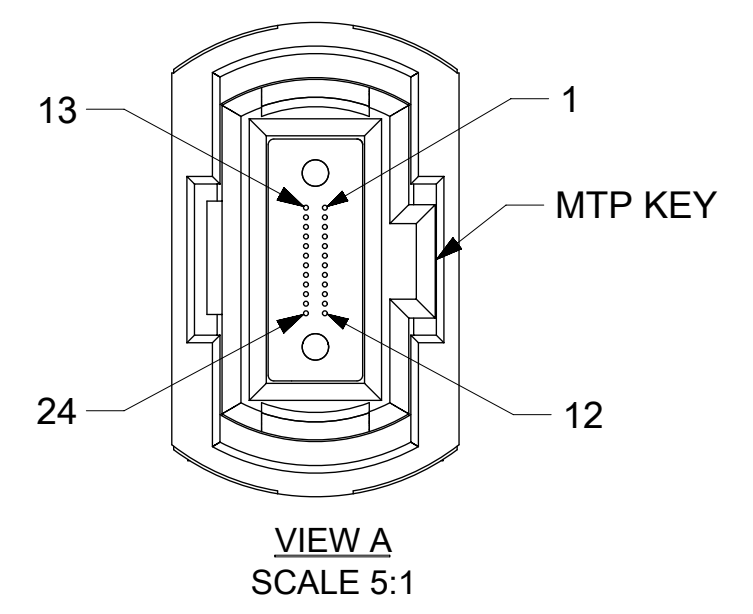


**SINGLE JACKET**



**RUGGEDIZED DUAL JACKET**

- NOTES:**
1. ENDCAPS ARE NOT SHOWN BUT INLCUDED.
  2. LABEL IS PRINTED WITH MOLEX P/N AND SERIAL NUMBER.
  3. FOR DETAILED PRODUCT SPECIFICATION SEE DOCUMENT 1062250000 ES.
  4. CABLE CONSTRUCTION:
    - L < 25 meters - SINGLE JACKET CABLE
    - L ≥ 25 meters - RUGGEDIZED CENTRAL TUBE CABLE
  5. INSERTION LOSS TEST DATA IS PROVIDED WITH EACH SHIPMENT.
  6. PACKAGING:
    - L < 50 meters - INDIVIDUALLY COILED AND BAGGED
    - L ≥ 50 meters - SHIPPED ON SPOOLS



<b>QUALITY SYMBOLS</b> F = 0 E = 0 E = 0 = 0 = 0 = 0 = 0 = 0 = 0	THIS DRAWING CONTAINS INFORMATION THAT IS PROPRIETARY TO MOLEX ELECTRONIC TECHNOLOGIES, LLC AND SHOULD NOT BE USED WITHOUT WRITTEN PERMISSION		DIMENSION UNITS <b>mm</b>	SCALE <b>1:1</b>			
	EC NO: 609905 DRWN: IGUMIN CHKD: GGENCHANOK REV APPR: GGENCHANOK	2019/01/03 2019/01/03 2019/01/03	GENERAL TOLERANCES (UNLESS SPECIFIED) ANGULAR TOL ± ° 4 PLACES ± 3 PLACES ± 2 PLACES ± 1 PLACE ± 0 PLACES ± DRAFT WHERE APPLICABLE MUST REMAIN WITHIN DIMENSIONS	DRWN BY <b>IGUMIN</b>		DATE <b>2017/02/16</b>	<b>MPO(F) TO MPO(F) TRUNK CABLE, 24 FIBER, PLENUM</b>
			CHKD BY <b>IGUMIN</b>	DATE <b>2017/03/21</b>		PRODUCT CUSTOMER DRAWING	
	<b>B2</b>		DRAWING SIZE <b>D</b>	THIRD ANGLE PROJECTION		SERIES <b>106225</b>	
RELEASE STATUS <b>P1</b>	RELEASE DATE <b>2019/01/03 22:37:22</b>	DOCUMENT NUMBER <b>1062250013</b>	DOC TYPE <b>PSD</b>	DOC PART <b>000</b>	SHEET NUMBER <b>1 OF 1</b>		

## X-ON Electronics

Largest Supplier of Electrical and Electronic Components

*Click to view similar products for [Fibre Optic Cable Assemblies](#) category:*

*Click to view products by [Molex](#) manufacturer:*

Other Similar products are found below :

[7-21002-9](#) [760-1518](#) [FA04390-50-M-72-LC-N](#) [MLB 501 V RED](#) [MLB 501 V YELLOW](#) [1-3636-600-5208](#) [2061529-7](#) [1-6693182-0](#)  
[1754898-1](#) [21055-6](#) [FXBSCSCE2LM002](#) [3000005](#) [3-21053-2](#) [MLB 200/1 V BLACK](#) [5492011-6](#) [106284-7000](#) [5492011-5](#) [5492011-8](#)  
[5492011-9](#) [8-21007-5](#) [2123524-2](#) [2123524-1](#) [106386-4447](#) [DFSM-SCSC-2M](#) [2123909-4](#) [2123909-8](#) [106273-0629](#) [2125046-1](#) [2821236-3](#)  
[2821310-2](#) [2821310-3](#) [2821313-4](#) [FX2ERLNLNSNM0.5](#) [CF-980062-074](#) [CF-901200-394](#) [CF-980062-073](#) [CF-980062-071](#) [CF-980062-075](#)  
[CF-980062-072](#) [17-300310-100](#) [2821236-2](#) [2821313-1](#) [G-FC-FC-S-002.0-DX-A-18-Y](#) [G-E2A-E2A-S-003.0-SX-A-18-Y](#) [956-322-502214](#)  
[FA04474](#) [1083665](#) [1111540](#) [1111843](#) [1115533](#)