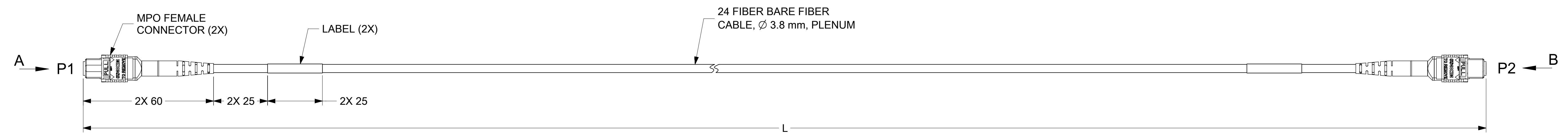
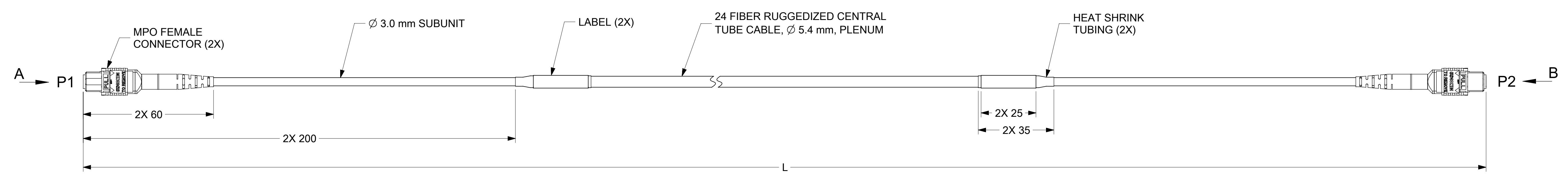


TRUNK CABLE P/N	OVERALL LENGTH, L (m)	CABLE TYPE	FIBER TYPE	CONNECTOR/CABLE COLOR	INSERTION LOSS	RETURN LOSS
1062250061	1.0 +0.2 / -0	SINGLE JACKET	MM 50/125 μm OM3 BIF	AQUA / AQUA	0.5 dB @ 850 nm	---
1062250062	3.0 +0.2 / -0					
1062250063	5.0 +0.2 / -0					
1062250013	10.0 +0.2 / -0					
1062250064	15.0 +0.3 / -0					
1062250014	25.0 +0.5 / -0	RUGGEDIZED DUAL JACKET	MM 50/125 μm OM3 BIF	AQUA / AQUA	0.5 dB @ 850 nm	---
1062250015	50.0 +1.0 / -0					
1062250016	100.0 +2.0 / -0					
1062250065	1.0 +0.2 / -0	SINGLE JACKET	MM 50/125 μm OM4 BIF	AQUA / AQUA	0.5 dB @ 850 nm	---
1062250066	3.0 +0.2 / -0					
1062250067	5.0 +0.2 / -0					
1062250017	10.0 +0.2 / -0					
1062250068	15.0 +0.3 / -0					
1062250018	25.0 +0.5 / -0	RUGGEDIZED DUAL JACKET	MM 50/125 μm OM4 BIF	AQUA / AQUA	0.5 dB @ 850 nm	---
1062250019	50.0 +1.0 / -0					
1062250020	100.0 +2.0 / -0					
1062250069	1.0 +0.2 / -0	SINGLE JACKET	SM 9/125 μm OS2 ITU-T G.657.A1 BIF	YELLOW / YELLOW	0.5 dB @ 1550 nm	- 50 dB @ 1550 nm
1062250070	3.0 +0.2 / -0					
1062250071	5.0 +0.2 / -0					
1062250021	10.0 +0.2 / -0					
1062250072	15.0 +0.3 / -0					
1062250022	25.0 +0.5 / -0	RUGGEDIZED DUAL JACKET	SM 9/125 μm OS2 ITU-T G.657.A1 BIF	YELLOW / YELLOW	0.5 dB @ 1550 nm	- 50 dB @ 1550 nm
1062250023	50.0 +1.0 / -0					
1062250024	100.0 +2.0 / -0					

CONNECTIONS	
FROM	TO
P1-1 THRU P1-12	P2-13 THRU P2-24
P1-13 THRU P1-24	P2-1 THRU P2-12

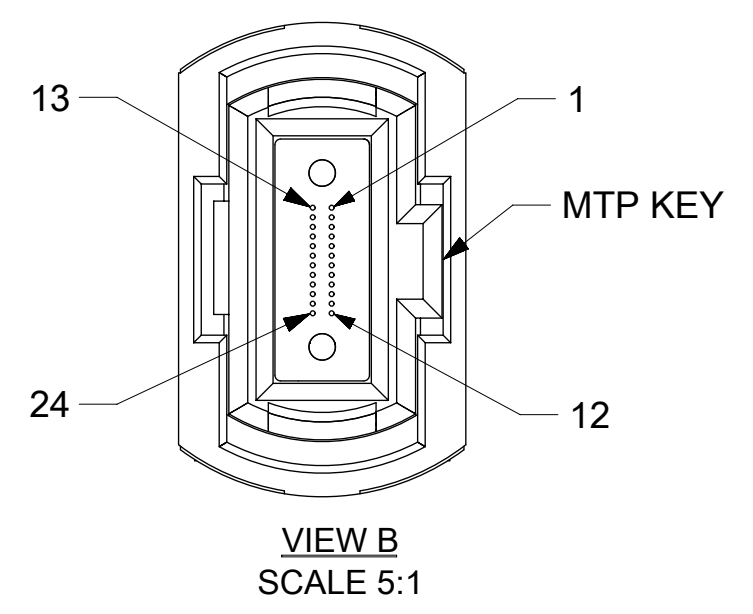
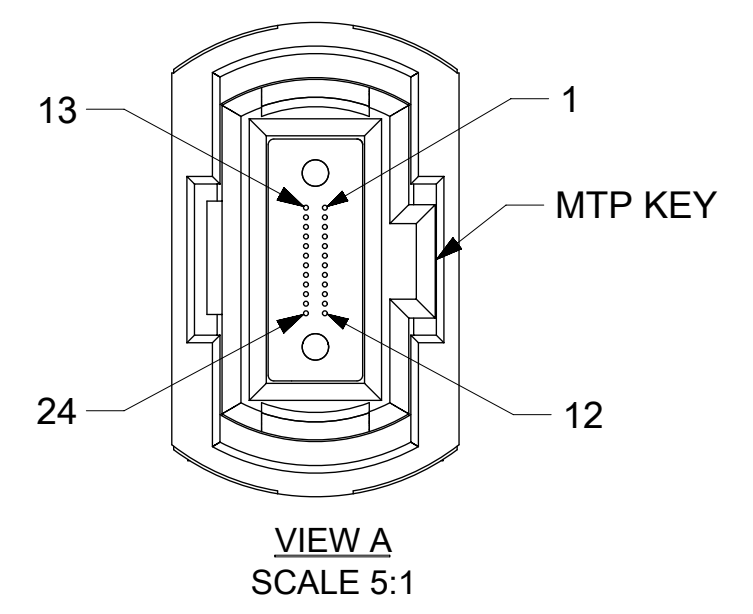


SINGLE JACKET



RUGGEDIZED DUAL JACKET

- NOTES:
1. ENDCAPS ARE NOT SHOWN BUT INLCUDED.
 2. LABEL IS PRINTED WITH MOLEX P/N AND SERIAL NUMBER.
 3. FOR DETAILED PRODUCT SPECIFICATION SEE DOCUMENT 1062250000 ES.
 4. CABLE CONSTRUCTION:
 - L < 25 meters - SINGLE JACKET CABLE
 - L ≥ 25 meters - RUGGEDIZED CENTRAL TUBE CABLE
 5. INSERTION LOSS TEST DATA IS PROVIDED WITH EACH SHIPMENT.
 6. PACKAGING:
 - L < 50 meters - INDIVIDUALLY COILED AND BAGGED
 - L ≥ 50 meters - SHIPPED ON SPOOLS



THIS DRAWING CONTAINS INFORMATION THAT IS PROPRIETARY TO MOLEX ELECTRONIC TECHNOLOGIES, LLC AND SHOULD NOT BE USED WITHOUT WRITTEN PERMISSION									
QUALITY SYMBOLS	EC NO: 609905 DRWN: IGUMIN CHKD: GGENCHANOK REV APPR: GGENCHANOK	GENERAL TOLERANCES (UNLESS SPECIFIED)		DIMENSION UNITS	SCALE				
		ANGULAR TOL ± °		mm	1:1				
▽ = 0	DRWN BY: IGUMIN DATE: 2019/01/03 CHKD BY: GGENCHANOK DATE: 2019/01/03 APPR BY: GGENCHANOK DATE: 2019/01/03	4 PLACES ±	IGUMIN	2017/02/16	MPO(F) TO MPO(F) TRUNK CABLE, 24 FIBER, PLENUM				
▽ = 0		3 PLACES ±	CHKD BY	DATE					
▽ = 0		2 PLACES ±	APPR BY	DATE	PRODUCT CUSTOMER DRAWING				
▽ = 0		1 PLACE ±	IGUMIN	2017/03/21					
▽ = 0		0 PLACES ±	DRAWING SIZE	THIRD ANGLE PROJECTION	SERIES	MATERIAL NUMBER	CUSTOMER		
□ = 0	DRAFT WHERE APPLICABLE MUST REMAIN WITHIN DIMENSIONS	D		106225	SEE TABLE				
■ = 0				DOCUMENT NUMBER	DOC TYPE	DOC PART	SHEET NUMBER		
▽ = 0				1062250013	PSD	000	1 OF 1		

X-ON Electronics

Largest Supplier of Electrical and Electronic Components

Click to view similar products for [Fibre Optic Cable Assemblies](#) category:

Click to view products by [Molex](#) manufacturer:

Other Similar products are found below :

[7-21002-9](#) [760-1518](#) [FA04390-50-M-72-LC-N](#) [MLB 501 V RED](#) [MLB 501 V YELLOW](#) [1-3636-600-5208](#) [2061529-7](#) [1-6693182-0](#)
[1754898-1](#) [21055-6](#) [FXBSCSCE2LM002](#) [3-21053-2](#) [MLB 200/1 V BLACK](#) [MLB 2001 V RED](#) [MLB 2001 V YELLOW](#) [MLB 501 V](#)
[BLACK](#) [5492011-6](#) [106284-7000](#) [5492011-5](#) [5492011-8](#) [5492011-9](#) [8-21007-5](#) [2123524-2](#) [2123524-1](#) [106386-4447](#) [DFSM-SCSC-2M](#)
[2123909-4](#) [2123909-8](#) [106273-0629](#) [2125046-1](#) [2821236-3](#) [2821310-2](#) [2821310-3](#) [2821313-4](#) [FX2ERLNLNSNM0.5](#) [CF-980062-074](#) [CF-](#)
[901200-394](#) [CF-980062-073](#) [CF-980062-071](#) [CF-980062-075](#) [CF-980062-072](#) [17-300310-100](#) [2821236-2](#) [2821313-1](#) [G-FC-FC-S-002.0-DX-](#)
[A-18-Y](#) [G-E2A-E2A-S-003.0-SX-A-18-Y](#) [956-322-502214](#) [FA04474](#) [1111540](#) [1111843](#)