

PLEASE CHECK WWW.MOLEX.COM FOR LATEST PART INFORMATION

Part Number: [1062500231](#)
Status: **Active**
Overview: Optical EMI Shielding Adapters
Description: MXC*-to-PRIZM† MT Optical EMI Adapter, Single Port, Screw Mount, with Internal Safety Shutter

Documents:

[Drawing \(PDF\)](#)

[Datasheet \(PDF\)](#)

[RoHS Certificate of Compliance \(PDF\)](#)

General

Product Family	Fiber Optic Adapters
Series	106250
Component Type	EMI Shielding
Mode	Multimode
Overview	<u>Optical EMI Shielding Adapters</u>
Product Name	MXC, PRIZM MT
Type	Adapter
UPC	889056755498

Physical

Alignment Sleeve	N/A
Angled Physical Contact (APC)	N/A
Color - Resin	N/A
Ferrule Material	N/A
Gender	Hermaphroditic
Material - Housing	Die-Cast
Mounting Style	Screws
Orientation	Straight
Panel Mount	With Flange
Ports	1
Shutter	Internal, One Side

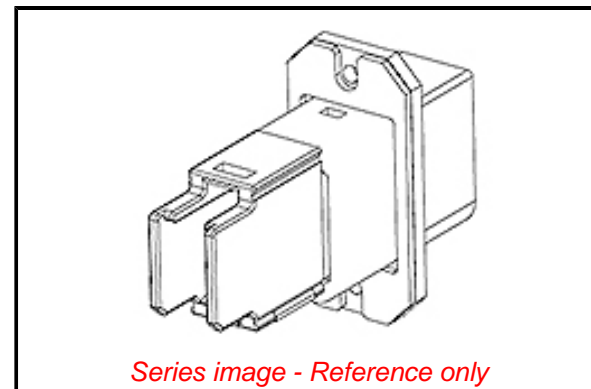
Electrical

Shield Type	EMI Gasket
Shielded	Yes

Material Info

Reference - Drawing Numbers

Sales Drawing	1062500231-000
---------------	----------------



EU ELV

Not Reviewed

EU RoHS

Not Reviewed

REACH SVHC

Not Reviewed

Halogen-Free

Status

Not Reviewed

For more information, please visit [Contact US](#)

China ROHS

Not Reviewed

ELV

Not Reviewed

RoHS Phthalates

Not Reviewed

Search Parts in this Series

[106250 Series](#)

Use With

Optical Cable Assemblies and FlexPlane
Optical Circuitry

X-ON Electronics

Largest Supplier of Electrical and Electronic Components

Click to view similar products for [Fibre Optic Connectors](#) category:

Click to view products by [Molex](#) manufacturer:

Other Similar products are found below :

[0004700001](#) [6100-R](#) [6313](#) [F709034706](#) [F709722200](#) [F709730000](#) [F718183204](#) [F727403500](#) [F727752800](#) [8119](#) [9440F20-27S-190](#) [944-120-6001](#) [9441F10SL-3S](#) [9444W28-21S](#) [9444W36-10S](#) [9446F10SL-4S](#) [9446W20-16S](#) [953-101-5310-P](#) [954-101-57202B](#) [A0270169](#) [12-9122](#) [12-5702](#) [AX101713](#) [AX102420](#) [AX103923](#) [AX104024](#) [AX104193](#) [AX104230](#) [AX104562](#) [AX105203-B25](#) [AX105205-S1](#) [EHSC2M](#) [17-300800](#) [181-011-126](#) [181-011-S](#) [181-057-126](#) [HRFC-R2\(40\)](#) [NKSOPBUY](#) [20500002116](#) [2064996-1](#) [20800001065](#) [2170](#) [9132](#) [2612](#) [2620](#) [9291](#) [9440F16-10S](#) [9440F20-18S](#) [9446F16-10S-190](#) [953-106-50231](#)