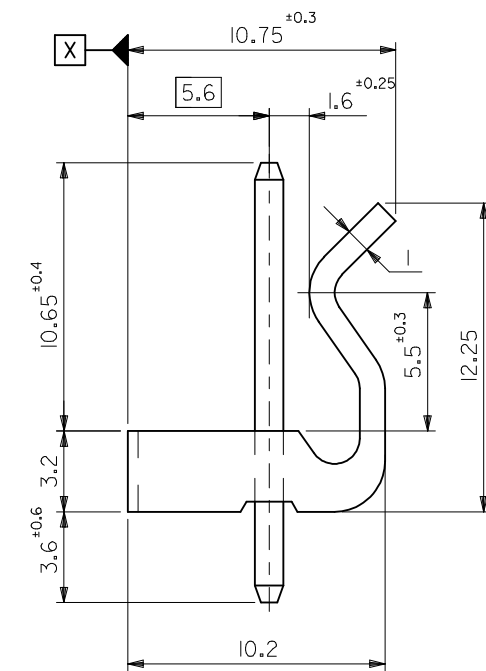
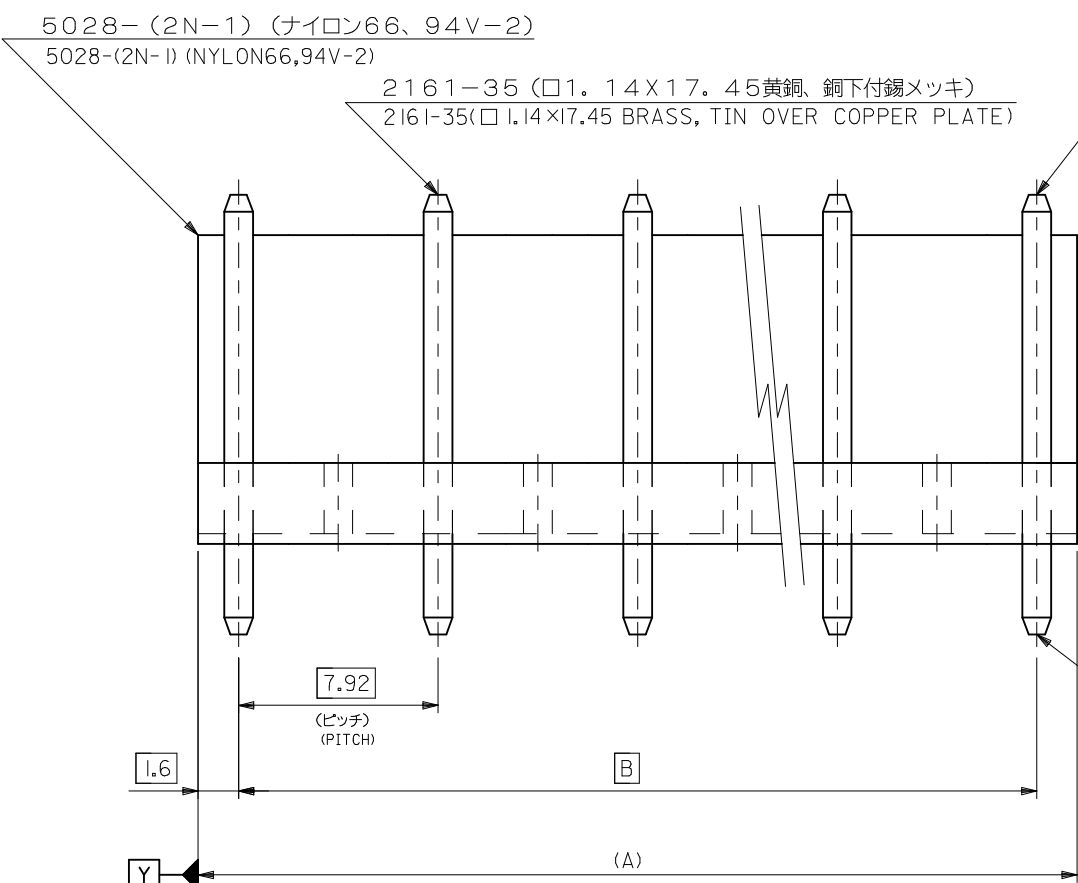


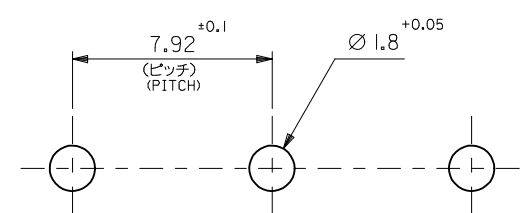
10 9 8 7 6 5 4 3 2 1



注記
NOTE

ウェハーのそりは、長さ25.4に対して0.24最大。
CAMBER OF WAFER MUST BE 0.24mm MAX. PER 25.4mm.

39.6	42.8	10-63-4067	5096-06C	6
31.68	34.88	10-63-4057	5096-05C	5
23.76	26.96	10-63-4047	5096-04C	4
15.84	19.04	10-63-4037	5096-03C	3
7.92	11.12	10-63-4027	5096-02C	2
B	(A)	EDP.NO.	MATERIAL NO.	種数 NO. OF CKTS.
			MODEL NO.	5096-NC



基板取付穴推奨寸法
RECOMMENDED PC BOARD HOLE DIMENSION

REVISED EC NO: J2014-1224 DRWN: YAJI MA01 2014/02/04 CHKD: KASAKAWA 2014/02/10 APPR: NUKITA 2014/02/10	GENERAL TOLERANCES (UNLESS SPECIFIED)		DIMENSION STYLE MM ONLY		SCALE 5:1	DESIGN UNITS METRIC	THIRD ANGLE PROJECTION
	10 UNDER	±0.2	DRAWN BY M. HARA	DATE '96/6/20	TITLE KK7.92 WAFER ASSY WITH LOCK		
	10 OVER 30 UNDER	±0.25	CHECKED BY M. FUKUSHIMA	DATE '96/6/20	DOCUMENT NO. SD-5096-001		SHEET NO. 1 OF 1
	30 OVER	±0.3	APPROVED BY M. ENOMOTO	DATE '96/6/20	SEE TABLE		
ANGULAR ±3 °		DRAFT WHERE APPLICABLE MUST REMAIN WITHIN DIMENSIONS		THIS DRAWING CONTAINS INFORMATION THAT IS PROPRIETARY TO MOLEX INCORPORATED AND SHOULD NOT BE USED WITHOUT WRITTEN PERMISSION			

9 8 7 6 5 4 3 2

X-ON Electronics

Largest Supplier of Electrical and Electronic Components

Click to view similar products for [Headers & Wire Housings](#) category:

Click to view products by [Molex](#) manufacturer:

Other Similar products are found below :

[892-18-020-10-001101](#) [58102-G61-06LF](#) [582553-1](#) [0009485154](#) [009176003701906](#) [0050291907](#) [LY20-4P-DT1-P1E-BR](#) [02.125.8002.8](#)
[609-3404](#) [61062-3](#) [622-0430](#) [622-3653LF](#) [63453-116](#) [636-1030](#) [636-1427](#) [636-3427](#) [636-4007](#) [641938-9](#) [641991-4](#) [644827-2](#) [65817-010LF](#)
[65817-015LF](#) [65863-015LF](#) [66207-023LF](#) [67095-007LF](#) [67601157](#) [68648-049](#) [70.362.1628.0](#) [70-4210](#) [70-4226B](#) [70-4853B](#) [707-5020](#) [707-](#)
[5028](#) [71.350.2428.0](#) [71918-208LF](#) [71961-016LF](#) [733-134](#) [733-162](#) [754199-000](#) [760-3052](#) [787-8014-00](#) [79531-3000](#) [FCN-360C032-B](#) [FCN-](#)
[367T-T012/H](#) [FCN-723D010/2](#) [80.063.4001.1](#) [800-90-001-10-001000](#) [800-90-010-10-002000](#) [801-43-002-10-013000](#) [801-43-006-10-002000](#)