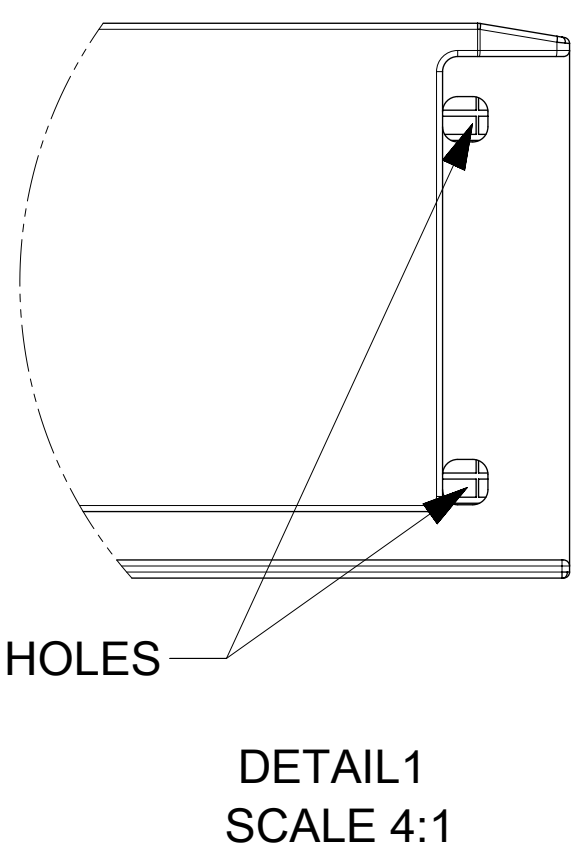
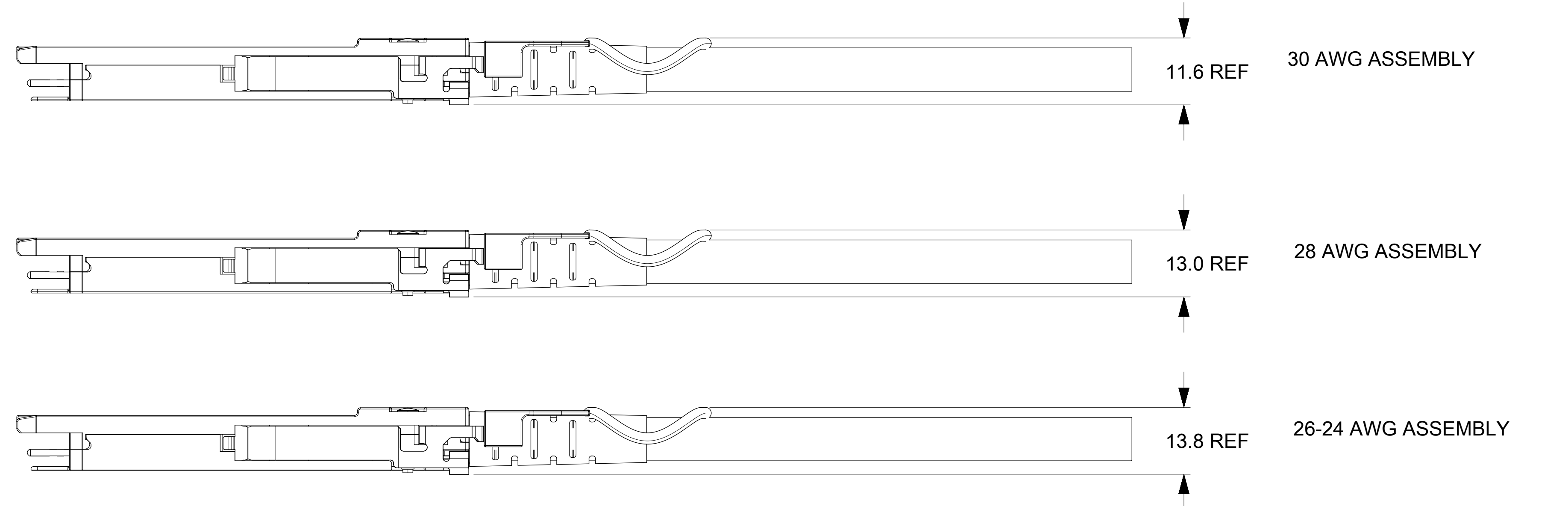


SEE SHEET 3 FOR LABEL DETAIL  
(FOR CABLES UNDER 2 METERS LABEL ON ONE END ONLY)



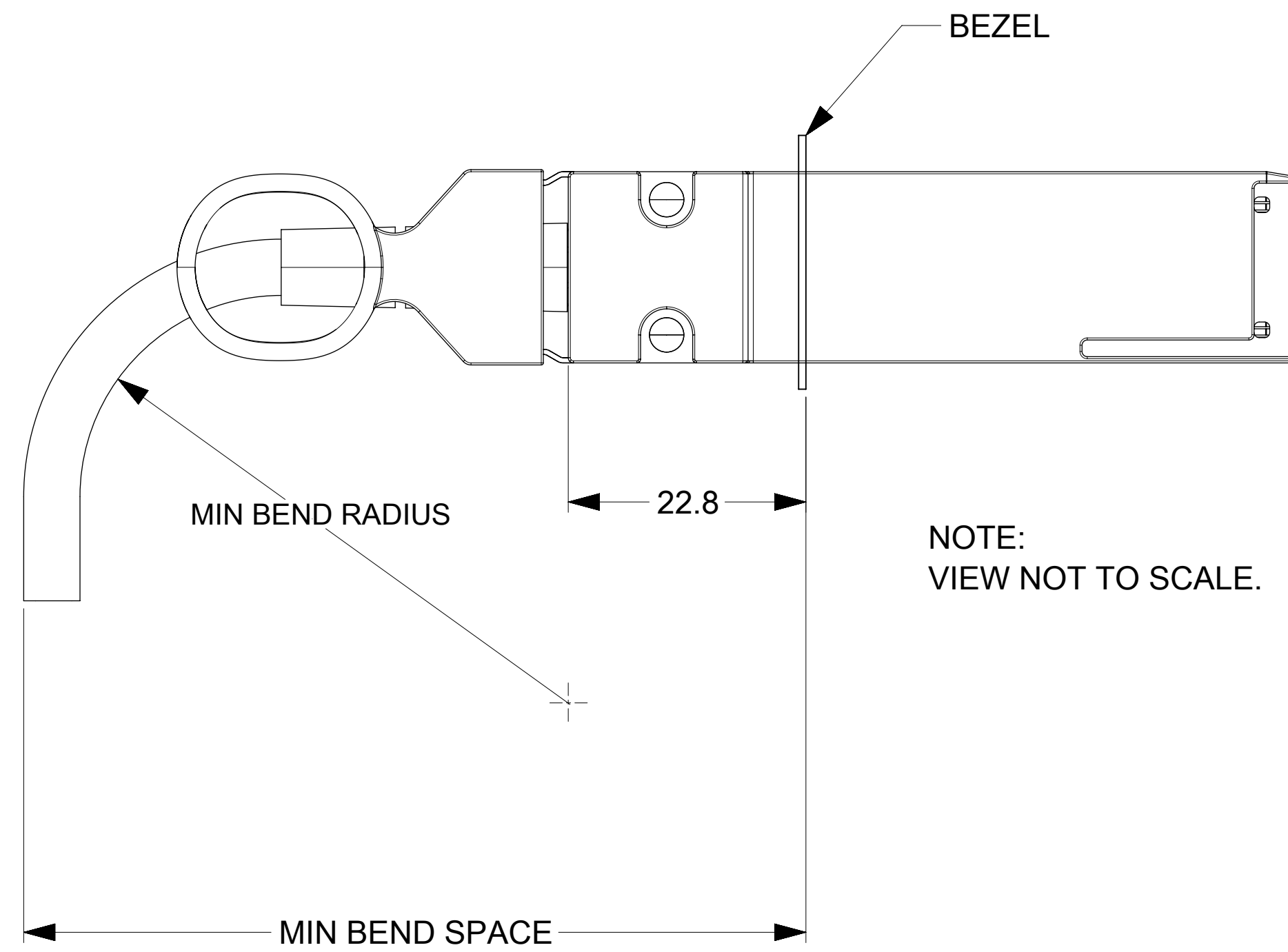
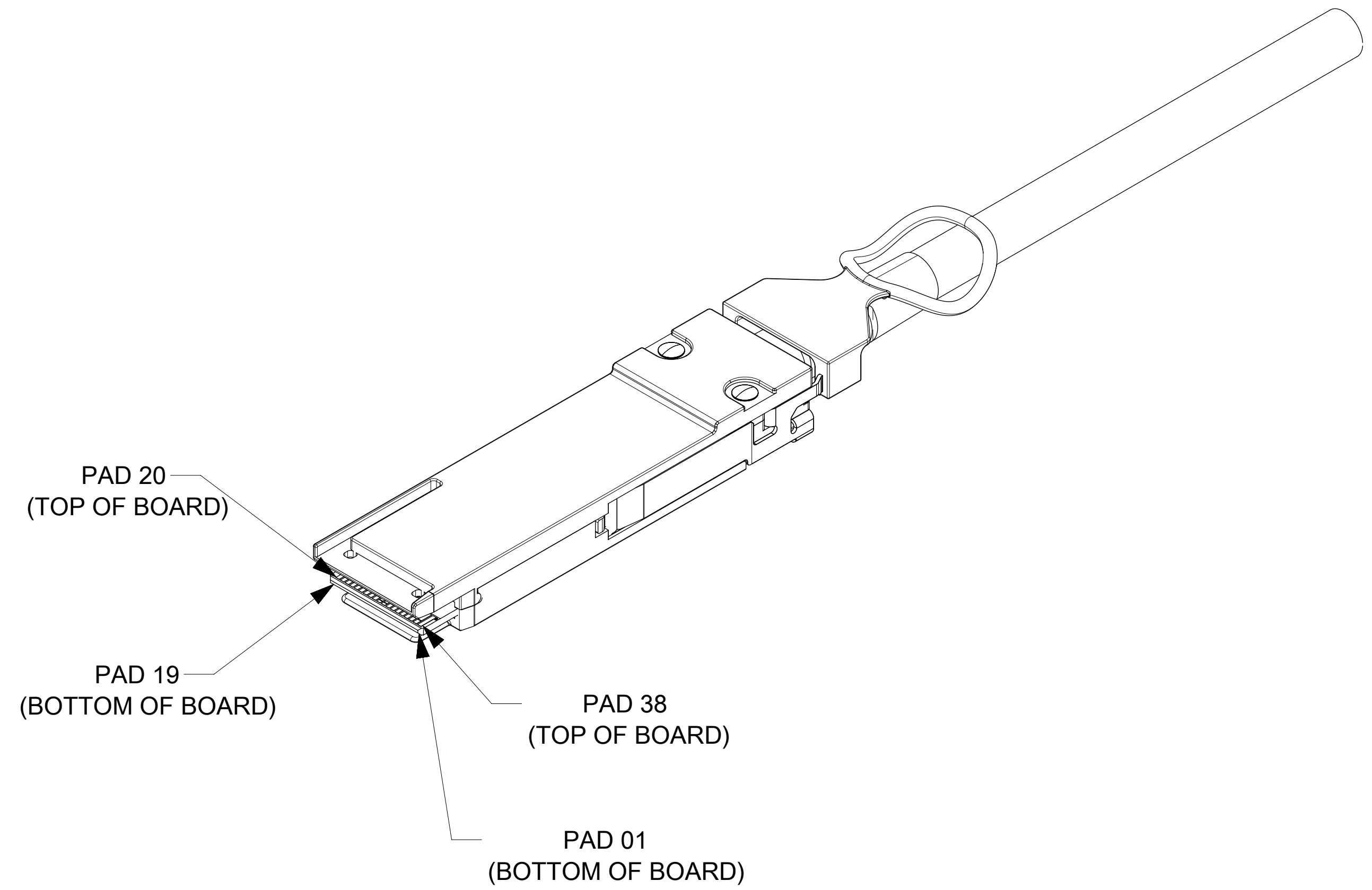
SEE SHEET 3 FOR P/N TABLE

- NOTES:
- CABLE DISTANCE DEPENDS ON WIRE GAUGE, DATA RATE, AND HOST BOARD DRIVER CAPABILITIES
  - MATERIALS:  
 BACKSHELLS - ZINC DIE CAST WITH BRIGHT NICKEL PLATING  
 DELATCH - STAINLESS STEEL WITH OVERMOLDED NYLON  
 PCB - FR4  
 RIVETS - STAINLESS STEEL
  - IMPEDANCE - 100 OHMS DIFFERENTIAL
  - RoHS COMPLIANT, NO EXEMPTIONS

THIS DRAWING CONTAINS INFORMATION THAT IS PROPRIETARY TO MOLEX ELECTRONIC TECHNOLOGIES, LLC AND SHOULD NOT BE USED WITHOUT WRITTEN PERMISSION			
DIMENSION UNITS <b>mm</b>	SCALE <b>2:1</b>	CURRENT REV DESC: OBSOLETE PART NO	
GENERAL TOLERANCES (UNLESS SPECIFIED)		EC NO: 611198	
ANGULAR TOL	± 0.5°	DRWN: AKUMAR19	2018/12/31
4 PLACES	±	CHK'D: GGA	2019/02/28
3 PLACES	±	APPR: GGA	2019/02/28
2 PLACES	± 0.13	INITIAL REVISION:	
1 PLACE	± 0.25	DRWN: SCHANNARAYAN	2017/08/22
0 PLACES	±	APPR: ARAYBURN	2017/09/06
DRAFT WHERE APPLICABLE MUST REMAIN WITHIN DIMENSIONS	THIRD ANGLE PROJECTION	DRAWING	SERIES
		<b>D-SIZE</b>	<b>111040</b>
DOCUMENT STATUS		MATERIAL NUMBER	CUSTOMER
P1	RELEASE DATE 2019/02/28 12:46:47	SEE P/N TABLE	GENERAL MARKET
		DOCUMENT NUMBER	DOC TYPE DOC PART REVISION
		<b>1110400001</b>	PSD 000 Y
		SHEET NUMBER	
		1 OF 3	

WIRING DIAGRAM				
P1 END			P2 END	
PAD	SIGNAL		PAD	SIGNAL
01	GND (TX)	----	20	GND (RX)
02	TX2n	---->	21	RX2n
03	TX2p	---->	22	RX2p
04	GND (TX)	----	23	GND (RX)
05	TX4n	---->	24	RX4n
06	TX4p	---->	25	RX4p
07	GND (TX)	----	26	GND (RX)
08	ModSelL	<input type="checkbox"/>	27	ModPrsL
09	ResetL	<input type="checkbox"/>	28	IntL
10	VccRx	<input type="checkbox"/>	29	VccTx
11	SCL	<input type="checkbox"/>	30	Vcc1
12	SDA	<input type="checkbox"/>	31	LPmode
13	GND (RX)	----	32	GND (TX)
14	RX3p	<----	33	TX3p
15	RX3n	<----	34	TX3n
16	GND (RX)	----	35	GND (TX)
17	RX1p	<----	36	TX1p
18	RX1n	<----	37	TX1n
19	GND (RX)	----	38	GND (TX)
20	GND (RX)	----	01	GND (TX)
21	RX2n	<----	02	TX2n
22	RX2p	<----	03	TX2p
23	GND (RX)	----	04	GND (TX)
24	RX4n	<----	05	TX4n
25	RX4p	<----	06	TX4p
26	GND (RX)	----	07	GND (TX)
27	ModPrsL	<input type="checkbox"/>	08	ModSelL
28	IntL	<input type="checkbox"/>	09	ResetL
29	VccTx	<input type="checkbox"/>	10	VccRx
30	Vcc1	NC	11	SCL
31	LPMode	<input type="checkbox"/>	12	SDA
32	GND (TX)	----	13	GND (RX)
33	TX3p	---->	14	RX3p
34	TX3n	---->	15	RX3n
35	GND (TX)	----	16	GND (RX)
36	TX1p	---->	17	RX1p
37	TX1n	---->	18	RX1n
38	GND (TX)	----	19	GND (RX)

LEGEND:  
 ---- = THRU LINES  
 ----> = TRANSMIT TO RECEIVE ON HIGH SPEED CIRCUITS  
 C = COMMON GROUND CONNECTION  
 NC = NOT CONNECTED  
 = CONNECTION TO A DEVICE ON THE PCB



**CABLE BEND RADIUS**

CABLE AWG	MIN BEND RADIUS (mm)	MIN BEND SPACE (mm)
24	51	84
26	44	76
28	39	70
30	33	62

- NOTES:  
 1. DC BLOCKING CAPS ON RECEIVE SIDE ONLY  
 2. CABLE COILED AND PACKAGED IN BEST FIT ESD BAG AND SEALED WITH ESD LABEL FOR SHIPPING

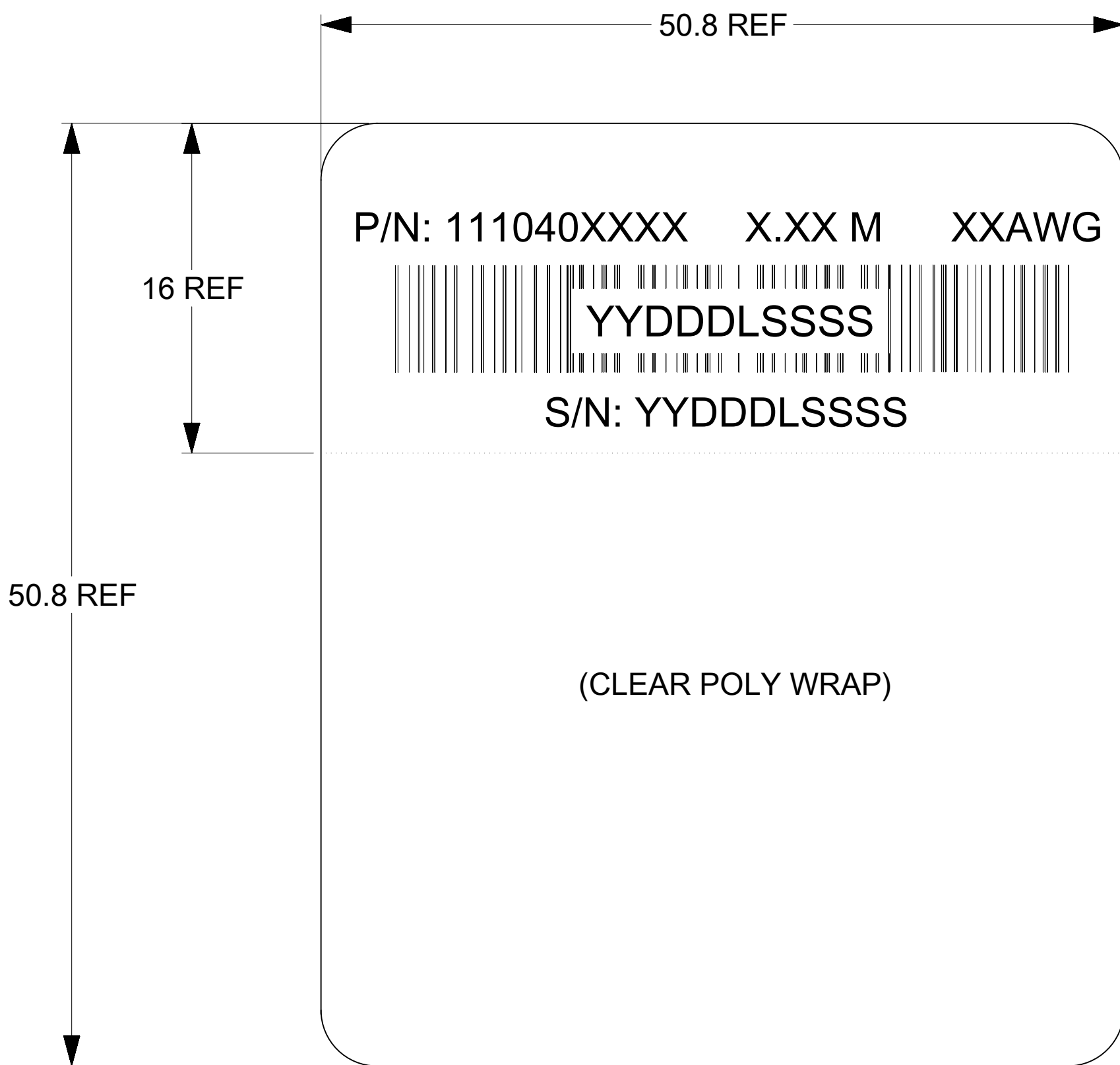
THIS DRAWING CONTAINS INFORMATION THAT IS PROPRIETARY TO MOLEX ELECTRONIC TECHNOLOGIES, LLC AND SHOULD NOT BE USED WITHOUT WRITTEN PERMISSION											
DIMENSION UNITS		SCALE		CURRENT REV DESC: OBSOLETE PART NO							
mm		2:1		<p><b>molex</b></p> <p>QSFP+ COPPER PATCH CABLE ASSEMBLY CABLE ASSEMBLY</p> <p>PRODUCT CUSTOMER DRAWING</p> <p>DOCUMENT NUMBER: 1110400001    DOC TYPE: PSD    DOC PART: 000    REVISION: Y</p> <p>MATERIAL NUMBER: SEE P/N TABLE    CUSTOMER: GENERAL MARKET    SHEET NUMBER: 2 OF 3</p>							
GENERAL TOLERANCES (UNLESS SPECIFIED)											
ANGULAR TOL		± 0.5°									
4 PLACES		±									
3 PLACES		±									
2 PLACES		± 0.13		<p>EC NO: 611198</p> <p>DRWN: AKUMAR19    2018/12/31</p> <p>CHK'D: GGA    2019/02/28</p> <p>APPR: GGA    2019/02/28</p>							
1 PLACE		± 0.25		<p>INITIAL REVISION:</p> <p>DRWN: SCHANNARAYAN    2017/08/22</p> <p>APPR: ARAYBURN    2017/09/06</p>							
0 PLACES		±		DRAFT WHERE APPLICABLE MUST REMAIN WITHIN DIMENSIONS				THIRD ANGLE PROJECTION		DRAWING SERIES	
				D-SIZE		111040					

**CABLE LABEL DETAILS**

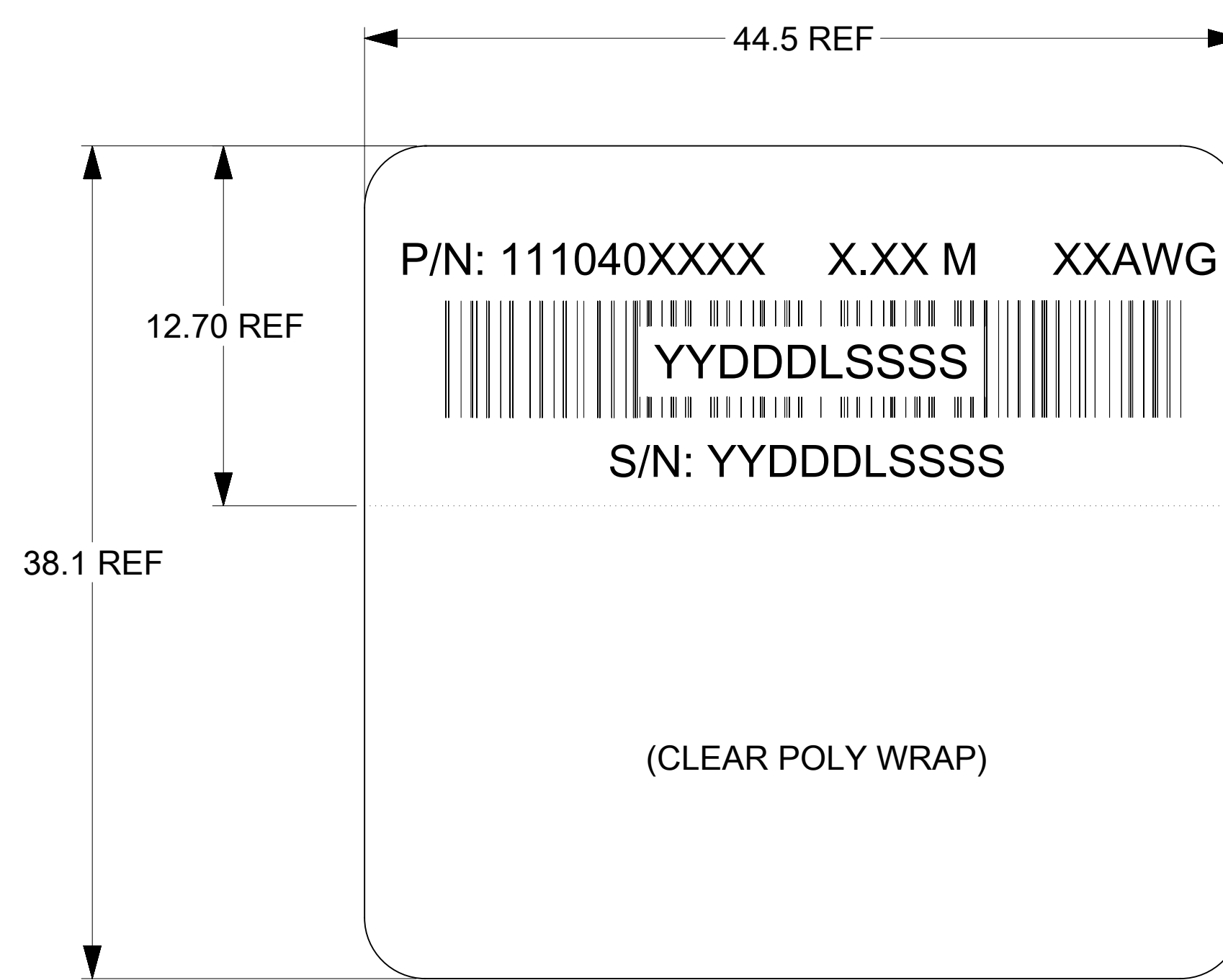
**PART NUMBER TABLE**

MOLEX PN	LENGTH (M)	LENGTH TOLERANCE (mm)	AWG
1110401054	0.5	±30	30
1110401104	1.0	±50	30
1110401154	1.5	±50	30
1110401204	2.0	±50	30
1110401254	2.5	±50	30
1110401304	3.0	±50	30
1110401404	4.0	±50	30
1110401504	5.0	±80	30
1110402304	3.0	±50	28
1110403304	3.0	±50	26
1110409011	10.0	±80	28
1110409012	10.0	±80	26
1110409018	15.0	±80	24

CABEL LABEL FOR 24 AND 26 AWG CABLE ASSEMBLY



CABEL LABEL FOR 28 AND 30 AWG CABLE ASSEMBLY



P/N: 111040XXXX - MOLEX PART NUMBER (SEE P/N TABLE)

X.XX M - CABLE LENGTH IN METERS (EXAMPLES - 0.5M, 1.0M, 1.5M)

XXAWG - CABLE SIZE IN AWG

S/N: YYDDDLSSSS - SERIAL NUMBER

YY = YEAR, THE LAST TWO DIGITS OF THE YEAR

DDD = DAY OF THE YEAR

L = LOCATION

1 - USA

2 - MEXICO

3 - CHINA

4 - PHILIPPINES

SSSS = SERIAL NUMBER (0001-9999)

THIS DRAWING CONTAINS INFORMATION THAT IS PROPRIETARY TO MOLEX ELECTRONIC TECHNOLOGIES, LLC AND SHOULD NOT BE USED WITHOUT WRITTEN PERMISSION											
DIMENSION UNITS		SCALE		CURRENT REV DESC: OBSOLETE PART NO						<b>molex</b>	
mm		2:1									
GENERAL TOLERANCES (UNLESS SPECIFIED)				EC NO: 611198						QSFP+ COPPER PATCH CABLE ASSEMBLY CABLE ASSEMBLY	
ANGULAR TOL ± 0.5°				DRWN: AKUMAR19 2018/12/31							
4 PLACES ±				CHK'D: GGA 2019/02/28							
3 PLACES ±				APPR: GGA 2019/02/28							
2 PLACES ± 0.13				INITIAL REVISION:						PRODUCT CUSTOMER DRAWING	
1 PLACE ± 0.25				DRWN: SCHANNARAYAN 2017/08/22						DOCUMENT NUMBER	
0 PLACES ±				APPR: ARAYBURN 2017/09/06						1110400001	
DRAFT WHERE APPLICABLE MUST REMAIN WITHIN DIMENSIONS				THIRD ANGLE PROJECTION		DRAWING		SERIES		MATERIAL NUMBER	
				D-SIZE		111040		SEE P/N TABLE		CUSTOMER	
								GENERAL MARKET		SHEET NUMBER	
										3 OF 3	

## X-ON Electronics

Largest Supplier of Electrical and Electronic Components

*Click to view similar products for [Ethernet Cables / Networking Cables](#) category:*

*Click to view products by [Molex](#) manufacturer:*

Other Similar products are found below :

[0152660053](#) [603020002](#) [73-7797-25](#) [73-8890-10](#) [73-8890-14](#) [73-8891-14](#) [73-8891-25](#) [73-8892-50](#) [73-8894-10](#) [73-8894-3](#) [73-8895-14](#) [73-8896-7](#) [MCJB2-10P6Q7-120](#) [84909-0204](#) [9QA0-111-12-3.00](#) [1200650742](#) [1200700174](#) [1200860368](#) [1200650013](#) [1201080008](#) [1-21919-1](#) [1300500373](#) [1300101844](#) [1300101845](#) [130050-0004](#) [1300500014](#) [1410147](#) [E16A06002M030](#) [E200102-009-S1](#) [MT14-187L](#) [17-103530](#) [NK5EPC18RDY](#) [NK5EPC18VLY](#) [NK5EPC18YLY](#) [NK5EPC1GRY](#) [NK5EPC30BLY](#) [NK5EPC30VLY](#) [NK5EPC30YLY](#) [NK5EPC4Y](#) [NK5EPC6YLY](#) [NK5EPC8BLY](#) [NK5EPC9YLY](#) [NK6PC30BUY](#) [NK6PC30GRY](#) [NK6PC30RDY](#) [NK6PC30Y](#) [NK6PC30YLY](#) [1969343-6](#) [C501100010](#) [C501106002](#)