

NOTES:

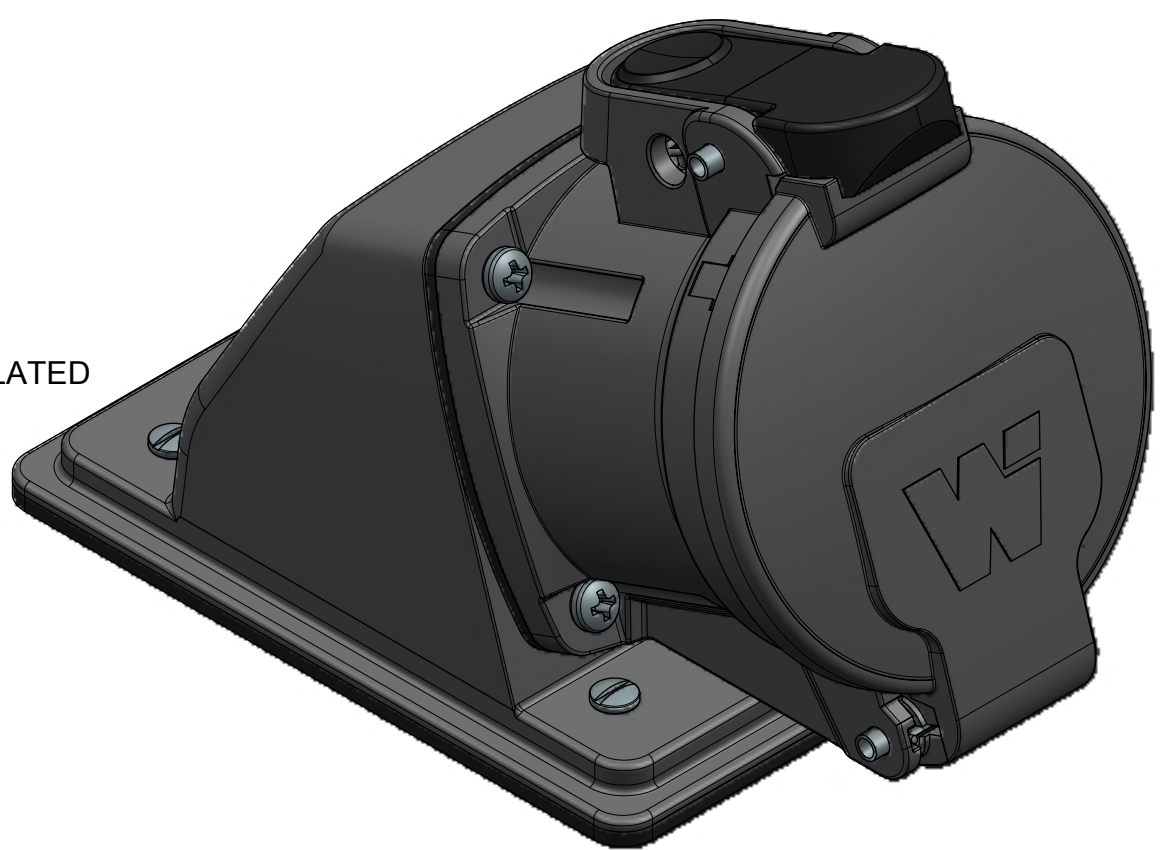
MATERIALS:

ANGLE, HOUSINGS AND INSULATORS: GLASS FILLED PBT
 CONTACTS: COPPER ALLOY WITH A SILVER NICKEL TIP, SILVER PLATED
 MOUNTING AND INTERFACE GASKETS: SILICONE
 SELF TAPPING SCREWS (PHILLIPS) - STAINLESS STEEL
 ANGLE MOUNTING SCREWS (SLOTTED) - STAINLESS STEEL
 ANGLE GASKET - EPDM

RATINGS:

CURRENT: 30 AMPS
 VOLTAGE AND HORSEPOWER: SEE TABLE
 OPERATING TEMPERATURE: -25°C (-13°F) TO 60°C (140°F)
 ENVIRONMENTAL: TYPE 4X, IP69K
 WIRING CAPACITY: 12 AWG MIN. TO 8 AWG MAX.
 TORQUE TERMINAL SCREWS TO 1.7 N-M (15 in/lbs)
 AGENCY: UL LISTING PENDING
 SWITCH RATED RECEPTACLE/CONNECTOR
 BRANCH CIRCUIT DISCONNECT SWITCH
 MOTOR CIRCUIT DISCONNECT SWITCH IF HP RATED

CONNECTOR AND HANDLE ARE PACKAGED AS SUB-ASSEMBLIES AND WILL REQUIRE END USER ASSEMBLY.



ARC30FAE03 SHOWN

MATERIAL NUMBER	ENGINEERING NUMBER	DESCRIPTION	INSULATOR KEYING POSITION	HORSEPOWER RATING
1122190043	ARC30FAA01	ARC 30A FA 125VAC 1P+N+G	7	1 HP
1122190044	ARC30FAB02	ARC 30A FA 250VAC 2P+G		3 HP
1122190045	ARC30FAB03	ARC 30A FA 250VAC 3P+G		5 HP
1122190046	ARC30FAAB04	ARC 30A FA 125/250VAC 2P+N+G	16	NA
1122190047	ARC30FAC02	ARC 30A FA 208VAC 2P+G		NA
1122190048	ARC30FAC03	ARC 30A FA 208VAC 3P+G		5 HP
1122190049	ARC30FAAC05	ARC 30A FA 120/208VAC 3P+N+G	4	NA
1122190050	ARC30FAD01	ARC 30A FA 277VAC 1P+N+G		NA
1122190051	ARC30FAE02	ARC 30A FA 480VAC 2P+G		10 HP
1122190052	ARC30FAE03	ARC 30A FA 480VAC 3P+G	14	NA
1122190053	ARC30FADE05	ARC 30A FA 277/480VAC 3P+N+G		NA
1122190054	ARC30FAF02	ARC 30A FA 600VAC 2P+G		NA
1122190055	ARC30FAF03	ARC 30A FA 600VAC 3P+G	NA	NA
1122190056	ARC30FAGF05	ARC 30A FA 347/600VAC 3P+N+G		NA

SYMBOLS THIS DRAWING CONTAINS INFORMATION THAT IS PROPRIETARY TO MOLEX ELECTRONIC TECHNOLOGIES, LLC AND SHOULD NOT BE USED WITHOUT WRITTEN PERMISSION DIMENSION UNITS: INCH SCALE: 1:1 CURRENT REV DESC: ADDED 10HP,NEW NOTES:																					
GENERAL TOLERANCES (UNLESS SPECIFIED) <table border="1"> <tr> <th></th> <th>MM</th> <th>INCH</th> </tr> <tr> <td>4 PLACES</td> <td>±</td> <td>±</td> </tr> <tr> <td>3 PLACES</td> <td>±</td> <td>±</td> </tr> <tr> <td>2 PLACES</td> <td>±</td> <td>±</td> </tr> <tr> <td>1 PLACE</td> <td>±</td> <td>±</td> </tr> <tr> <td>0 PLACES</td> <td>±</td> <td>±</td> </tr> </table>					MM	INCH	4 PLACES	±	±	3 PLACES	±	±	2 PLACES	±	±	1 PLACE	±	±	0 PLACES	±	±
	MM	INCH																			
4 PLACES	±	±																			
3 PLACES	±	±																			
2 PLACES	±	±																			
1 PLACE	±	±																			
0 PLACES	±	±																			
DRAFT WHERE APPLICABLE MUST REMAIN WITHIN DIMENSIONS		THIRD ANGLE PROJECTION		DRAWING: C-SIZE SERIES: 112219		PRODUCT CUSTOMER DRAWING DOCUMENT NUMBER: 1122190052 DOC TYPE: PSD DOC PART: 000 REVISION: A2															
MATERIAL NUMBER: 1122190052 CUSTOMER: GENERAL MARKET		SHEET NUMBER: 1 OF 1																			

X-ON Electronics

Largest Supplier of Electrical and Electronic Components

Click to view similar products for [Standard Circular Connector](#) category:

Click to view products by [Molex](#) manufacturer:

Other Similar products are found below :

[5M2530B10P](#) [600259N006](#) [600273N007](#) [6134-336-13149](#) [6134-337-11149](#) [6134-337-2390](#) [6134-341-17149](#) [6280-4SG-516](#) [6280-7SG-3DC](#)
[6290](#) [6291A](#) [66200A-10](#) [680-SMG](#) [681-PMG](#) [CXS3102A14S2P](#) [CXS3102A181S](#) [7271-6SG-300](#) [7282-3PG-300-CH3](#) [75-474014-05S](#) [75-](#)
[474618-01S](#) [75-474618-04P](#) [75-474618-04S](#) [799539-000](#) [MI8-SE](#) [805-005-07NF11-19PC](#) [805-005-07NF15-7PA](#) [8280-4PG-516](#) [8280-7PG-](#)
[519](#) [8282-5PG-519](#) [836783-1](#) [MP-4102-25P-C](#) [862256-1](#) [864019-2](#) [866857-1](#) [867865-1](#) [PT01SP-14-18P](#) [PT08P-14-5S](#) [120-1833-000](#)
[QCM019PC2DC012B](#) [1-2069279-1](#) [121583-0217](#) [121667-0020](#) [129591AU](#) [1000B BULK](#) [RD10A16-19-P6CS051/1](#) [RD10A20-31-](#)
[P8CS051/1](#) [RD16A14-12-S6CS051/2](#) [1301240290](#) [1301240347](#) [1301860202](#) [1301240268](#)