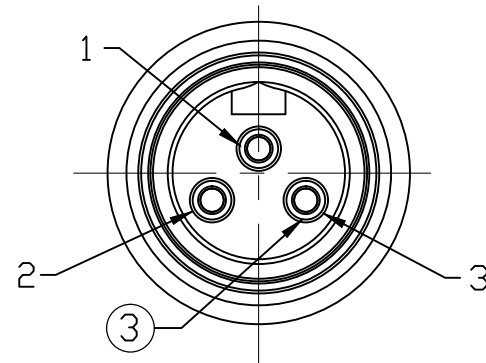
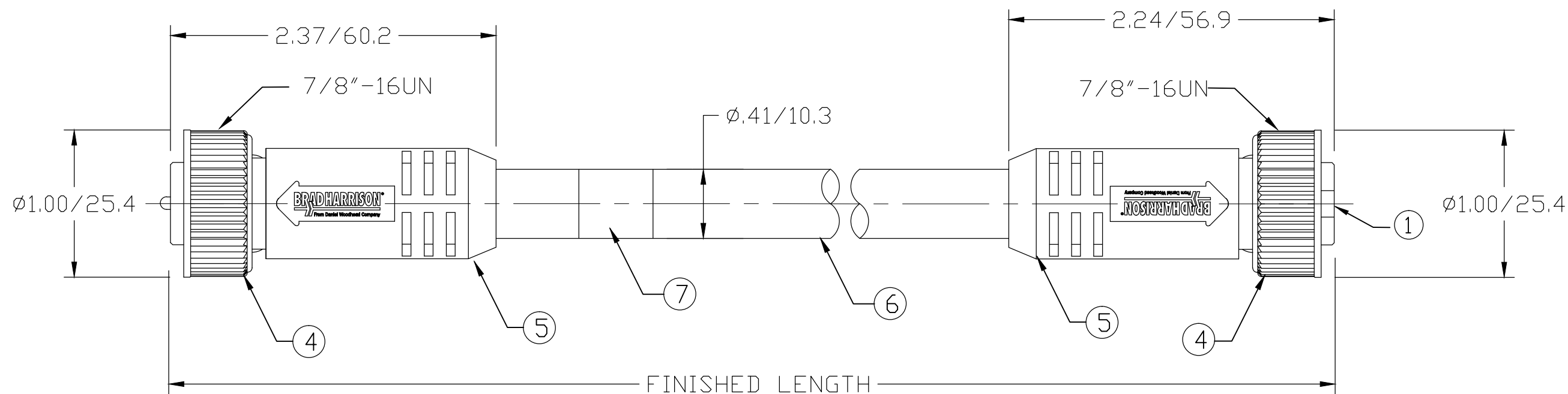
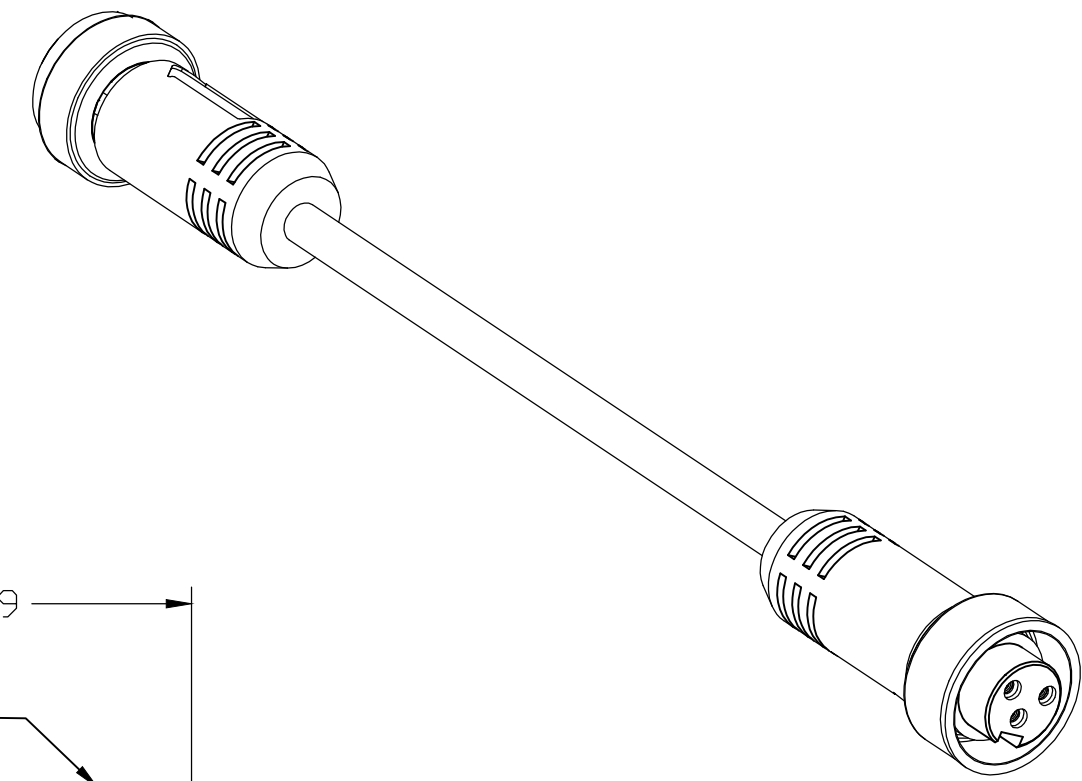
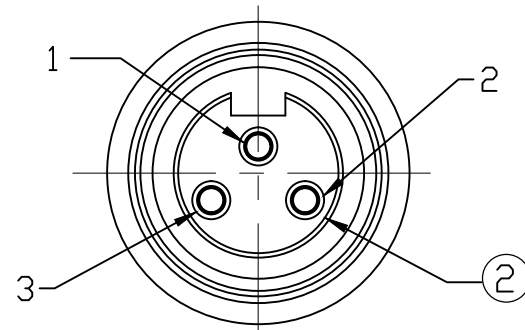


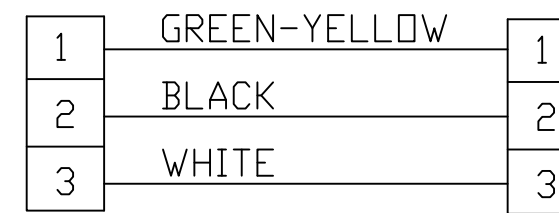
MATERIAL NUMBER	OLD PART NUMBER	FINISHED LENGTH
1300100210	113020A01F010	1.00' +.75" -0 [3M +19.1 -0]
1300100214	113020A01F030	3.00' +1.75" -0 [9M +44.5 -0]
1300100221	113020A01F060	6.00' +2.19" -0 [1.8M +55.6 -0]
1300100226	113020A01F090	9.00' +3.50" -0 [2.7M +88.9 -0]
1300100227	113020A01F100	10.00' +3.50" -0 [3.05M +88.9 -0]
1300100228	113020A01F120	12.00' +3.50" -0 [3.7M +88.9 -0]
1300100233	113020A01F150	15.00' +6.50" -0 [4.6M +165.1 -0]
1300100238	113020A01F200	20.00' +6.50" -0 [6.1M +165.1 -0]
1300100241	113020A01F250	25.00' +12.50" -0 [7.6M +317.5 -0]
1300100245	113020A01F300	30.00' +12.50" -0 [9.1M +317.5 -0]



MALE FACE VIEW



FEMALE FACE VIEW



WIRING DIAGRAM

(D)

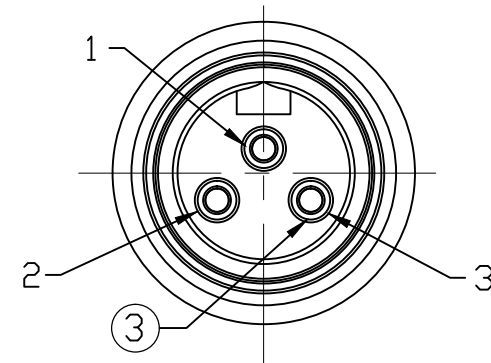
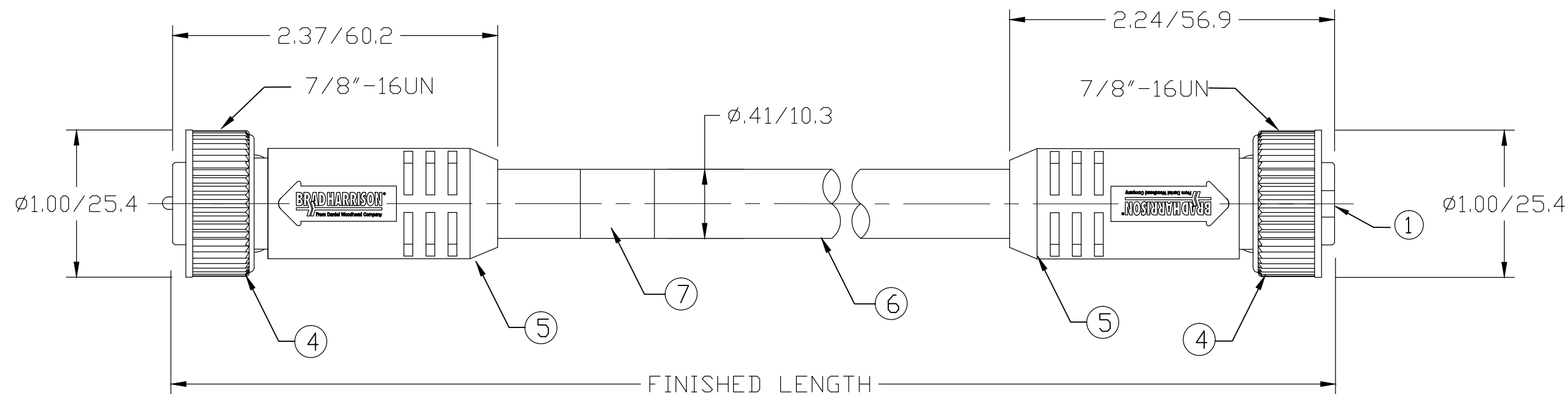
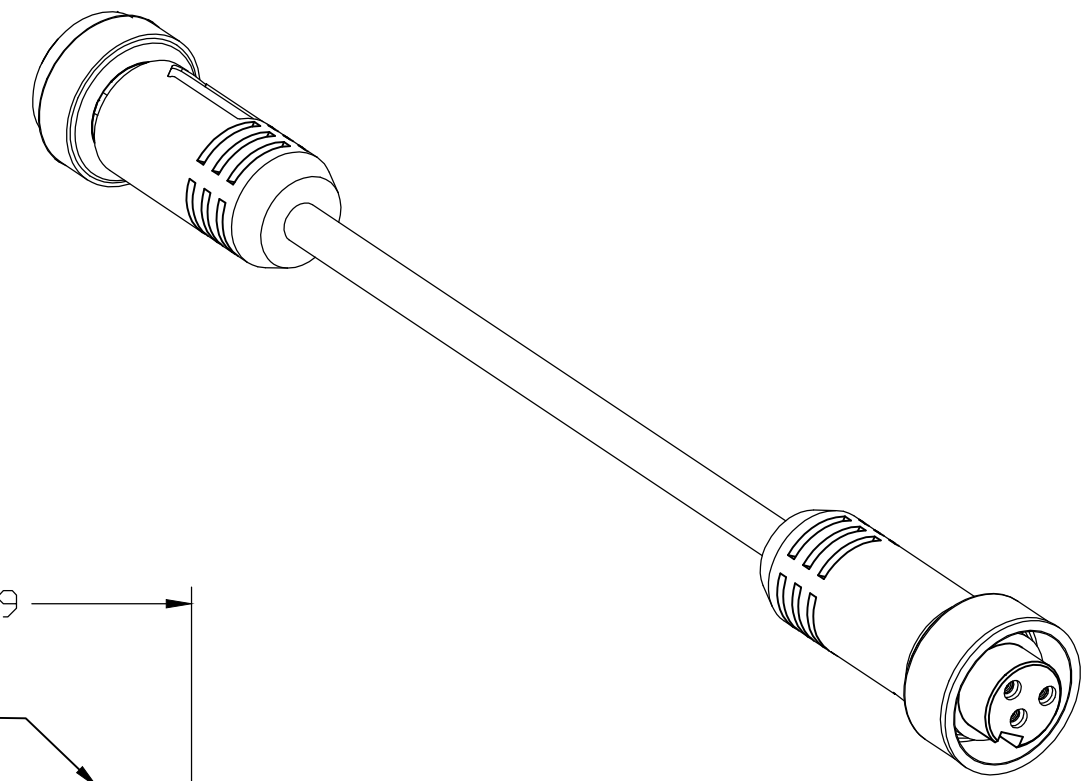
- NOTES:
- MATERIAL: SEE TABLE
 - FINISH: SEE TABLE
 - ELECTRICAL:
VOLTAGE: 600VAC/DC
CURRENT: 13A
 - TEMP RATING: -20°TO +105°C
 - PROTECTION: IP67 (WHEN MATED)
 - UL RECOGNIZED FIEL NO. E152210
CSA CERTIFIED FILE NO. LR6837
 - ALL DIMS ARE FOR REFERENCE UNLESS NOTED OTHERWISE

TABLE

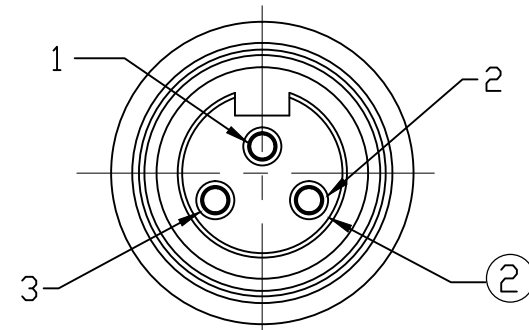
ITEM	COMPONENT	MATERIAL	FINISH
1	INSERT	PVC	YELLOW
2	CONTACT SOCKET	COPPER ALLOY	GOLD OVER NICKEL
3	CONTACT PIN	COPPER ALLOY	GOLD OVER NICKEL
4	COUPLING NUT	ZINC DIE CAST	BLACK E-COATED
5	OVERMOLD	PVC	YELLOW
6	CABLE- 16AWG, (65 X #34 COPPER STRANDING), 3 CONDUCTOR, 600V, ST00W, ST	PVC	YELLOW
7	LABEL	VINYL	BLACK/YELLOW

ADD 10 & 30 FT PINS AND NOTES EC NO: IFC2017-0531 DRWN: RSTONE 11/23/16 CHKD: M ZELIN 2016/11/28 APPR: BWOODMAN	QUALITY SYMBOL ▽=0 ▽=0	GENERAL TOLERANCES (UNLESS SPECIFIED)		DIMENSION STYLE IN/MM		SCALE	DESIGN UNITS	THIRD ANGLE PROJECTION			
						---	INCH				
						DRAWN BY	DATE	TITLE			
						BW	2009/03/30	MINI-CHANGE CORDSET 3 POLE MALE/FEMALE 16 AWG PVC CABLE			
				CHECKED BY	DATE	MOLEX INCORPORATED					
				VO	2009/03/30	MOLEX INCORPORATED					
				APPROVED BY	DATE	DOCUMENT NO.					
				----	----	SD-130010-002					
				MATERIAL NO.		SHEET NO.					
				SEE CHART		1 OF 1					
				SIZE C		THIS DRAWING CONTAINS INFORMATION THAT IS PROPRIETARY TO MOLEX INCORPORATED AND SHOULD NOT BE USED WITHOUT WRITTEN PERMISSION					

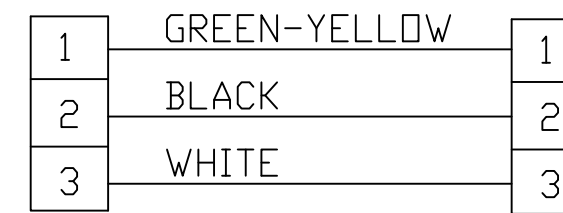
MATERIAL NUMBER	OLD PART NUMBER	FINISHED LENGTH
1300100210	113020A01F010	1.00' +.75" -0 [3M +19.1 -0]
1300100214	113020A01F030	3.00' +1.75" -0 [9M +44.5 -0]
1300100221	113020A01F060	6.00' +2.19" -0 [1.8M +55.6 -0]
1300100226	113020A01F090	9.00' +3.50" -0 [2.7M +88.9 -0]
1300100227	113020A01F100	10.00' +3.50" -0 [3.05M +88.9 -0]
1300100228	113020A01F120	12.00' +3.50" -0 [3.7M +88.9 -0]
1300100233	113020A01F150	15.00' +6.50" -0 [4.6M +165.1 -0]
1300100238	113020A01F200	20.00' +6.50" -0 [6.1M +165.1 -0]
1300100241	113020A01F250	25.00' +12.50" -0 [7.6M +317.5 -0]
1300100245	113020A01F300	30.00' +12.50" -0 [9.1M +317.5 -0]



MALE FACE VIEW



FEMALE FACE VIEW



WIRING DIAGRAM

(D)

- NOTES:
- MATERIAL: SEE TABLE
 - FINISH: SEE TABLE
 - ELECTRICAL:
VOLTAGE: 600VAC/DC
CURRENT: 13A
 - TEMP RATING: -20°TO +105°C
 - PROTECTION: IP67 (WHEN MATED)
 - UL RECOGNIZED FIEL NO. E152210
CSA CERTIFIED FILE NO. LR6837
 - ALL DIMS ARE FOR REFERENCE UNLESS NOTED OTHERWISE

TABLE

ITEM	COMPONENT	MATERIAL	FINISH
1	INSERT	PVC	YELLOW
2	CONTACT SOCKET	COPPER ALLOY	GOLD OVER NICKEL
3	CONTACT PIN	COPPER ALLOY	GOLD OVER NICKEL
4	COUPLING NUT	ZINC DIE CAST	BLACK E-COATED
5	OVERMOLD	PVC	YELLOW
6	CABLE- 16AWG, (65 X #34 COPPER STRANDING), 3 CONDUCTOR, 600V, ST00W, ST	PVC	YELLOW
7	LABEL	VINYL	BLACK/YELLOW

ADD 10 & 30 FT PINS AND NOTES EC NO: IFC2017-0531 DRWN: RSTONE 11/23/16 CHKD: M ZELIN 2016/11/28 APPR: BWOODMAN	QUALITY SYMBOL ▽=0 ▽C=0	GENERAL TOLERANCES (UNLESS SPECIFIED)		DIMENSION STYLE IN/MM		SCALE	DESIGN UNITS	THIRD ANGLE PROJECTION		
						---	INCH			
						DRAWN BY DATE			TITLE	
						CHECKED BY DATE			MINI-CHANGE CORDSET 3 POLE MALE/FEMALE 16 AWG PVC CABLE	
				1 PLACE ±0.3 ±---		APPROVED BY DATE		MOLEX INCORPORATED		
				ANGULAR ±---°		MATERIAL NO.		DOCUMENT NO.		
				DRAFT WHERE APPLICABLE MUST REMAIN WITHIN DIMENSIONS		SEE CHART		SD-130010-002		
				SIZE C		THIS DRAWING CONTAINS INFORMATION THAT IS PROPRIETARY TO MOLEX INCORPORATED AND SHOULD NOT BE USED WITHOUT WRITTEN PERMISSION				
								SHEET NO. 1 OF 1		

X-ON Electronics

Largest Supplier of Electrical and Electronic Components

Click to view similar products for [D-Sub Micro-D Connectors](#) category:

Click to view products by [Molex](#) manufacturer:

Other Similar products are found below :

[89076GBEPR](#) [M2430815F](#) [M243082311F](#) [M2430833F](#) [M2430834F](#) [M24308/4-6F](#) [65-1920-15](#) [M83513/01-HN](#) [M83513/03-A10N](#)
[M83513/03-B14C](#) [M83513/03-D09C](#) [M83513/03-D11N](#) [M83513/03-G02N](#) [M83513/03-G05N](#) [M83513/03-G08C](#) [M83513/03-G09N](#)
[M83513/03-G12N](#) [M83513/03-H13N](#) [M83513/04-E15N](#) [M83513/04-G04C](#) [M83513/10-E01NP](#) [M83513/13-B01NP](#) [M83513/13-C01NN](#)
[M83513/16-A01CP](#) [M83513/22-D01NP](#) [M83513/25-B01NP](#) [6R2004A30F015](#) [6R4006A28A120](#) [703006A13F060](#) [704002A03F200](#)
[705001A13F120](#) [7-1532020-5](#) [748567-1-P](#) [MDM-15PCBRM7T](#) [MDM-15PH003B-A174](#) [MDM-15PH034B](#) [MDM-15SH004B](#) [MDM-](#)
[21PH003K](#) [MDM-21PH003P](#) [MDM-25PH003B-A174](#) [MDM-9PH003M7](#) [MDM-9SH006B](#) [773030D02F030](#) [790-024PA-5MS](#) [790-024PB-](#)
[9ML](#) [790-027SH-10P4MEP](#) [790-041PJ-25P2MPA](#) [791-004SH-66MSA](#) [7R3A00A19A1201](#) [7R3A04A19A120](#)