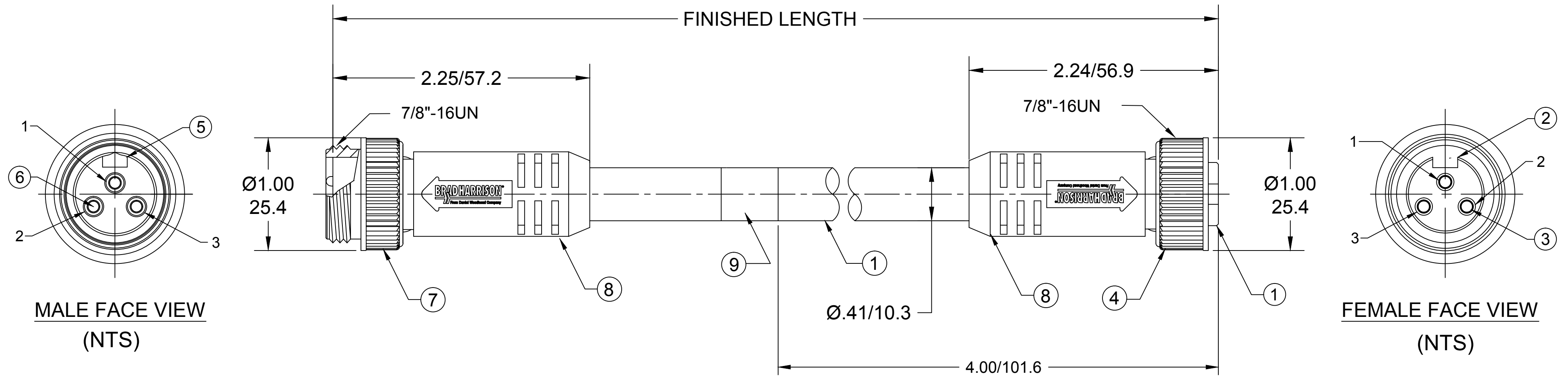


PART NO.	ENGINEERING NO.	FINISHED LENGTH
1300102070	113030K13M005	0.5M+44.5mm-0 [1'8"+1.75"-0]
1300100487	113030K13M010	1.0M+55.6mm-0 [3'3"+2.19"-0]
1300100488	113030K13M020	2.0M+88.9mm-0 [6'7"+3.50"-0]

CHART



NOTES:

- 1. MATERIAL: SEE TABLE
- 2. FINISH: SEE TABLE
- 3. ELECTRICAL:
VOLTAGE: 500V PER IEC 60664
600V PER UL 2238
CURRENT: 13A
- 4. TEMP RATING: -40°TO +90°C ^(D)
- 5. PROTECTION: IP67 (WHEN MATED)
- 6. UL CERTIFICATION: UL LISTED, FILE NO. E152210
- 7. ALL DIMS ARE FOR REFERENCE UNLESS NOTED OTHERWISE

113030K13M010 ^(D)

cable length

M005= 0.5 METER
M010= 1.0 METER
M100= 10.0 METER

1	GREEN-YELLOW	1
2	BLACK	2
3	WHITE	3

WIRING DIAGRAM

CABLE LENGTH TOLERANCES	
>.3M [1FT]:	+19mm-0 [+ .75in-0]
.3 - .9M [1 - 3FT]:	+44.5mm-0 [+1.75in-0]
.9 - 1.8M [3 - 6FT]:	+55.6mm-0 [+2.19in-0]
1.8 - 3.7M [6 - 12FT]:	+88.9mm-0 [+3.50in-0]
3.7 - 7.3M [12 - 24FT]:	+165.1mm-0 [+6.50in-0]
7.3-14.6M [24 - 48FT]:	+317.5mm-0 [+12.50in-0]
14.6 - 30.5M [48-100FT]:	+622.3mm-0 [+24.50in-0]
OVER 30M [100FT]	+2% OF FINISHED LENGTH

MECHANICAL CHARACTERISTICS:

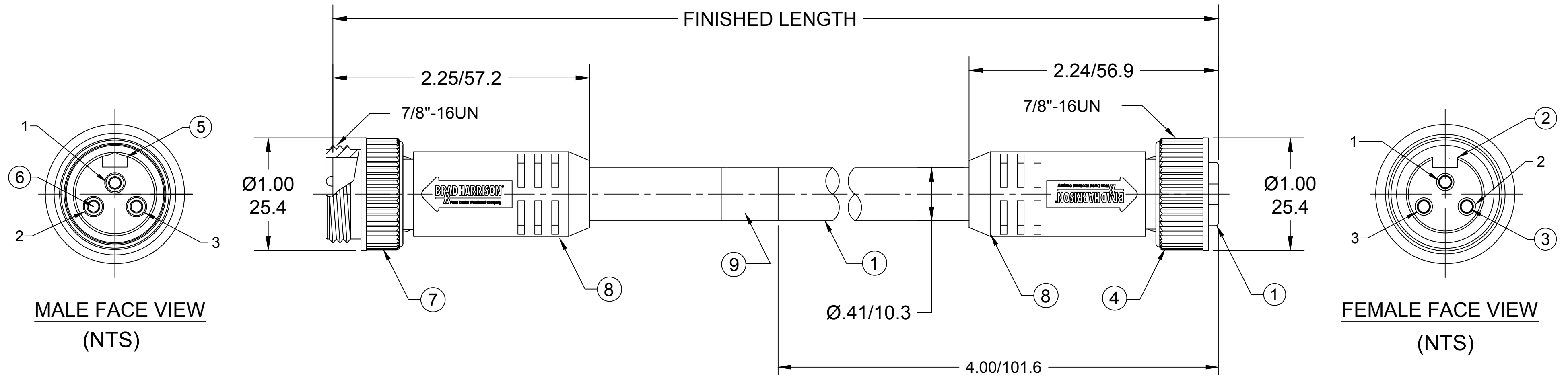
TORSIONAL FLEX TEST	20 MILLION CYCLES PER MIL-C-13777G
BEND FLEX TEST	20 MILLION CYCLES PER MIL-C-13777G
WELD SLAG RESISTANCE	WOODHEAD STANDARD S-300

ITEM	DESCRIPTION	MATERIAL	FINISH
9	WRAP LABEL	VINYL	BLACK/YELLOW
8	OVERMOLD	ARNITEL	YELLOW
7	COUPLING, MALE	ZINC DIE-CAST	BLACK
6	CONTACT PIN	COPPER ALLOY	GOLD PLATED
5	MALE INSERT (A-SIZE)	ARNITEL	YELLOW
4	COUPLING, FEMALE	ZINC DIE-CAST	BLACK
3	CONTACT SOCKET	COPPER ALLOY	GOLD PLATED
2	FEMALE INSERT (A-SIZE)	ARNITEL	YELLOW
1	CABLE, 16/3 TC-ER (HI-FLEX)	TPE JACKET	YELLOW

REV D	REV	DESCRIPTION	QUALITY SYMBOL	GENERAL TOLERANCES (UNLESS SPECIFIED)	DIMENSION STYLE IN/MM	SCALE NTS	DESIGN UNITS INCH	THIRD ANGLE PROJECTION							
	EC NO:	IPG2018-0001	DRWN:						AAKHTAR 2017/07/06	4 PLACES	mm	INCH	DRAWN BY	DATE	TITLE
	CH'KD:	MZIELIN 2017/07/06	3 PLACES						±---	±---	BARDEN	2015/08/12	MINI-CHANGE CORDSET		
	APPR:	BWOODMAN2015/08/12	2 PLACES						±---	±---	TWOLDEGE	2009/03/27	3 POLE MALE/FEMALE TPE CABLE		
			ANGULAR ±---	1 PLACE	±---	±---	APPROVED BY	DATE	MATERIAL NO.	DOCUMENT NO.	SHEET NO.				
			▽=0				JFMURPHY	2015/08/12	SEE MATRIX	SD-130010-001	1 OF 1				
			∇=0												
				DRAFT WHERE APPLICABLE MUST REMAIN WITHIN DIMENSIONS											
					SIZE C		THIS DRAWING CONTAINS INFORMATION THAT IS PROPRIETARY TO MOLEX INCORPORATED AND SHOULD NOT BE USED WITHOUT WRITTEN PERMISSION								

PART NO.	ENGINEERING NO.	FINISHED LENGTH
1300102070	113030K13M005	0.5M+44.5mm-0 [1'8"+1.75"-0]
1300100487	113030K13M010	1.0M+55.6mm-0 [3'3"+2.19"-0]
1300100488	113030K13M020	2.0M+88.9mm-0 [6'7"+3.50"-0]

CHART



NOTES:

1. MATERIAL: SEE TABLE
2. FINISH: SEE TABLE
3. ELECTRICAL:
VOLTAGE: 500V PER IEC 60664
600V PER UL 2238
CURRENT: 13A
4. TEMP RATING: -40°TO +90°C ^(D)
5. PROTECTION: IP67 (WHEN MATED)
6. UL CERTIFICATION: UL LISTED, FILE NO. E152210
7. ALL DIMS ARE FOR REFERENCE UNLESS NOTED OTHERWISE

113030K13M010 ^(D)

cable length

M005= 0.5 METER
M010= 1.0 METER
M100= 10.0 METER

1	GREEN-YELLOW	1
2	BLACK	2
3	WHITE	3

WIRING DIAGRAM

CABLE LENGTH TOLERANCES	
>.3M [1FT]:	+19mm-0 [+ .75in-0]
.3 - .9M [1 - 3FT]:	+44.5mm-0 [+1.75in-0]
.9 - 1.8M [3 - 6FT]:	+55.6mm-0 [+2.19in-0]
1.8 - 3.7M [6 - 12FT]:	+88.9mm-0 [+3.50in-0]
3.7 - 7.3M [12 - 24FT]:	+165.1mm-0 [+6.50in-0]
7.3-14.6M [24 - 48FT]:	+317.5mm-0 [+12.50in-0]
14.6 - 30.5M [48-100FT]:	+622.3mm-0 [+24.50in-0]
OVER 30M [100FT]	+2% OF FINISHED LENGTH

MECHANICAL CHARACTERISTICS:

TORSIONAL FLEX TEST	20 MILLION CYCLES PER MIL-C-13777G
BEND FLEX TEST	20 MILLION CYCLES PER MIL-C-13777G
WELD SLAG RESISTANCE	WOODHEAD STANDARD S-300

ITEM	DESCRIPTION	MATERIAL	FINISH
9	WRAP LABEL	VINYL	BLACK/YELLOW
8	OVERMOLD	ARNITEL	YELLOW
7	COUPLING, MALE	ZINC DIE-CAST	BLACK
6	CONTACT PIN	COPPER ALLOY	GOLD PLATED
5	MALE INSERT (A-SIZE)	ARNITEL	YELLOW
4	COUPLING, FEMALE	ZINC DIE-CAST	BLACK
3	CONTACT SOCKET	COPPER ALLOY	GOLD PLATED
2	FEMALE INSERT (A-SIZE)	ARNITEL	YELLOW
1	CABLE, 16/3 TC-ER (HI-FLEX)	TPE JACKET	YELLOW

REV	DESCRIPTION	QUALITY SYMBOL	GENERAL TOLERANCES (UNLESS SPECIFIED)		DIMENSION STYLE		SCALE	DESIGN UNITS	THIRD ANGLE PROJECTION	
			mm	INCH	IN/MM	NTS	INCH	TITLE		
D	REV	▽=0 ▽C=0	4 PLACES	±---	IN/MM	BARDEN	2015/08/12	MINI-CHANGE CORDSET 3 POLE MALE/FEMALE TPE CABLE		
			3 PLACES	±---		CHECKED BY	DATE			
			2 PLACES	±---		TWOLDEGE	2009/03/27	MOLEX INCORPORATED		
			1 PLACE	±---		APPROVED BY	DATE			
			ANGULAR ±---°			JFMURPHY	2015/08/12	DOCUMENT NO.		SHEET NO.
			DRAFT WHERE APPLICABLE MUST REMAIN WITHIN DIMENSIONS			MATERIAL NO. SEE MATRIX		SD-130010-001		1 OF 1
					SIZE	THIS DRAWING CONTAINS INFORMATION THAT IS PROPRIETARY TO MOLEX INCORPORATED AND SHOULD NOT BE USED WITHOUT WRITTEN PERMISSION				

X-ON Electronics

Largest Supplier of Electrical and Electronic Components

Click to view similar products for [D-Sub Micro-D Connectors](#) category:

Click to view products by [Molex](#) manufacturer:

Other Similar products are found below :

[89076GBEPR](#) [M2430815F](#) [M243082311F](#) [M2430833F](#) [M2430834F](#) [M24308/4-6F](#) [65-1920-15](#) [M83513/01-HN](#) [M83513/03-A10N](#)
[M83513/03-B14C](#) [M83513/03-D09C](#) [M83513/03-D11N](#) [M83513/03-G02N](#) [M83513/03-G05N](#) [M83513/03-G08C](#) [M83513/03-G09N](#)
[M83513/03-G12N](#) [M83513/03-H13N](#) [M83513/04-E15N](#) [M83513/04-G04C](#) [M83513/10-E01NP](#) [M83513/13-B01NP](#) [M83513/13-C01NN](#)
[M83513/16-A01CP](#) [M83513/22-D01NP](#) [M83513/25-B01NP](#) [6R2004A30F015](#) [6R4006A28A120](#) [703006A13F060](#) [704002A03F200](#)
[705001A13F120](#) [7-1532020-5](#) [748567-1-P](#) [MDM-15PCBRM7T](#) [MDM-15PH003B-A174](#) [MDM-15PH034B](#) [MDM-15SH004B](#) [MDM-](#)
[21PH003K](#) [MDM-21PH003P](#) [MDM-25PH003B-A174](#) [MDM-9PH003M7](#) [MDM-9SH006B](#) [773030D02F030](#) [790-024PA-5MS](#) [790-024PB-](#)
[9ML](#) [790-027SH-10P4MEP](#) [790-041PJ-25P2MPA](#) [791-004SH-66MSA](#) [7R3A00A19A1201](#) [7R3A04A19A120](#)