

PLEASE CHECK WWW.MOLEX.COM FOR LATEST PART INFORMATION

Part Number: [0011402096](#)
Status: **Active**
Overview: [Application Tooling](#)
Description: Terminator Die

Documents:

[RoHS Certificate of Compliance \(PDF\)](#)

General

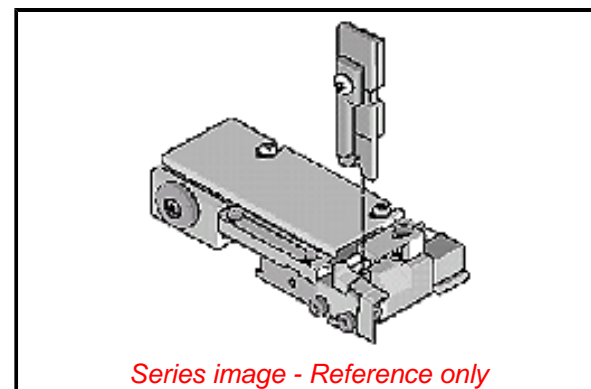
Product Family	Application Tooling
Series	207122
Function	Crimp
Geographic Area	Global
Level of Automation	Semi-Automatic
More Detailed Tech Information	applicationtooling@molex.com
Overview	Application Tooling
Product Name	N/A
Tool Type	Terminator Die
UPC	800753621114
Warranty Disclaimer	CAUTION: Molex tooling crimp specifications are valid only when used with Molex terminals and tooling manufactured by Molex and sold by Molex or authorized distributors ("Molex Tooling"). When using tooling other than Molex Tooling with Molex specific connector systems listed in our ATS documents, the Molex tooling qualification does not apply and the responsibility for full qualification of the connector system is that of the customer. Molex accepts no liability for connector performance or tooling support where tooling other than Molex Tooling is used or where Molex Tooling is modified.

Material Info

Engineering Number T8301AX

Reference - Drawing Numbers

Application Tooling Documents
 ATS-011402096-001, TM-638000029-001, TM-638000029CN-001, TM-638000029DE-001, TM-638000029FR-001, TM-638000029IT-001, TM-638000029JP-001, TM-638000029KR-001, TM-638000029MY-001, TM-638000029PL-001, TM-638000029RU-001, TM-638000029SK-001, TM-638000029SP-001, TM-638000029TH-001, TM-638000029TW-001, TM-638000029VN-001, TM-638500090-001, TM-638500090SP-001



EU ELV

Not Reviewed

EU RoHS

Not Reviewed

REACH SVHC

Not Reviewed

Halogen-Free

Status

Not Reviewed

For more information, please visit [Contact US](#)

China ROHS

Not Reviewed

ELV

Not Reviewed

RoHS Phthalates

Not Reviewed

Search Parts in this Series

[207122 Series](#)

Use With

Molex TM-42 Press [690025001](#) and Base Unit [11193001](#) for the 3BF Press

Application Tooling | FAQ

Description | Product #

KK 396 Crimp [8500105](#)

Terminal 2478, 18-24

AWG, Reel, Brass

Tin (Sn)

KK 396 Crimp [8520071](#)

Terminal 2478,

18-24 AWG, Reel,

Phosphor Bronze,

Tin (Sn)

KK Trifurcon Crimp [8520112](#)

Terminal 6838,

18-20 AWG, Reel,

Phosphor Bronze

Tin(Sn)

KK 396 Crimp [8560105](#)

Terminal 2478, 18-24

AWG, Reel, Brass,

0.51µm Selective Gold (Au)	
KK 396 Crimp Terminal 2478, 18-24 AWG, Reel, Phosphor Bronze, 0.51µm Selective Gold (Au)	<u>8580121</u>
KK Trifurcon Crimp Terminal 6438, 18-20 AWG, Reel, Phosphor Bronze Gold (Au)	<u>8580187</u>
KK 396 Crimp Terminal 2478, 18-24 AWG, Reel, Phosphor Bronze, 0.38µm Selective Gold (Au)	<u>8650114</u>
3.96mm Pitch EdgeMate Crimp Terminal, Phosphor Bronze, Tin (Sn), Bifurcated, 18-20 AWG, Reel	<u>1721601803</u>
3.96mm Pitch EdgeMate Crimp Terminal, Brass, Gold (Au), Bifurcated, 18-20 AWG, Reel	<u>1721601805</u>

This document was generated on 11/02/2021

PLEASE CHECK WWW.MOLEX.COM FOR LATEST PART INFORMATION

X-ON Electronics

Largest Supplier of Electrical and Electronic Components

Click to view similar products for [Punches & Dies](#) category:

Click to view products by [Molex](#) manufacturer:

Other Similar products are found below :

[58510-1](#) [63454-1601](#) [63457-0056](#) [63457-3401](#) [730-5/8](#) [730BB-1-3/8](#) [734410](#) [PV-670508-001](#) [1328](#) [1338](#) [13782656](#) [13782673](#) [AR-19](#) [AR-24](#) [1528-TL](#) [1583609-1](#) [1720](#) [1762951-1](#) [2063500-2](#) [19031-0168](#) [AR-20](#) [AR-23](#) [CD5-8](#) [313336-3](#) [11-19-3122](#) [539663-1](#) [63446-2241](#) [TL-18](#) [0634451912](#) [1762674-1](#) [63454-0123](#) [68240-1](#) [68247-1](#) [734252](#) [313183-1](#) [PA2029](#) [119174-001](#) [23846-1](#) [11-40-5342](#) [68010-2](#) [690370015](#) [730BB-1-1/8](#) [730BB-1-1/16](#) [19032-0048](#) [63465-0023](#) [11-40-4438](#) [63457-0041](#) [19032-0202](#) [11-11-0054](#) [11-11-0052](#)