

6

5

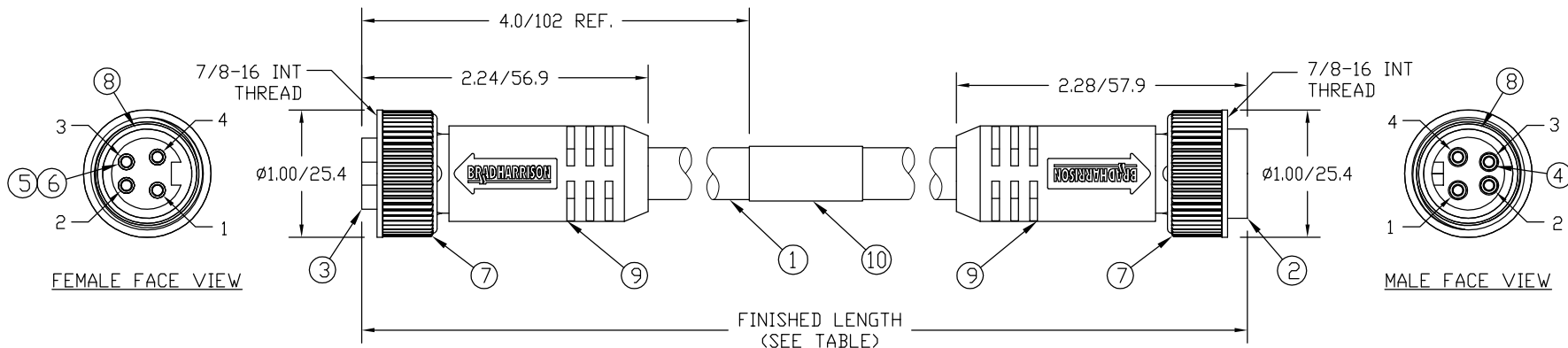
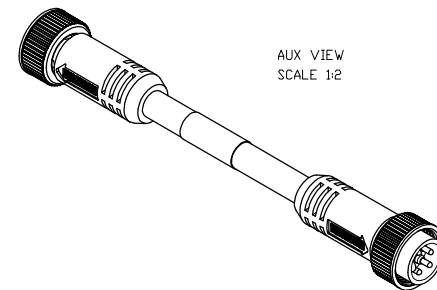
4

3

2

1

MATERIAL NUMBER	ENGINEERING NUMBER	FINISHED LENGTH
130010-0519	114020A01F030	3.00' +1.75' -0 [0.9M +44.5mm -0]
130010-0525	114020A01F060	6.00' +2.19' -0 [1.8M +55.6mm -0]
130010-0533	114020A01F120	12.00' +3.50' -0 [3.7M +88.9mm -0]
130010-0541	114020A01F200	20.00' +6.50' -0 [6.1M +165.1mm -0]



- NOTES:
- 1) MATERIALS: SEE TABLE
 - 2) FINISHES: SEE TABLE
 - 3) CABLE: #16/4 ST00W/ST PVC
 - 4) ELECTRICAL DATA:
MAX. VOLTAGE: 600 VAC/VDC
MAX. CURRENT 10 AMPS
 - 5) ENVIRONMENTAL:
PROTECTION IP67
TEMPERATURE RANGE: -20°C TO 105°C
 - 6) WRAP LABEL IS MARKED WITH P/N, DATE CODE, VOLTAGE & AMPERAGE.
 - 7) ASSEMBLY IS RoHS COMPLIANT.

S1		P1
1	BLACK	1
2	WHITE	2
3	RED	3
4	GREEN/YELLOW - GND	4

WIRING DIAGRAM

ITEM	QTY.	DESCRIPTION	MATERIAL	FINISH
10	1	LABEL	NYLAR	BLACK/YELLOW
9	2	OVERMOLD	PVC	YELLOW
8	2	FRICTION RING	NYLON	WHITE
7	2	COUPLING NUT	ZINC DIECAST	BLACK E-COAT
6	4	SOCKET SLEEVE	STAINLESS STEEL	
5	4	CONTACT SOCKET	BRASS	GOLD OVER NICKEL
4	4	CONTACT PIN	BRASS	GOLD OVER NICKEL
3	1	FEMALE INSERT, 4 POLE	PVC	YELLOW
2	1	MALE INSERT, 4 POLE	PVC	YELLOW
1	1	CABLE, ST00W/ST #16/4	PVC JACKET	YELLOW

RELEASED DRAWING EC NO: WNA2009-0846 DRWN: LHARTMAN 8/10/09 CHKD: BWOODMAN09/08/11 APPR: JFMURPHY 2009/08/14	QUALITY SYMBOLS 	GENERAL TOLERANCES (UNLESS SPECIFIED)		DIMENSION STYLE IN/MM	SCALE 1:1	DESIGN UNITS INCH	THIRD ANGLE PROJECTION
		4 PLACES ±--- ±---	DRAWN BY LHARTMAN DATE 2009/08/10	TITLE MINI-CHANGE CORDSET 4P MALE/FEMALE ST/ST #16/4 YELLOW ST00W/ST			
		3 PLACES ±--- ±---	CHECKED BY BWOODMAN DATE 2009/08/11	MOLEX INCORPORATED			
		2 PLACES ±--- ±0.1 1 PLACE ±0.3 ±---	APPROVED BY _____ DATE _____	MATERIAL NO. SEE TABLE	DOCUMENT NO. SD-130010-005	SHEET NO. 1 OF 1	
DRAFT WHERE APPLICABLE MUST REMAIN WITHIN DIMENSIONS		SIZE A	THIS DRAWING CONTAINS INFORMATION THAT IS PROPRIETARY TO MOLEX INCORPORATED AND SHOULD NOT BE USED WITHOUT WRITTEN PERMISSION				

6

5

4

3

2

1

X-ON Electronics

Largest Supplier of Electrical and Electronic Components

Click to view similar products for [Sensor Cables / Actuator Cables](#) category:

Click to view products by [Molex](#) manufacturer:

Other Similar products are found below :

[60963](#) [60964](#) [703000D02F2002](#) [703001D02F0602](#) [703001D02F300](#) [704000D02F120](#) [773032K02F030](#) [802027107404-1](#) [802027213811-1](#)
[804001A09M150](#) [805001A09M0502](#) [84914-0235](#) [84914-0237](#) [885030A09M020](#) [8R4J30E03C3003](#) [1200651332](#) [1200651713](#) [1200660844](#)
[1200660845](#) [1200661173](#) [1200680071](#) [1200720053](#) [1200720081](#) [1200720099](#) [1200720217](#) [1200800231](#) [1200860125](#) [1200870123](#)
[1200980102](#) [1200650267](#) [1200650298](#) [1200660183](#) [1200660782](#) [1200660849](#) [1200661295](#) [1200661297](#) [1200661342](#) [1200661343](#)
[1200670080](#) [1200670220](#) [1200680331](#) [1200720252](#) [1200730184](#) [1200860344](#) [1200870359](#) [1200870643](#) [1200980008](#) [1200980031](#)
[1210502211](#) [1210400542](#)