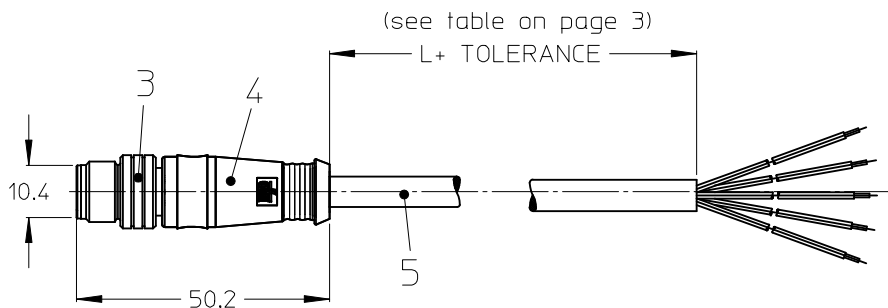
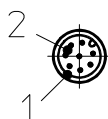


STRAIGHT PLUG MALE



NOTES:

TEMPERATURE RANGE SEE TABLE ON PAGE 2

CONTACT CURRENT RATING 3-5 POLES 4A
8 POLES 2A

VOLTAGE RATING 3-4 POLES 250V
5 POLES 60V
8 POLES 30V

PROTECTION CLASS IP 67

TOLERANCES

≤ 1m +20/-10mm
1m - 5m ± 25mm
5m - 10m ± 30mm
> 10m ± 30mm
> 20m ± 50mm

3 WIRE		4 WIRE		5 WIRE		8 WIRE	
PIN #	WIRE	PIN #	WIRE	PIN #	WIRE	PIN #	WIRE
1	BROWN	1	BROWN	1	BROWN	1	WHITE
2	-	2	WHITE	2	WHITE	2	BROWN
3	BLUE	3	BLUE	3	BLUE	3	GREEN
4	BLACK	4	BLACK	4	BLACK	4	YELLOW
5	-	5	-	5	GREY	5	GREY
						6	PINK
						7	BLUE
						8	RED
REQUIRED TO IEC 60947-5-2				REQUIRED TO DIN 47100			

5	CABLE	SEE TABLE (PAGE 2)	---
4	OVERMOULDING	TPU	BLACK
3	MALE COUPLING NUT	BRASS	NI PLATED
2	PIN CONTACT	BRASS	GOLD PLATED
1	INSERT	PA	BLACK
ITEM	PART	MATERIAL	FINISH

ENTER DESCRIPTION EC NO: IPG2014-0972 DRWN:FSCHAFHAUSER 2013/11/26 CHKD:PMERUNKA 2014/06/10 APPR:RSILLER 2014/06/18	DESCRIPTION REV 2	QUALITY SYMBOLS ▽=0 ◻=0	GENERAL TOLERANCES (UNLESS SPECIFIED)	DIMENSION STYLE MM ONLY	SCALE 1:1	DESIGN UNITS METRIC	THIRD ANGLE PROJECTION																																	
		<table border="1"> <tr> <th></th> <th>mm</th> <th>INCH</th> </tr> <tr> <td>4 PLACES</td> <td>± ---</td> <td>± ---</td> </tr> <tr> <td>3 PLACES</td> <td>± ---</td> <td>± ---</td> </tr> <tr> <td>2 PLACES</td> <td>± 0.05</td> <td>± ---</td> </tr> <tr> <td>1 PLACE</td> <td>± 0.10</td> <td>± ---</td> </tr> <tr> <td>0 PLACE</td> <td>± ---</td> <td>± ---</td> </tr> </table>		mm	INCH	4 PLACES	± ---	± ---	3 PLACES	± ---	± ---	2 PLACES	± 0.05	± ---	1 PLACE	± 0.10	± ---	0 PLACE	± ---	± ---	<table border="1"> <tr> <td>DRAWN BY</td><td>DATE</td><td>TITLE</td> </tr> <tr> <td>PMERUNKA</td><td>2012/04/20</td><td rowspan="3">CSE M12 XP AC MA STR XM SE UNSH</td> </tr> <tr> <td>CHECKED BY</td><td>DATE</td> </tr> <tr> <td>RSILLER</td><td>2013/01/18</td> </tr> <tr> <td>APPROVED BY</td><td>DATE</td><td></td> </tr> <tr> <td>APOHL</td><td>2013/11/18</td><td></td> </tr> </table>	DRAWN BY	DATE	TITLE	PMERUNKA	2012/04/20	CSE M12 XP AC MA STR XM SE UNSH	CHECKED BY	DATE	RSILLER	2013/01/18	APPROVED BY	DATE		APOHL	2013/11/18				MATERIAL NO.
	mm	INCH																																						
4 PLACES	± ---	± ---																																						
3 PLACES	± ---	± ---																																						
2 PLACES	± 0.05	± ---																																						
1 PLACE	± 0.10	± ---																																						
0 PLACE	± ---	± ---																																						
DRAWN BY	DATE	TITLE																																						
PMERUNKA	2012/04/20	CSE M12 XP AC MA STR XM SE UNSH																																						
CHECKED BY	DATE																																							
RSILLER	2013/01/18																																							
APPROVED BY	DATE																																							
APOHL	2013/11/18																																							
DRAFT WHERE APPLICABLE MUST REMAIN WITHIN DIMENSIONS			ANGULAR ± .5 °	SEE TABLE	SD-120065-049	1 OF 3																																		
THIS DRAWING CONTAINS INFORMATION THAT IS PROPRIETARY TO MOLEX INCORPORATED AND SHOULD NOT BE USED WITHOUT WRITTEN PERMISSION																																								

NUMERICAL CODE (Available parts see table page 3 ff others on request.)



80 = M12x1
single ended

poles:
3 = 3 poles
4 = 4 poles
5 = 5 poles

header:
006 = plug male straight

M = meter
C = centimeter

length:
Example
020 = 2 m

Cable:
E02 = 0,25mm², PVC black
E03 = 0,34mm², PVC black
H08 = 0,25mm², PUR black LS0H
H09 = 0,34mm², PUR black LS0H
I03 = 0,34mm², PVC grey
K05 = 0,34mm², TPE yellow
P02 = 0,25mm², PUR/PVC black
P03 = 0,34mm², PUR/PVC black
P82 = 0,34mm², PUR black irradiated
I20 = 0,34mm², PVC grey

CABLE TYPE	WIRE GAUGE	CABLE JACKET	UL	CSA	static	flexing	drag chain tested	other
E02	0.25mm ²	PVC black	STYLE 2464	1/11 A/B 80°/300V	-30°C to +80°C 5xD	-5°C to +80°C 9xD	---	---
E03	0.34mm ²	PVC black	STYLE 2464	1/11 A/B 80°/300V	-30°C to +80°C 5xD	-5°C to +80°C 9xD	---	---
H08	0.25mm ²	PUR black LS0H	AWM STYLE 21198/10493	APPROVED	-50°C to +80°C 5xD	-25°C to +80°C 10xD	2000000 cycles	---
H09	0.34mm ²	PUR black LS0H	AWM STYLE 21198/10493	APPROVED	-50°C to +80°C 5xD	-25°C to +80°C 10xD	drag chain 60°C	---
I03	0.34mm ²	PVC grey	---	---	-30°C to +70°C	-5°C to +70°C	---	---
K05	0.34mm ²	TPE yellow	ITC E195601 or PLTC	AWM 1/11 A/B FT4 LL54185	---	---	---	CSA-US: ITC LL54185-02
P02	0.25mm ²	PUR/PVC black	not applicable	not applicable	-30°C to +80°C 7xD	-5°C to +80°C 15xD	---	---
P03	0.34mm ²	PUR/PVC black	not applicable	not applicable	-30°C to +80°C 7xD	-5°C to +80°C 15xD	---	---
P82	0.34mm ²	irrad. PUR orange	---	---	-50°C to +105°C 5xD	-40°C to +105°C 7.5xD	---	---
I20	0.34mm ²	PVC grey	---	---	-30°C to +70°C	-5°C to +70°C	---	---

ENTER DESCRIPTION EC NO: IPG2014-0972 DRWN:FSCHAHAUSER 2013/11/26 CHKD:PMERUNKA 2014/06/10 APPR:RSILLER 2014/06/18	QUALITY SYMBOLS ▽=0 ◻=0	GENERAL TOLERANCES (UNLESS SPECIFIED)		DIMENSION STYLE MM ONLY		SCALE 1:1	DESIGN UNITS METRIC	THIRD ANGLE PROJECTION		
		4 PLACES	± ---	± ---	DRAWN BY PMERUNKA	DATE 2012/04/20	TITLE CSE M12 XP AC MA STR XM SE UNSH			
		3 PLACES	± ---	± ---	CHECKED BY RSILLER	DATE 2013/01/18				
		2 PLACES	± 0.05	± ---	APPROVED BY APOHL	DATE 2013/11/18	DOCUMENT NO. SD-120065-049			
1 PLACE	± 0.10	± ---	MATERIAL NO. SEE TABLE		SHEET NO. 2 OF 3					
0 PLACE	± ---	± ---	ANGULAR ± .5 °		THIS DRAWING CONTAINS INFORMATION THAT IS PROPRIETARY TO MOLEX INCORPORATED AND SHOULD NOT BE USED WITHOUT WRITTEN PERMISSION					
DRAFT WHERE APPLICABLE MUST REMAIN WITHIN DIMENSIONS										

PART LIST

PART NUMBER	NUMERICAL CODE	CABLE LENGTH "L" IN M
1200064353	803006E03M003	0.3M
1200658526	803006E03M005	0.5M
1200658565	803006E03M010	1M
1200060240	803006E03M020	2M
1200062017	803006E03M030	3M
1200658566	803006E03M040	4M
1200060241	803006E03M050	5M
1200060242	803006E03M100	10M
1200061611	803006E03M150	15M
1200658892	803006H09M003	0.3M
1200658653	803006H09M010	1M
1200658654	803006H09M015	1.5M
1200658655	803006H09M020	2M
1200658656	803006H09M030	3M
1200658657	803006H09M040	4M
1200658248	803006H09M050	5M
1200658247	803006H09M100	10M
1200060252	803006I03M020	2M
1200060253	803006I03M030	3M
1200658595	803006I03M040	4M
1200060254	803006I03M050	5M
1200651113	803006K05M006	0.6M
1200652035	803006K05M015	1.5M
1200651114	803006K05M020	2M
1200651115	803006K05M025	2.5M
1200651116	803006K05M040	4M
1200651117	803006K05M050	5M
1200651118	803006K05M060	6M
1200651119	803006K05M100	10M
1200060256	803006P03M002	0.2M
1200658055	803006P03M003	0.3M
1200064160	803006P03M005	0.5M
1200064853	803006P03M010	1M
1200060257	803006P03M020	2M
1200060260	803006P03M030	3M
1200658612	803006P03M040	4M
1200060261	803006P03M050	5M
1200658613	803006P03M100	10M
1200064014	803006P82M006	0.6M
1200064375	803006P82M010	1M
1200063077	804006E02M005	0.5M
1200659034	804006E02M050	5M
1200659036	804006E02M070	7M
1200659037	804006E02M100	10M
1200658265	804006E03C550	5M
1200064251	804006E03M003	0.3M
1200064252	804006E03M005	0.5M
1200060558	804006E03M006	0.6M
1200060559	804006E03M010	1M
1200060560	804006E03M020	2M

PART NUMBER	NUMERICAL CODE	CABLE LENGTH "L" IN M
1200062830	804006E03M020	2M
1200060561	804006E03M030	3M
1200658571	804006E03M040	4M
1200060562	804006E03M050	5M
1200659186	804006E03M060	6M
1200658542	804006E03M070	7M
1200060563	804006E03M100	10M
1200060046	804006E03M120	10.2M
1200658876	804006E03M150	10.5M
1200062426	804006E03M200	20M
1200658890	804006H09M003	0.3M
1200658727	804006H09M010	1M
1200658728	804006H09M015	1.5M
1200658729	804006H09M020	2M
1200658730	804006H09M030	3M
1200658731	804006H09M040	4M
1200658732	804006H09M050	5M
1200658733	804006H09M100	10M
1200658895	804006H09M200	20M
1200658325	804006I03M010	1M
1200060565	804006I03M020	2M
1200658601	804006I03M040	4M
1200060567	804006I03M050	5M
1200060568	804006I03M100	10M
1200061023	804006I20M003	0.3M
1200651356	804006K03M005	0.5M
1200652024	804006K03M006	0.6M
1200651357	804006K03M010	1M
1200651359	804006K03M020	2M
1200652027	804006K03M030	3M
1200652025	804006K03M036	3M
1200651360	804006K03M040	4M
1200651361	804006K03M050	5M
1200651362	804006K03M060	6M
1200651128	804006K05M006	0.6M
1200652082	804006K05M010	1M
1200651363	804006K05M030	3M
1200651130	804006K05M040	4M
1200651131	804006K05M050	5M
1200651132	804006K05M060	6M

PART NUMBER	NUMERICAL CODE	CABLE LENGTH "L" IN M
1200651133	804006K05M100	10M
1200061855	804006P03M006	0.6M
1200064347	804006P03M007	0.7M
1200061633	804006P03M010	1M
1200064261	804006P03M011	1.1M
1200060570	804006P03M020	2M
1200060571	804006P03M030	3M
1200652141	804006P03M040	4M
1200060047	804006P03M050	5M

ENTER DESCRIPTION EC NO: IPG2014-0972 DRW:NFSCHAFHAUSER 2013/11/26 CHKD:PIMERUNKA 2014/06/10 APPR:RSILLER 2014/06/18	QUALITY SYMBOLS ▽=0 ◻=0	GENERAL TOLERANCES (UNLESS SPECIFIED)		DIMENSION STYLE MM ONLY	SCALE 1:1	DESIGN UNITS METRIC	THIRD ANGLE PROJECTION		
		4 PLACES ± --- ± --- 3 PLACES ± --- ± --- 2 PLACES ± 0.05 ± --- 1 PLACE ± 0.10 ± --- 0 PLACE ± --- ± ---	mm INCH	DRAWN BY: PMERUNKA CHECKED BY: RSILLER APPROVED BY: APOHL	DATE: 2012/04/20 DATE: 2013/01/18 DATE: 2013/11/18	TITLE CSE M12 XP AC MA STR XM SE UNSH			
		ANGULAR ± .5 °		DRAFT WHERE APPLICABLE MUST REMAIN WITHIN DIMENSIONS		MATERIAL NO. SEE TABLE		DOCUMENT NO. SD-120065-049	
		SIZE A3		THIS DRAWING CONTAINS INFORMATION THAT IS PROPRIETARY TO MOLEX INCORPORATED AND SHOULD NOT BE USED WITHOUT WRITTEN PERMISSION					

X-ON Electronics

Largest Supplier of Electrical and Electronic Components

Click to view similar products for [molex](#) manufacturer:

Other Similar products are found below :

[60506-C-50](#) [73108](#) [72903](#) [1062837003](#) [0533241060](#) [68301-1017](#) [71506-C](#) [880504](#) [387790039](#) [53254-0710](#) [85071-0017](#) [387204903](#)
[783472003](#) [514412093](#) [0436500518](#) [0194180027](#) [0192210405](#) [0191640082](#) [0982660127](#) [0152670317](#) [0192210414](#) [0982670277](#)
[0026482195](#) [0191310031](#) [503308-4410](#) [0190070015](#) [02-09-6102](#) [0008650814](#) [791099208](#) [0039000218](#) [89762-1403](#) [89762-1542](#) [89762-](#)
[1582](#) [0011404526](#) [00136](#) [0022173102](#) [0026615060](#) [CR4006A30M003](#) [0039532085](#) [58098-0628](#) [0003092041](#) [0008520123](#) [0011030025](#)
[0011184017](#) [0022162060](#) [0022552102](#) [01312](#) [M15730061](#) [61432](#) [6150300002](#)