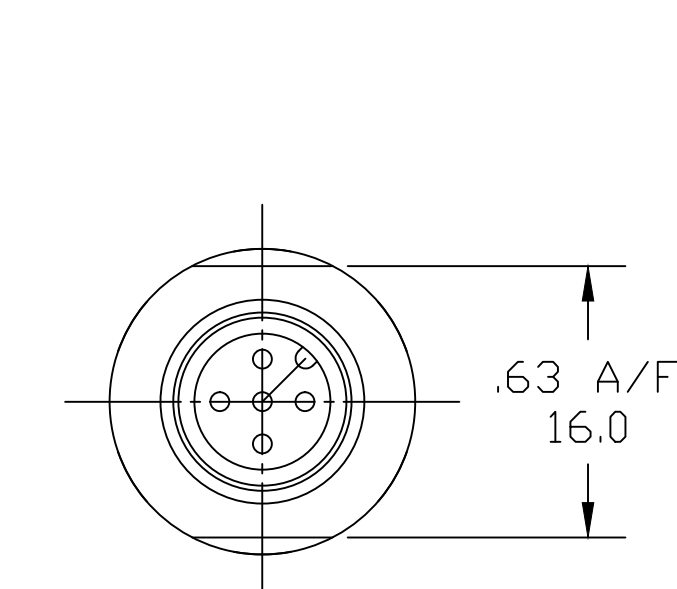


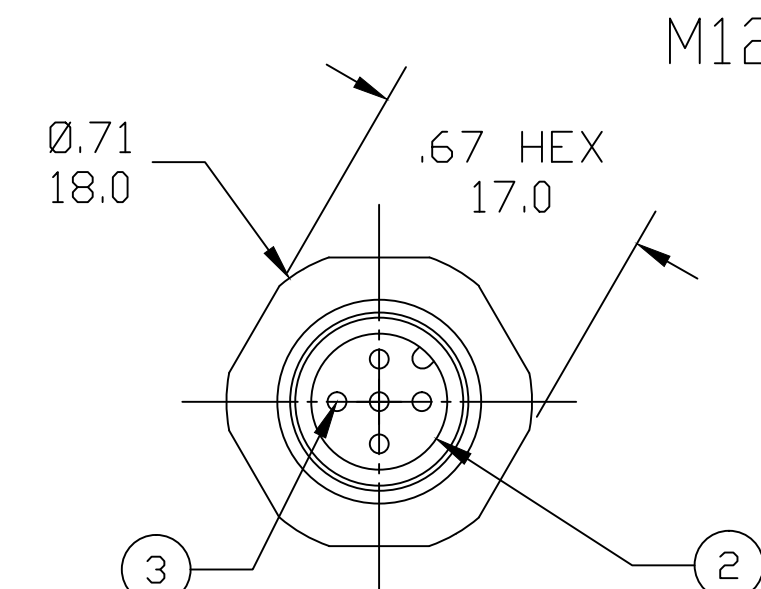
MALE FACE VIEWS (B)			
3P	4P	5P	8P
Pin Wire color 1 BROWN 2 WHITE 3 BLUE 4 BLACK	Pin Wire color 1 BROWN 2 WHITE 3 BLUE 4 BLACK	Pin Wire color 1 BROWN 2 WHITE 3 BLUE 4 BLACK 5 GRAY	Pin Wire color 1 WHITE 2 BROWN 3 GREEN 4 YELLOW 5 GRAY 6 PINK 7 BLUE 8 RED

Part No. MATRIX

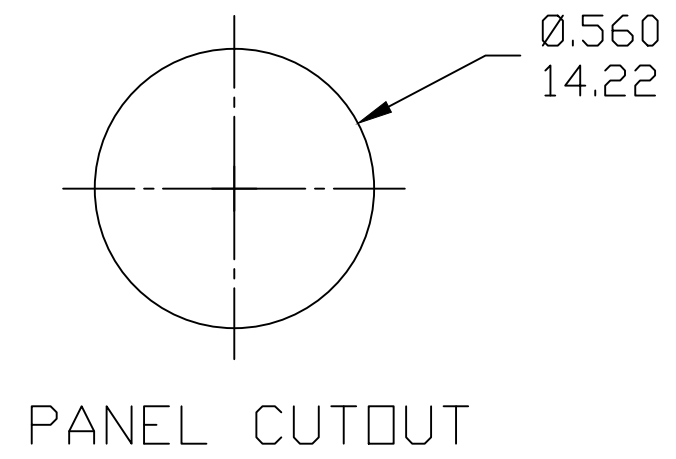
8	R	4	E	3	6	E	0	3	C	3	0	0	3
Micro Change Receptacle	Poles 3, 4, 5, & 8	Male Contact Male Thread M12 M14x1 Mounting Thread	E02=0.25mm (24 AWG) PVC E03=0.34mm (22 AWG) PVC	C=CENTIMETRES M=METERS	LENGTH C030=3cm C300=30cm M010=1 Meter M100=10 Meters	Shell Material 1=Stainless Steel 3=Brass Nickel Plated (Std) 5=Plastic (Delrin)							



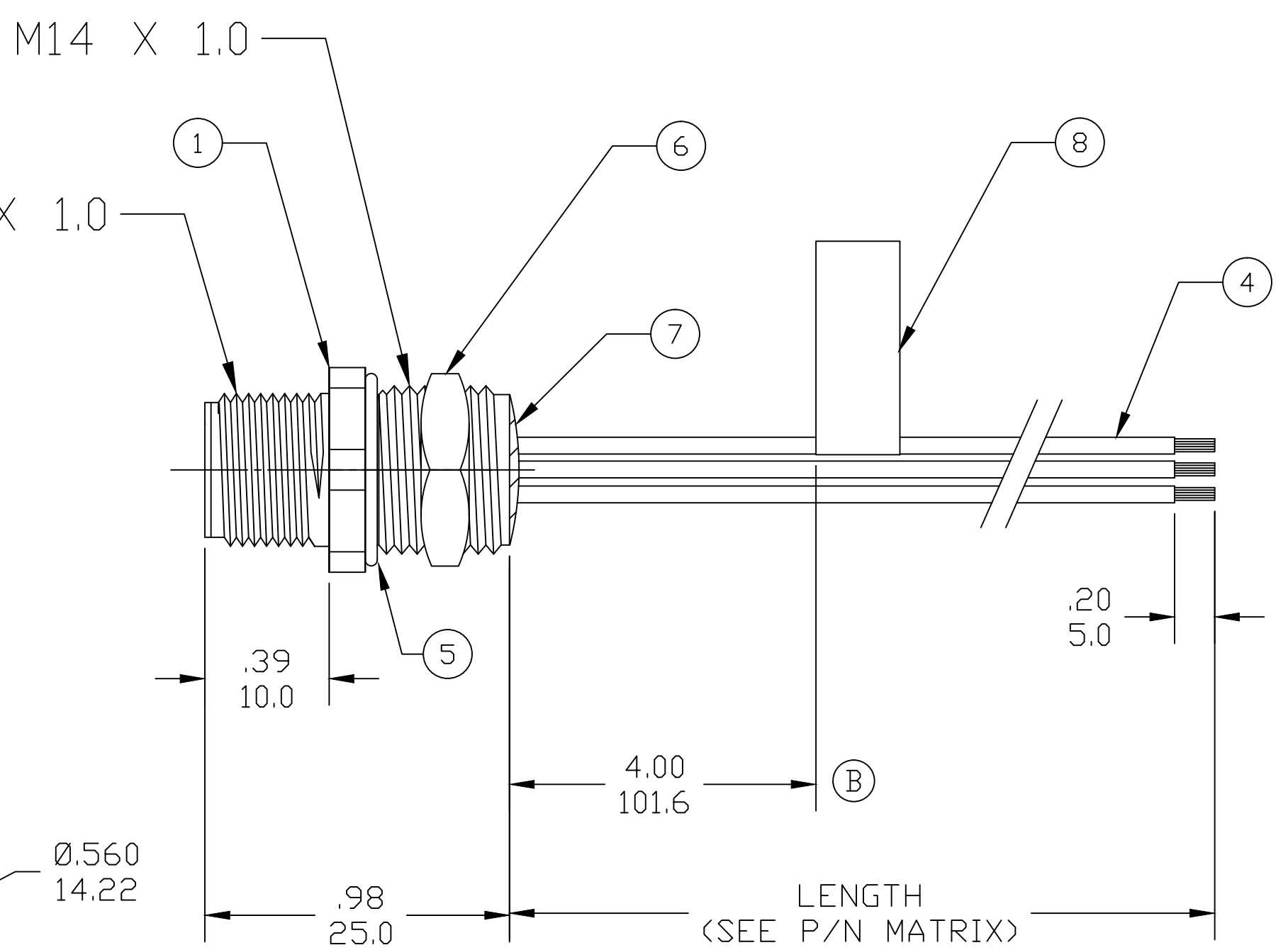
FLANGE DETAIL (PLASTIC SHELL)



FLANGE DETAIL (SS & BRASS SHELL)



PANEL CUTOUT



- NOTES:**
- MATERIAL: SEE TABLE
 - FINISH: SEE TABLE
 - ELECTRICAL:
VOLTAGE: 250V AC/DC
CURRENT: 4A
 - TEMP RATING: -20° TO +80°C
 - PROTECTION: IP67 (WHEN MATED)
 - ALL DIMS ARE FOR REFERENCE UNLESS NOTED OTHERWISE

TABLE

ITEM	DESCRIPTION	MATERIAL	FINISH
8	FLAG LABEL	VINYL	BLACK/YELLOW
7	POTTING MATERIAL	PUR	
6	LOCKNUT	STEEL	ZINC PLATED
5	O-RING	NBR	BLACK
4	WIRE, (SEE P/N MATRIX)	PVC INSULATION	SEE FACE VIEWS
3	CONTACT PIN	COPPER ALLOY	GOLD PLATED
2	MALE INSERT	NYLON	BLACK
1	RECEPTACLE SHELL	SEE PART NO MATRIX	SEE PART NO MATRIX

CORRECT PINOUTS, ADD LABEL DIM EC NO.: IPG2018-0315 DRWN: RSTONE 12/12/17 CHKD: M ZIELIN 2017/12/12 APPR: BWOODMAN2017/01/03	QUALITY SYMBOL	GENERAL TOLERANCES (UNLESS SPECIFIED)		DIMENSION STYLE		SCALE	DESIGN UNITS	THIRD ANGLE PROJECTION	
		4 PLACES	mm	INCH	IN/MM		---	METRIC	DRAWN BY: RSTONE DATE: 2016/12/09
		3 PLACES			DATE: 2016/12/15				
		2 PLACES			DATE: 2017/01/03				
	1 PLACE			MATERIAL NO. ---		DOCUMENT NO. SD-120070-236		SHEET NO. 1 OF 1	
	ANGULAR ±---°		DRAFT WHERE APPLICABLE MUST REMAIN WITHIN DIMENSIONS		THIS DRAWING CONTAINS INFORMATION THAT IS PROPRIETARY TO MOLEX INCORPORATED AND SHOULD NOT BE USED WITHOUT WRITTEN PERMISSION				

X-ON Electronics

Largest Supplier of Electrical and Electronic Components

Click to view similar products for [Sensor Cables / Actuator Cables](#) category:

Click to view products by [Molex](#) manufacturer:

Other Similar products are found below :

[60963](#) [60964](#) [703000D02F2002](#) [703001D02F0602](#) [703001D02F300](#) [704000D02F120](#) [773032K02F030](#) [802027107404-1](#) [802027213811-1](#)
[804001A09M150](#) [805001A09M0502](#) [84914-0235](#) [84914-0237](#) [885030A09M020](#) [8R4J30E03C3003](#) [1200651332](#) [1200651713](#) [1200660844](#)
[1200660845](#) [1200661173](#) [1200680071](#) [1200720053](#) [1200720081](#) [1200720099](#) [1200720217](#) [1200800231](#) [1200860125](#) [1200870123](#)
[1200980102](#) [1200650267](#) [1200650298](#) [1200660183](#) [1200660782](#) [1200660849](#) [1200661295](#) [1200661297](#) [1200661342](#) [1200661343](#)
[1200670080](#) [1200670220](#) [1200680331](#) [1200720252](#) [1200730184](#) [1200860344](#) [1200870359](#) [1200870643](#) [1200980008](#) [1200980031](#)
[1210502211](#) [1210400542](#)