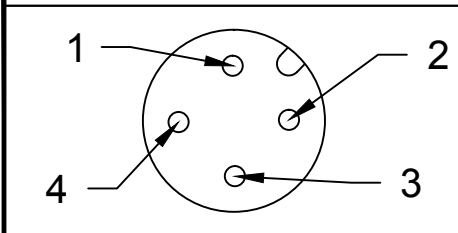
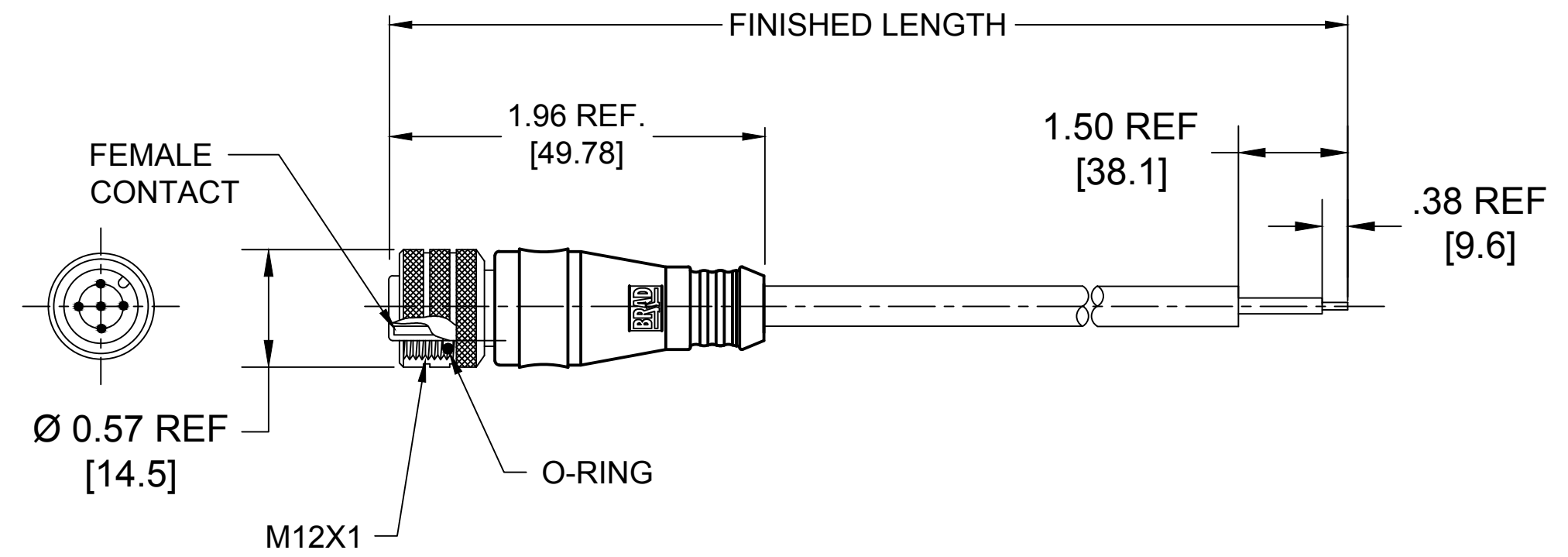


FACE VIEW-MALE INSERT



- 1 BROWN
- 2 WHITE
- 3 BLUE
- 4 BLACK

SAP P/N #	MATERIAL NUMBER	FINISHED LENGTH
1200651511	804000C02M020	78.74" +3.50"/-0.0 (2000 mm +88.9/-0.0)



SPECIFICATIONS

MATERIALS:

- COUPLING NUT: BRASS WITH NICKEL PLATING AND TEFLON COAT
- OVERMOLD: YELLOW TPE
- CABLE: 18/4 SJOOW CPE YELLOW
- O-RING: FPM COLOR RED
- CONTACT: COPPER ALLOY, GOLD PLATED

ELECTRICAL:

- CURRENT RATING: 4A
- VOLTAGE: 250V

MECHANICAL:

- TEMPERATURE RATING: -20°C TO 80°C
- PROTECTION: IP67 (IN FULLY MATED POSITION)

ASSEMBLY IS ROHS COMPLIANT BY EXEMPTION

CUSTOMER PRODUCTION APPROVAL
 APPROVED BY: _____
 DATE: _____
 MUST BE SIGNED AND RETURNED BEFORE
 PRODUCTION WILL BEGIN.

RESTRICTED SALES DRAWING

NEW RELEASE EC NO: JFMURPHY DRWN: CAAVILES 2014/11/11 CHKD: EBRAMBIL APPR: JFMURPHY 2015/01/22	DESCRIPTION REV	QUALITY SYMBOLS	GENERAL TOLERANCES (UNLESS SPECIFIED)		DIMENSION STYLE INCH / MM		SCALE NTS	DESIGN UNITS INCH	THIRD ANGLE PROJECTION
		▽=0	mm	INCH	DRAWN BY	DATE	TITLE MICRO CHANGE ASSEMBLY 4-POLE FEMALE ST 18/4C AWG YELLOW CPE		
		∇=0	4 PLACES ±---	±---	CAAVILES	2014/11/11			
			3 PLACES ±---	±---	CHECKED BY	DATE			
		2 PLACES ±---	±.01	EBRAMBIL	---	MATERIAL NO. SEE CHART	DOCUMENT NO. SD-120065-098	SHEET NO. 1 OF 1	
		1 PLACE ±0.3	±---	APPROVED BY	DATE				
		ANGULAR ±---°		JFMURPHY	2015/01/22	MOLEX INCORPORATED			
		DRAFT WHERE APPLICABLE MUST REMAIN WITHIN DIMENSIONS		SIZE B		THIS DRAWING CONTAINS INFORMATION THAT IS PROPRIETARY TO MOLEX INCORPORATED AND SHOULD NOT BE USED WITHOUT WRITTEN PERMISSION			

X-ON Electronics

Largest Supplier of Electrical and Electronic Components

Click to view similar products for [Sensor Cables / Actuator Cables](#) category:

Click to view products by [Molex](#) manufacturer:

Other Similar products are found below :

[60963](#) [60964](#) [703000D02F2002](#) [703000D02F300](#) [703001D02F0602](#) [703001D02F1201](#) [703001D02F300](#) [704000D02F120](#) [MDM21SH001F](#)
[773032K02F030](#) [802027107404-1](#) [802027213811-1](#) [804001A09M150](#) [805001A09M0502](#) [84914-0235](#) [84914-0237](#) [885030A09M010](#)
[885030A09M020](#) [8R4006A18M010](#) [8R4J30E03C3003](#) [1200650503](#) [1200651713](#) [1200660844](#) [1200660845](#) [1200661173](#) [1200680071](#)
[1200720053](#) [1200720081](#) [1200720094](#) [1200720099](#) [1200720217](#) [1200800231](#) [1200860125](#) [1200870123](#) [1200650298](#) [1200660183](#)
[1200660782](#) [1200660849](#) [1200661295](#) [1200661297](#) [1200661343](#) [1200670080](#) [1200680331](#) [1200720252](#) [1200720255](#) [1200720597](#)
[1200730184](#) [1200860344](#) [1200870359](#) [1200870643](#)