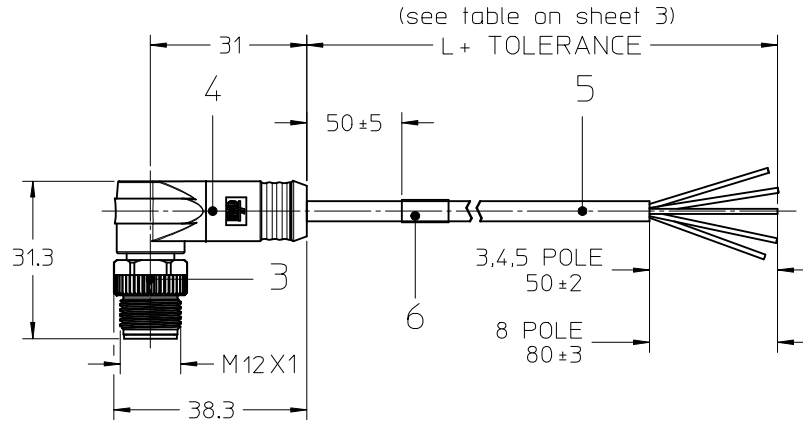
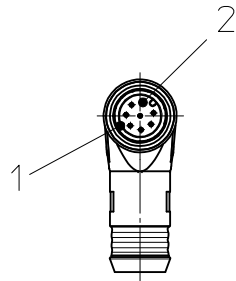


RIGHTANGLE PLUG MALE



NOTES:

TEMPERATURE RANGE	SEE TABLE ON PAGE 2
CONTACT CURRENT RATING	3-5 POLES 4A 8 POLES 2A
VOLTAGE RATING	3-4 POLES 250V 5 POLES 60V 8 POLES 30V
PROTECTION CLASS	IP 67

TOLERANCES:	
≤ 1m	+40 mm
1m - 5m	+60 mm
5m - 10m	+80 mm
> 10m	+140 mm
> 20m	+160 mm
> 30m	+1%

Mating face view:

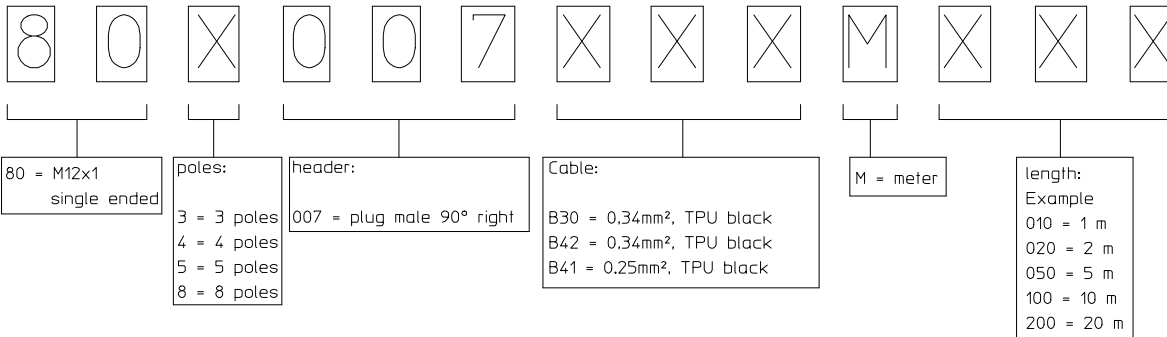
3 WIRE		4 WIRE		5 WIRE		5 WIRE		8 WIRE	
B30		B30		B30		B42		B41	
PIN #	WIRE	PIN #	WIRE	PIN #	WIRE	PIN #	WIRE	PIN #	WIRE
1	BROWN	1	BROWN	1	BROWN	1	BROWN	1	WHITE
2	-	2	WHITE	2	WHITE	2	WHITE	2	BROWN
3	BLUE	3	BLUE	3	BLUE	3	BLUE	3	GREEN
4	BLACK	4	BLACK	4	BLACK	4	BLACK	4	YELLOW
5	-	5	-	5	GREY	5	GREEN/ YELLOW	5	GREY
								6	PINK
								7	BLUE
								8	RED

CODING REQUIRED TO IEC 61076-2-101

ITEM	DESCRIPTION	MATERIAL	FINISH
6	LABEL	---	---
5	CABLE	SEE TABLE (SHEET 2)	---
4	OVERMOULDING	TPU	BLACK
3	COUPLING NUT MALE SW13	BRASS	Ni PLATED
2	PIN CONTACT	BRASS	GOLD PLATED
1	INSERT	PA	BLACK

ENTER DESCRIPTION EC NO: IPG2015-0861 DRWN:FSCHAFHAUSER 2014/11/06 CHKD:RSILLER 2014/11/07 APPR:CBURGER 2014/11/14	QUALITY SYMBOLS =0 =0	GENERAL TOLERANCES (UNLESS SPECIFIED) <table border="1"> <thead> <tr> <th></th> <th>mm</th> <th>INCH</th> </tr> </thead> <tbody> <tr> <td>4 PLACES</td> <td>± ---</td> <td>± ---</td> </tr> <tr> <td>3 PLACES</td> <td>± ---</td> <td>± ---</td> </tr> <tr> <td>2 PLACES</td> <td>± 0.05</td> <td>± ---</td> </tr> <tr> <td>1 PLACE</td> <td>± 0.30</td> <td>± ---</td> </tr> <tr> <td>0 PLACE</td> <td>± 0.50</td> <td>± ---</td> </tr> </tbody> </table>		mm	INCH	4 PLACES	± ---	± ---	3 PLACES	± ---	± ---	2 PLACES	± 0.05	± ---	1 PLACE	± 0.30	± ---	0 PLACE	± 0.50	± ---	DIMENSION STYLE MM ONLY DRAWN BY: FSCHAFHAUSER DATE: 2014/02/03 CHECKED BY: PMERUNKA DATE: 2014/03/06 APPROVED BY: CBURGER DATE: 2014/05/07	SCALE 1:1 DESIGN UNITS METRIC THIRD ANGLE PROJECTION	TITLE CSE M12 XP AC MA RA XM SE UNSH
		mm	INCH																				
	4 PLACES	± ---	± ---																				
	3 PLACES	± ---	± ---																				
2 PLACES	± 0.05	± ---																					
1 PLACE	± 0.30	± ---																					
0 PLACE	± 0.50	± ---																					
MATERIAL NO. SEE TABLE	DOCUMENT NO. SD-120065-075	SHEET NO. 1 OF 3																					
DRAFT WHERE APPLICABLE MUST REMAIN WITHIN DIMENSIONS			THIS DRAWING CONTAINS INFORMATION THAT IS PROPRIETARY TO MOLEX INCORPORATED AND SHOULD NOT BE USED WITHOUT WRITTEN PERMISSION																				
SIZE A3																							

NUMERICAL CODE (Available parts see table page 3 ff others on request.)




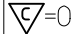
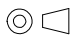
CABLE TYPE	WIRE GAUGE	CABLE JACKET	UL	CSA	static	flexing	drag chain tested	other
B30 3P, 4P, 5P	0.34mm²	TPU black	STYLE 21215	yes	-40°C to +90°C 5xD	-25°C to +80°C 7.5xD	5 mio cycles	WELD SLAG RESISTANCE
B42 5P								
B41 8P	0.25mm²	TPU black	STYLE 21215	yes	-40°C to +90°C 5xD	-25°C to +80°C 7.5xD	5 mio cycles	WELD SLAG RESISTANCE

For cable specification see on drawing SD-120209-001 and SD-120209-006

ENTER DESCRIPTION EC NO: IPG2015-0861 DRWN:FSCHAFHAUSER 2014/11/06 CHKD:RSILLER 2014/11/07 APPR:CBURGER 2014/11/14	DESCRIPTION REV 4	QUALITY SYMBOLS	GENERAL TOLERANCES (UNLESS SPECIFIED)	DIMENSION STYLE MM ONLY	SCALE 1:1	DESIGN UNITS METRIC	THIRD ANGLE PROJECTION	
		▽=0 ∇=0	mm INCH	DRAWN BY DATE	TITLE	CSE M12 XP AC MA RA XM SE UNSH 		
		4 PLACES ± --- ± ---	3 PLACES ± --- ± ---	FSCHAFHAUSER 2014/02/03				
		2 PLACES ± 0.05 ± ---	1 PLACE ± 0.30 ± ---	PMERUNKA 2014/03/06				
0 PLACE ± 0.50 ± ---	ANGULAR ± 1 °	CBURGER 2014/05/07						
		DRAFT WHERE APPLICABLE MUST REMAIN WITHIN DIMENSIONS	SEE TABLE	MATERIAL NO.	DOCUMENT NO.	SHEET NO.		
				SIZE A3	THIS DRAWING CONTAINS INFORMATION THAT IS PROPRIETARY TO MOLEX INCORPORATED AND SHOULD NOT BE USED WITHOUT WRITTEN PERMISSION			

PART LIST

PART NUMBER	NUMERICAL CODE	CABLE LENGTH "L" IN M
1200652283	803007B30M010	1M
1200652284	803007B30M020	2M
1200652285	803007B30M050	5M
1200652286	803007B30M100	10M
1200652287	804007B30M010	1M
1200652288	804007B30M020	2M
1200652289	804007B30M050	5M
1200652290	804007B30M100	10M
1200659530	805007B30M010	1M
1200659531	805007B30M020	2M
1200659532	805007B30M050	5M
1200659533	805007B30M100	10M
1200652291	805007B42M010	1M
1200652292	805007B42M020	2M
1200652293	805007B42M050	5M
1200652294	805007B42M100	10M
1200659545	805007B42M200	20M
1200652314	808007B41M010	1M
1200652315	808007B41M020	2M
1200652316	808007B41M050	5M
1200652317	808007B41M100	10M

ENTER DESCRIPTION EC NO: IPG2015-0861 DRWN:FSCHAFHAUSER 2014/11/06 CHKD:RSILLER 2014/11/07 APPR:CBURGER 2014/11/14	DESCRIPTION REV 4	QUALITY SYMBOLS  =0  =0	GENERAL TOLERANCES (UNLESS SPECIFIED)		DIMENSION STYLE MM ONLY		SCALE 1:1	DESIGN UNITS METRIC	 THIRD ANGLE PROJECTION		
				DRAWN BY FSCHAFHAUSER	DATE 2014/02/03	TITLE CSE M12 XP AC MA RA XM SE UNSH					
				CHECKED BY PMERUNKA	DATE 2014/03/06						
				APPROVED BY CBURGER	DATE 2014/05/07	MATERIAL NO. SEE TABLE DOCUMENT NO. SD-120065-075 SHEET NO. 3 OF 3					
		ANGULAR ± 1 °									
		DRAFT WHERE APPLICABLE MUST REMAIN WITHIN DIMENSIONS		THIS DRAWING CONTAINS INFORMATION THAT IS PROPRIETARY TO MOLEX INCORPORATED AND SHOULD NOT BE USED WITHOUT WRITTEN PERMISSION							

X-ON Electronics

Largest Supplier of Electrical and Electronic Components

Click to view similar products for [Specialised Cables category](#):

Click to view products by [Molex manufacturer](#):

Other Similar products are found below :

[GP-IE515546DS-002](#) [96CB-L2020PIB2](#) [1200740161](#) [R7ACAB003S](#) [R88ACAKA0015SRE](#) [R88ACAWL005SDE](#) [R88ACRGB010C](#)
[R88ACRGD0R3C](#) [R88ACRGD0R3CBS](#) [R88ACRKA020CRE](#) [1300660201](#) [1971465-2](#) [22733-8](#) [2R7004A20F060](#) [SSL009PC2DC012N](#)
[FC2A-KC6C](#) [CCSFCBF2](#) [R7ACAB005S](#) [R88ACAGD003SRE](#) [R88ACAGE005BRE](#) [R88ACAKE003SRE](#) [R88ACAKE005SRE](#)
[R88ACAKE010SRE](#) [R88ACRKM010SRE](#) [R88AFIK222RE](#) [XS2WM12PUR4SA10M](#) [XS2WM12PVC4SA10M](#) [05AU05](#) [UCABLE](#)
[10114734-2010LF](#) [R88ACRKC015NRE](#) [XW2Z010H3](#) [XW2Z010H1](#) [5-1589827-8](#) [5-1589827-4](#) [861084-1](#) [XW2Z200JB24](#) [5-1589956-8](#)
[CR4000A76M020](#) [1201140211](#) [1300140039](#) [CR4000A76M005](#) [CR4006A76M005](#) [10077488-N0550FDLF](#) [XW2ZRY150C](#)
[I4JPBJLUXX100](#) [I4JPBJLUXX50](#) [CM06](#) [CM06W](#) [CM08](#)