

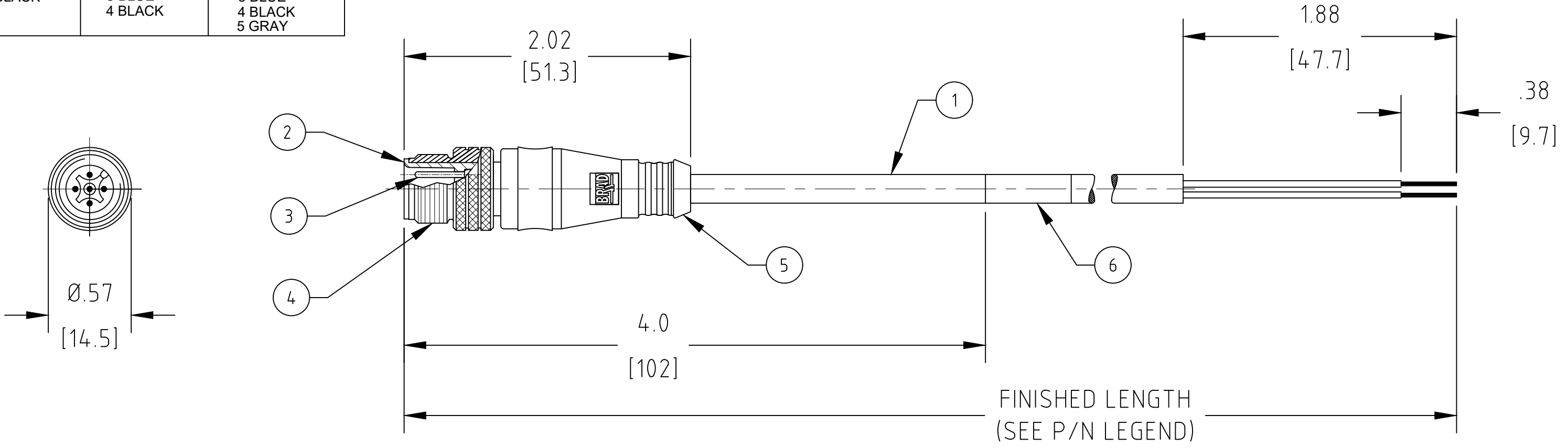
MATERIAL NUMBER	ENG. PART NO.	FINISHED LENGTH	POLES
1200650200	803006A09M020	6 FT 7 IN [2.0M]	3
1200650418	804006A09M040	13 FT 1 IN [4.0M]	4
1200650522	805006A09M010	3 FT 3 IN [1.0M]	5
1200650533	805006A09M100	32 FT 10 IN [10.0M]	5
1200659220	805006A09M300	98 FT 5 IN [30.0M]	5

PART NO. LEGEND
803006A09M020

↓ cable length
M005 = 0.5 Meters
M020 = 2 Meters
M100 = 10 Meters

(B) CABLE LENGTH TOLERANCES

>.3M [1FT]:	+19mm-0 [+ .75in-0]
.3 - .9M [1 - 3FT]:	+44.5mm-0 [+1.75in-0]
.9 - 1.8M [3 - 6FT]:	+55.6mm-0 [+2.19in-0]
1.8 - 3.7M [6 - 12FT]:	+88.9mm-0 [+3.50in-0]
3.7 - 7.3M [12 - 24FT]:	+165.1mm-0 [+6.50in-0]
7.3-14.6M [24 - 48FT]:	+317.5mm-0 [+12.50in-0]
14.6 - 30.5M [48-100FT]:	+622.3mm-0 [+24.50in-0]
OVER 30M [100FT]:	+2% OF FINISHED LENGTH



- (B) NOTES:**
1. MATERIAL: AS NOTED
 2. FINISH: AS NOTED
 3. ELECTRICAL:
VOLTAGE: 250V
CURRENT: 4A
 4. TEMP RATING: -25°C TO +105°C
 5. PROTECTION: IP67 (WHEN MATED)
 6. COUPLING THREAD: M12 X 1.0
 7. UL RECOGNIZED FILE: E152210
CSA CERTIFIED FILE: LR 6837
 8. ALL DIMS ARE FOR REFERENCE UNLESS TOLERANCED OR NOTED OTHERWISE

ITEM	DESCRIPTION	MATERIAL	FINISH
6	WRAP LABEL	VINYL	BLACK/YELLOW
5	OVERMOLD	PUR	YELLOW
4	COUPLING NUT	BRASS	NICKEL PLATED
3	CONTACT PIN	COPPER ALLOY	GOLD PLATED
2	INSERT, MALE, 5P	PUR	BLACK
1	CABLE, 22AWG	PVC JACKET	YELLOW

FUNCTIONAL SYMBOLS 	THIS DRAWING CONTAINS INFORMATION THAT IS PROPRIETARY TO MOLEX ELECTRONIC TECHNOLOGIES, LLC AND SHOULD NOT BE USED WITHOUT WRITTEN PERMISSION			
	DIMENSION UNITS	SCALE		
	INCH/MM	1:1	EC NO: 637684	
	GENERAL TOLERANCES (UNLESS SPECIFIED)		DRWN: RSTONE	2020/05/14
4 PLACES	±----	CHK'D: MZIELINSKI	2020/05/15	
3 PLACES	±----	APPR: BWOODMAN	2020/05/18	PRODUCT CUSTOMER DRAWING
2 PLACES	±0.13	INITIAL REVISION:		
1 PLACE	±0.25	DRWN: LSTEMMLE		DOCUMENT NUMBER
0 PLACES	±----	APPR: NSTAUDIG		SD-120065-028
ANGULAR TOL ± 0.5°		THIRD ANGLE PROJECTION		DOC TYPE/DOC PART/REVISION
DRAFT WHERE APPLICABLE MUST REMAIN WITHIN DIMENSIONS		DRAWING		PSD 001 B
		SERIES		SHEET NUMBER
		B-SIZE 120065		1 OF 1
		MATERIAL NUMBER		CUSTOMER
		SEE P/N LEGEND		GENERAL MARKET

X-ON Electronics

Largest Supplier of Electrical and Electronic Components

Click to view similar products for [Sensor Cables / Actuator Cables](#) category:

Click to view products by [Molex](#) manufacturer:

Other Similar products are found below :

[60963](#) [60964](#) [M83513/19-F01CP](#) [703000D02F2002](#) [703001D02F0602](#) [703001D02F300](#) [704000D02F120](#) [773032K02F030](#) [802027107404-1](#)
[802027213811-1](#) [804001A09M150](#) [805001A09M0502](#) [84914-0235](#) [84914-0237](#) [885030A09M020](#) [8R4J30E03C3003](#) [1200651332](#)
[1200651713](#) [1200660844](#) [1200660845](#) [1200661173](#) [1200680071](#) [1200720053](#) [1200720081](#) [1200720099](#) [1200720217](#) [1200800231](#)
[1200860125](#) [1200870123](#) [1200980102](#) [1200650267](#) [1200650298](#) [1200660183](#) [1200660782](#) [1200660849](#) [1200661295](#) [1200661297](#)
[1200661342](#) [1200661343](#) [1200670080](#) [1200670220](#) [1200680331](#) [1200720252](#) [1200730184](#) [1200860344](#) [1200870359](#) [1200870643](#)
[1200980008](#) [1200980031](#) [1210502211](#)