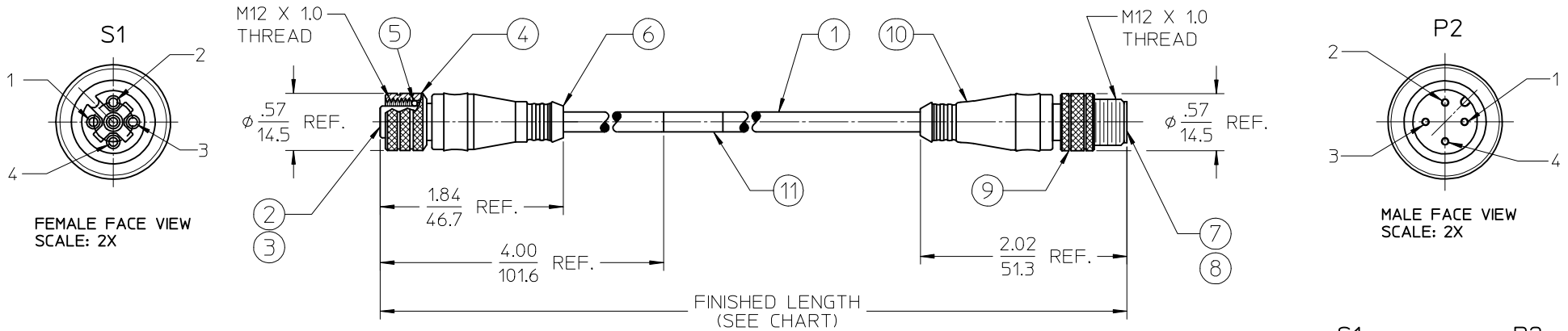


10	9	8	7
MATERIAL NO.	ENGINEERING NO.	FINISHED LENGTH	
1200661913	884030A14M010A	3' 4" +2.19-0 (1M +55.6mm-0)	
1200661914	884030A14M020A	6' 7" +3.50-0 (2M +88.9mm-0)	
1200661915	884030A14M030A	9' 10" +3.50-0 (3M +88.9mm-0)	
1200661916	884030A14M040A	13' 1" +6.50-0 (4M +165.1mm-0)	
1200661910	884030A14M050A	16' 5" +6.50-0 (5M +165.1mm-0)	
1200661917	884030A14M060A	19' 8" +6.50-0 (6M +165.1mm-0)	
1200661918	884030A14M080A	26' 3" +12.50-0 (8M +317.5mm-0)	
1200661911	884030A14M100A	32' 10" +12.50-0 (10M +317.5mm-0)	

CUSTOMER PRODUCTION APPROVAL
 APPROVED BY:-----
 DATE:-----
 MUST BE SIGNED AND RETURNED BEFORE
 PRODUCTION WILL BEGIN.

RESTRICTED SALES DRAWING



- NOTES:
 1. MATERIAL: SEE TABLE
 2. FINISHES: SEE TABLE
 3. ELECTRICAL SPECIFICATIONS
 VOLTAGE RATING: 250V AC/DC
 CURRENT RATING: 4 AMPS
 4. PROTECTION: IP67
 5. ASSEMBLY IS RoHS COMPLIANT
 BY EXEMPTION

S1	P2
1 BROWN	1
2 WHITE	2
3 BLUE	3
4 BLACK	4

WIRING DIAGRAM

ITEM	QTY.	DESCRIPTION	MATERIAL	FINISH
11	1	WRAP LABEL	VINYL	BLACK/YELLOW
10	1	OVERMOLD-MALE	PVC	GRAY
9	1	COUPLING, MALE THREAD	BRASS	NICKEL PLATED
8	4	CONTACT PIN	Cu ALLOY	GOLD PLATED
7	1	INSERT, 4P, MALE	PUR	BLACK
6	1	OVERMOLD-FEMALE	PVC	GRAY
5	1	O-RING	VITON	RED
4	1	COUPLING, FEMALE THREAD	BRASS	NICKEL PLATED
3	4	CONTACT SOCKET	Cu ALLOY	GOLD PLATED
2	1	INSERT, 4P FEMALE	PUR	BLACK
1	1	CABLE, 22-4, 300V, 105°C, PLTC	PVC JACKET	GRAY

RELEASED AS SD DOC
 WAS RSD-120066-01Z
 EC NO: IPGZ015-1245
 DRWNRSTONE 2013/02/13
 CHKDK JOZWIK 2013/02/27
 APPR: JFMURPHY 2013/06/21

QUALITY SYMBOLS
 ▼=0
 ▽=0

	GENERAL TOLERANCES (UNLESS SPECIFIED)	
	mm	INCH
4 PLACES	± .005	± .0005
3 PLACES	± .005	± .0005
2 PLACES	± .005	± .0005
1 PLACE	± 0.3	± .012
0 PLACE	± .005	± .0005

ANGULAR ± 2 °

DRAFT WHERE APPLICABLE MUST REMAIN WITHIN DIMENSIONS

DIMENSION STYLE	
IN/MM	
DRAWN BY	DATE
RSTONE	2013/02/13
CHECKED BY	DATE
K JOZWIK	2013/02/27
APPROVED BY	DATE
JFMURPHY	2013/06/21

SCALE	DESIGN UNITS	THIRD ANGLE PROJECTION
2:1	INCH	☉
TITLE		
MIC EXT CORD, M/F 4 POLE, 22/4 PLTC		
molex		
MATERIAL NO.	DOCUMENT NO.	SHEET NO.
SEE CHART	SD-120066-051	1 OF 1

THIS DRAWING CONTAINS INFORMATION THAT IS PROPRIETARY TO MOLEX INCORPORATED AND SHOULD NOT BE USED WITHOUT WRITTEN PERMISSION

X-ON Electronics

Largest Supplier of Electrical and Electronic Components

Click to view similar products for [Sensor Cables / Actuator Cables](#) category:

Click to view products by [Molex](#) manufacturer:

Other Similar products are found below :

[60963](#) [60964](#) [M83513/19-F01CP](#) [703000D02F2002](#) [703001D02F0602](#) [703001D02F300](#) [704000D02F120](#) [773032K02F030](#) [802027107404-1](#)
[802027213811-1](#) [804001A09M150](#) [805001A09M0502](#) [84914-0235](#) [84914-0237](#) [885030A09M020](#) [8R4J30E03C3003](#) [1200651332](#)
[1200651713](#) [1200660844](#) [1200660845](#) [1200661173](#) [1200680071](#) [1200720053](#) [1200720081](#) [1200720099](#) [1200720217](#) [1200800231](#)
[1200860125](#) [1200870123](#) [1200980102](#) [1200650267](#) [1200650298](#) [1200660183](#) [1200660782](#) [1200660849](#) [1200661295](#) [1200661297](#)
[1200661342](#) [1200661343](#) [1200670080](#) [1200670220](#) [1200680331](#) [1200720252](#) [1200730184](#) [1200860344](#) [1200870359](#) [1200870643](#)
[1200980008](#) [1200980031](#) [1210502211](#)