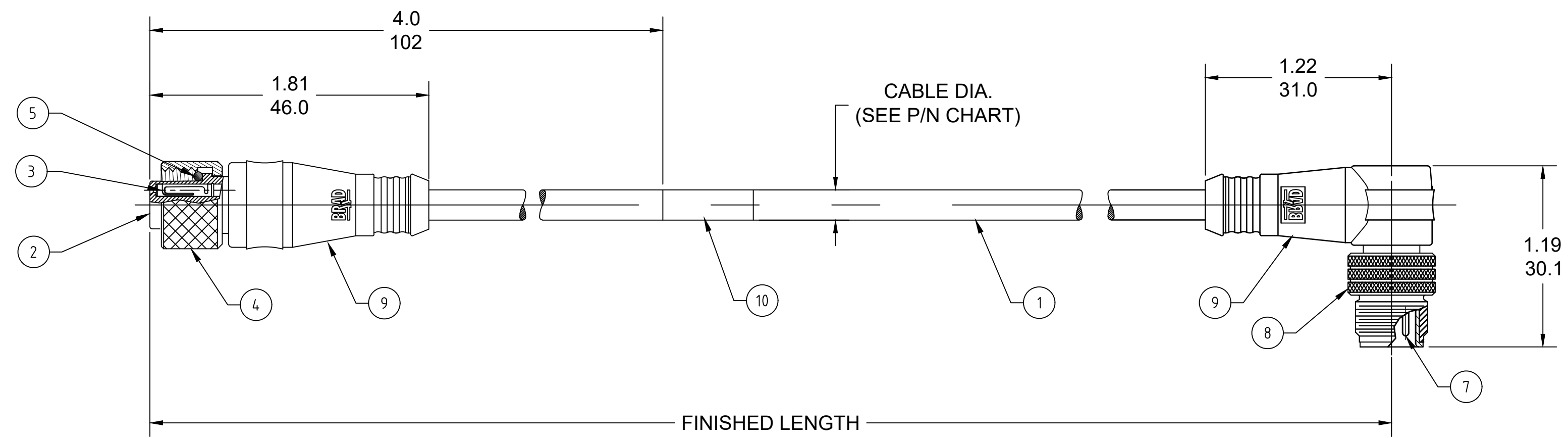
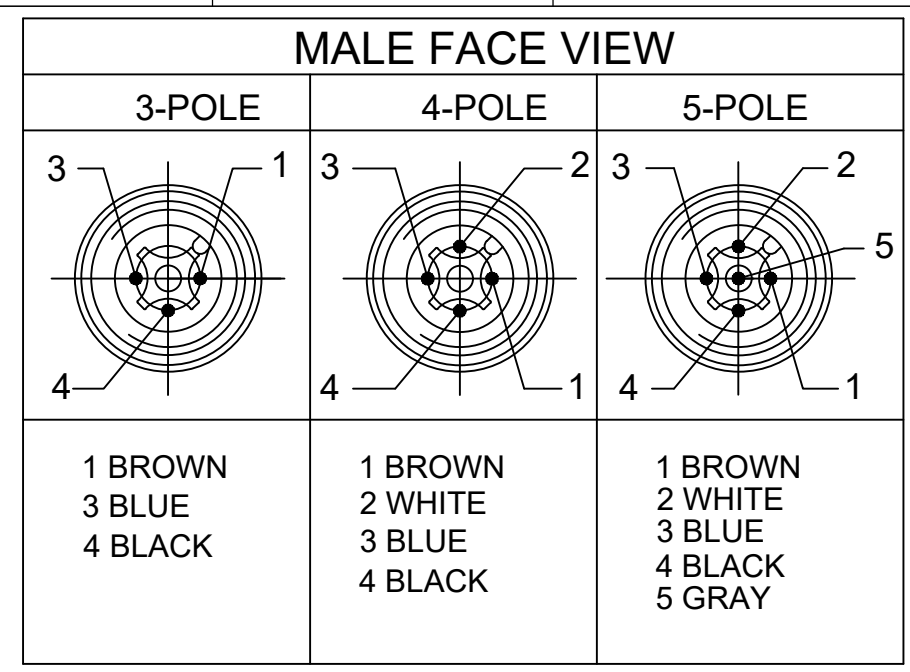


| PART NO | ENGINEERING NO. | FINISHED LENGTH | POLES | CABLE DIA. |
|------------|-----------------|-----------------|-------|------------|
| 1200660228 | 883032K05M005 | 0.5M [1FT 7 IN] | 3 | .20/5.1 |
| 1200662157 | 885032K05M100 | 10M [32FT 9 IN] | 5 | .23/5.8 |
| 1200662223 | 884032K05M200 | 20M [65FT 7 IN] | 4 | .21/5.3 |



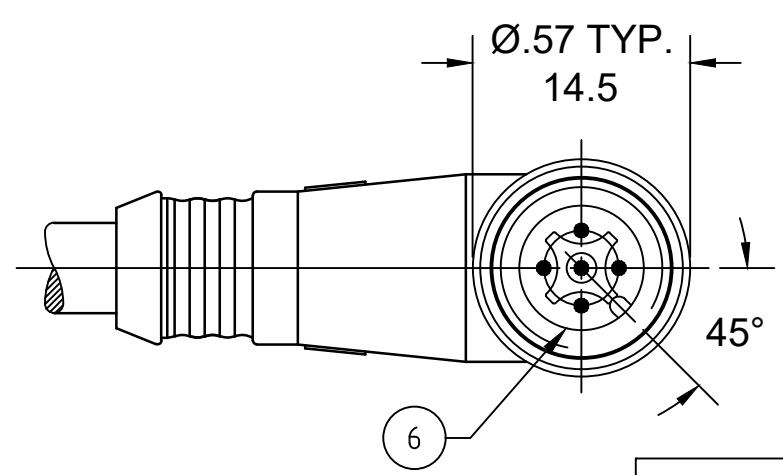
- NOTES:
1. MATERIAL: AS NOTED
 2. FINISH: AS NOTED
 3. ELECTRICAL:
VOLTAGE: 250V
CURRENT: 4A
 4. TEMP RATING: -20°TO +105°C
 5. PROTECTION: IP67 (WHEN MATED)
 6. COUPLING THREAD: M12X1
 7. UL RECOGNIZED FILE: E152210
CSA CERTIFIED FILE: LR6837
 8. ALL DIMENSIONS ARE FOR REFERENCE
UNLESS TOLERANCED OR NOTED OTHERWISE

CABLE FLEX CHARACTERISTICS:

| | |
|----------------------|------------------------------------|
| TORSIONAL FLEX TEST | 10 MILLION CYCLES PER MIL-C-13777G |
| BEND FLEX TEST | 10 MILLION CYCLES PER MIL-C-13777G |
| WELD SLAG RESISTANCE | WOODHEAD STANDARD S-300 |

PART NO. MATRIX 883032K05M020

| POLES (3,4 & 5) | FINISHED LENGTH M005 = 0.5 METER M010 = 1 METER M100 = 10 METER |
|--------------------|--|
|--------------------|--|



CABLE LENGTH TOLERANCES

| | |
|--------------------------|-------------------------|
| <.3M [1FT]: | +19mm-0 [+ .75in-0] |
| .3 - .9M [1 - 3FT]: | +44.5mm-0 [+1.75in-0] |
| .9 - 1.8M [3 - 6FT]: | +55.6mm-0 [+2.19in-0] |
| 1.8 - 3.7M [6 - 12FT]: | +88.9mm-0 [+3.50in-0] |
| 3.7 - 7.3M [12 - 24FT]: | +165.1mm-0 [+6.50in-0] |
| 7.3-14.6M [24 - 48FT]: | +317.5mm-0 [+12.50in-0] |
| 14.6 - 30.5M [48-100FT]: | +622.3mm-0 [+24.50in-0] |
| OVER 30M [100FT]: | +2% OF FINISHED LENGTH |

| ITEM | DESCRIPTION | MATERIAL | FINISH |
|------|----------------|--------------|---------------|
| 10 | WRAP LABEL | VINYL | BLACK/YELLOW |
| 9 | OVERMOLD | TPC | YELLOW |
| 8 | COUPLING NUT | BRASS | NICKEL PLATED |
| 7 | CONTACT PIN | COPPER ALLOY | GOLD PLATED |
| 6 | MALE INSERT | PUR | BLACK |
| 5 | O-RING | VITON | RED |
| 4 | COUPLING NUT | BRASS | NICKEL PLATED |
| 3 | CONTACT SOCKET | COPPER ALLOY | GOLD PLATED |
| 2 | FEMALE INSERT | PUR | BLACK |
| 1 | CABLE 22AWG | TPE JACKET | YELLOW |

THIS DRAWING CONTAINS INFORMATION THAT IS PROPRIETARY TO MOLEX ELECTRONIC TECHNOLOGIES, LLC AND SHOULD NOT BE USED WITHOUT WRITTEN PERMISSION

| | | | |
|----------------------|--|------------------------|--|
| FUNCTIONAL SYMBOLS | DIMENSION UNITS | SCALE | CURRENT REV DESC: ITEM# 9 WAS TPE. UPDATED TEMP RATING. MODIFIED MATERIAL TABLE |
| FA=0 FC=0 FP=0 | INCH/MM | NTS | EC NO: 645633 DRWN: ABENJAMINLW 2020/09/18 CHK'D: RSTONE 2020/09/29 APPR: BWOODMAN 2020/10/23 |
| | GENERAL TOLERANCES (UNLESS SPECIFIED) | | |
| DIVISIONAL SYMBOLS | mm | INCH | INITIAL REVISION: DRWN: LSTEMMLE 2010/02/01 APPR: FPACHER 2010/02/03 |
| | 4 PLACES ±---- | ±---- | |
| | 3 PLACES ±---- | ±---- | MATERIAL NUMBER: SD-120066-025 CUSTOMER: GENERAL MARKET |
| | 2 PLACES ±---- | ±---- | |
| | 1 PLACE ±---- | ±---- | SHEET NUMBER: 1 OF 1 |
| | 0 PLACES ±---- | ±---- | |
| | ANGULAR TOL ± ---- ° | | |
| | DRAFT WHERE APPLICABLE MUST REMAIN WITHIN DIMENSIONS | THIRD ANGLE PROJECTION | DRAWING: C-SIZE |
| | | SERIES: 120066 | DOCUMENT NUMBER: SD-120066-025 |

X-ON Electronics

Largest Supplier of Electrical and Electronic Components

Click to view similar products for [Sensor Cables / Actuator Cables](#) category:

Click to view products by [Molex](#) manufacturer:

Other Similar products are found below :

[60963](#) [60964](#) [703000D02F2002](#) [703001D02F0602](#) [703001D02F300](#) [704000D02F120](#) [773032K02F030](#) [802027107404-1](#) [802027213811-1](#)
[804001A09M150](#) [805001A09M0502](#) [84914-0235](#) [84914-0237](#) [885030A09M020](#) [8R4J30E03C3003](#) [1200651332](#) [1200651713](#) [1200660844](#)
[1200660845](#) [1200661173](#) [1200680071](#) [1200720053](#) [1200720081](#) [1200720099](#) [1200720217](#) [1200800231](#) [1200860125](#) [1200870123](#)
[1200980102](#) [1200650267](#) [1200650298](#) [1200660183](#) [1200660782](#) [1200660849](#) [1200661295](#) [1200661297](#) [1200661342](#) [1200661343](#)
[1200670080](#) [1200670220](#) [1200680331](#) [1200720252](#) [1200730184](#) [1200860344](#) [1200870359](#) [1200870643](#) [1200980008](#) [1200980031](#)
[1210502211](#) [1210400542](#)