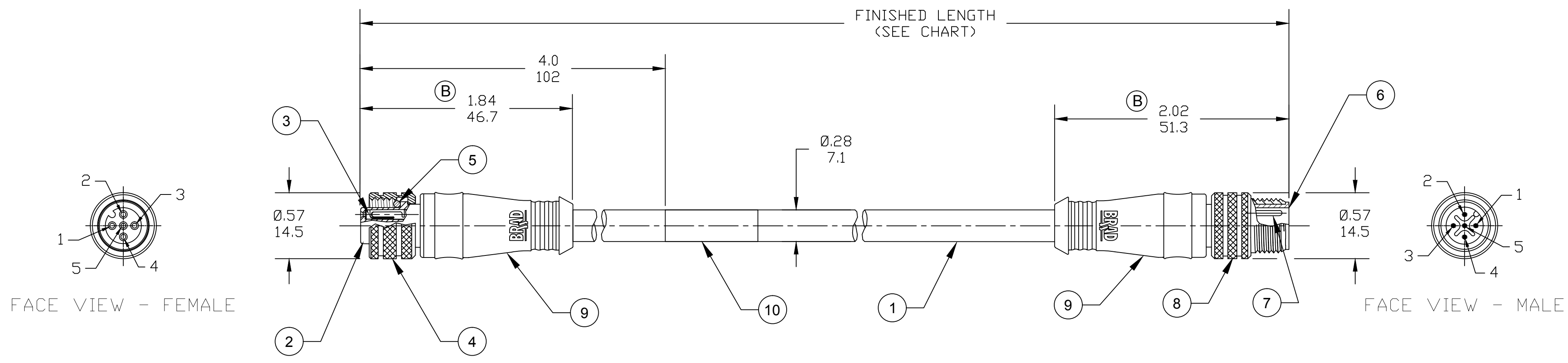


| PART NO. | ENGINEERING NO. | FINISHED LENGTH |
|------------|-----------------|-------------------|
| 1200662179 | 885030K03M005E | 0.5M (1FT 8IN) |
| 1200662180 | 885030K03M010E | 1.0M (3FT 3IN) |
| 1200662189 | 885030K03M100E | 10.0M (32FT 10IN) |

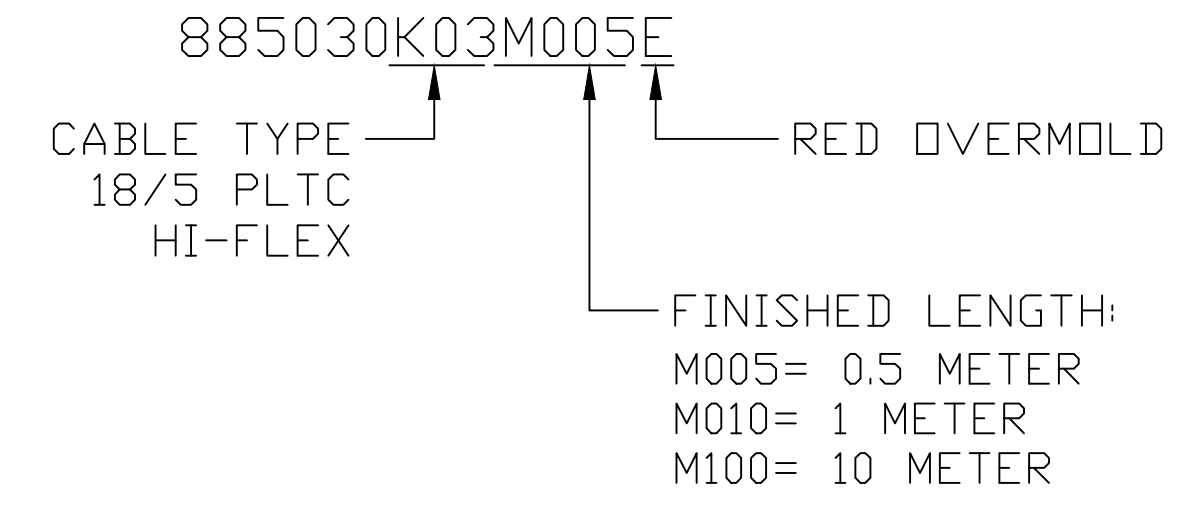
| CABLE LENGTH TOLERANCES | |
|--------------------------|-------------------------|
| >.3M [1FT]: | +19mm-0 [+ .75in-0] |
| .3 - .9M [1 - 3FT]: | +44.5mm-0 [+1.75in-0] |
| .9 - 1.8M [3 - 6FT]: | +55.6mm-0 [+2.19in-0] |
| 1.8 - 3.7M [6 - 12FT]: | +88.9mm-0 [+3.50in-0] |
| 3.7 - 7.3M [12 - 24FT]: | +165.1mm-0 [+6.50in-0] |
| 7.3-14.6M [24 - 48FT]: | +317.5mm-0 [+12.50in-0] |
| 14.6 - 30.5M [48-100FT]: | +622.3mm-0 [+24.50in-0] |
| OVER 30M [100FT]: | +2% OF FINISHED LENGTH |



- NOTES:**
1. MATERIAL: AS NOTED
 2. FINISH: AS NOTED
 3. ELECTRICAL:
VOLTAGE: 250V
CURRENT: 4A
 4. TEMP RATING: -25°TO +105°C
 5. PROTECTION: IP67 (WHEN MATED)
 6. COUPLING THREAD: M12 X 1.0
 7. ALL DIMS ARE FOR REFERENCE UNLESS TOLERANCED OR NOTED OTHERWISE

| | | |
|---|-------|---|
| 1 | BROWN | 1 |
| 2 | WHITE | 2 |
| 3 | BLUE | 3 |
| 4 | BLACK | 4 |
| 5 | GRAY | 5 |

PART NUMBER LEGEND



| ITEM | DESCRIPTION | MATERIAL | FINISH |
|------|------------------------|--------------|---------------|
| 10 | FLAG LABEL | VINYL | BLACK/YELLOW |
| 9 | OVERMOLDS | TPC | RED |
| 8 | COUPLING, MALE | BRASS | NICKEL PLATED |
| 7 | CONTACT PIN | COPPER ALLOY | GOLD PLATED |
| 6 | MALE INSERT 5P | NYLON | BLACK |
| 5 | O-RING | VITON | RED |
| 4 | COUPLING, FEMALE | BRASS | NICKEL PLATED |
| 3 | CONTACT SOCKET | COPPER ALLOY | GOLD PLATED |
| 2 | FEMALE INSERT 5P | NYLON | BLACK |
| 1 | CABLE, 18/5, PLTC, FT4 | TPE JACKET | YELLOW |

REV D O-MOLD LENGTHS

EC NO: IFC2019-0533

DRWN: RSTONE 5/30/19

CHKD: J CAPPOZ

APPR: BWOODMAN2019/04/18

QUALITY SYMBOL

▽=0

▽C=0

| GENERAL TOLERANCES (UNLESS SPECIFIED) | |
|---------------------------------------|------|
| | mm |
| 4 PLACES | ±--- |
| 3 PLACES | ±--- |
| 2 PLACES | ±--- |
| 1 PLACE | ±--- |

ANGULAR ±---°

DRAFT WHERE APPLICABLE MUST REMAIN WITHIN DIMENSIONS

| DIMENSION STYLE | |
|-----------------|------------|
| INCH/MM | |
| DRAWN BY | DATE |
| RSTONE | 2019/03/26 |
| CHECKED BY | DATE |
| M ZIELIN | ---- |
| APPROVED BY | DATE |
| BWOODMAN | 2019/04/18 |
| MATERIAL NO. | |
| SEE P/N TABLE | |
| SIZE | C |

SCALE: ---

DESIGN UNITS: INCH

THIRD ANGLE PROJECTION

TITLE: MICRO-CHANGE EXT CORD 5P MA/FE STR A/C 18AWG WITH RED OVERMOLD

MOLEX INCORPORATED

DOCUMENT NO: SD-120066-065

SHEET NO: 1 OF 1

THIS DRAWING CONTAINS INFORMATION THAT IS PROPRIETARY TO MOLEX INCORPORATED AND SHOULD NOT BE USED WITHOUT WRITTEN PERMISSION

MECHANICAL CHARACTERISTICS:

| | |
|----------------------|------------------------------------|
| TORSIONAL FLEX TEST | 10 MILLION CYCLES PER MIL-C-13777G |
| BEND FLEX TEST | 10 MILLION CYCLES PER MIL-C-13777G |
| WELD SLAG RESISTANCE | WOODHEAD STANDARD S-300 |

X-ON Electronics

Largest Supplier of Electrical and Electronic Components

Click to view similar products for [Sensor Cables / Actuator Cables](#) category:

Click to view products by [Molex](#) manufacturer:

Other Similar products are found below :

[60963](#) [60964](#) [703000D02F2002](#) [703001D02F0602](#) [703001D02F300](#) [704000D02F120](#) [773032K02F030](#) [802027107404-1](#) [802027213811-1](#)
[804001A09M150](#) [805001A09M0502](#) [84914-0235](#) [84914-0237](#) [885030A09M020](#) [8R4J30E03C3003](#) [1200651332](#) [1200651713](#) [1200660844](#)
[1200660845](#) [1200661173](#) [1200680071](#) [1200720053](#) [1200720081](#) [1200720099](#) [1200720217](#) [1200800231](#) [1200860125](#) [1200870123](#)
[1200980102](#) [1200650267](#) [1200650298](#) [1200660183](#) [1200660782](#) [1200660849](#) [1200661295](#) [1200661297](#) [1200661342](#) [1200661343](#)
[1200670080](#) [1200670220](#) [1200680331](#) [1200720252](#) [1200730184](#) [1200860344](#) [1200870359](#) [1200870643](#) [1200980008](#) [1200980031](#)
[1210502211](#) [1210400542](#)