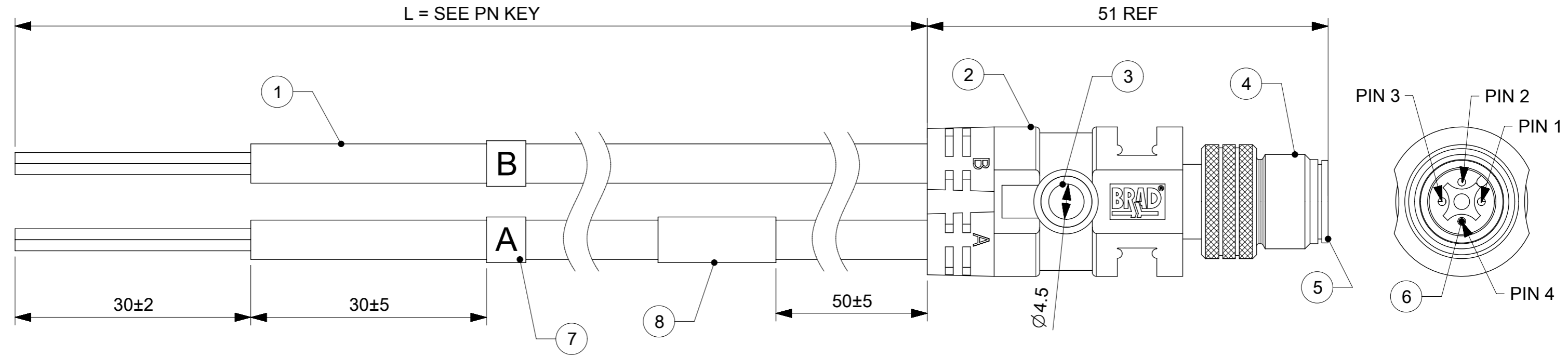
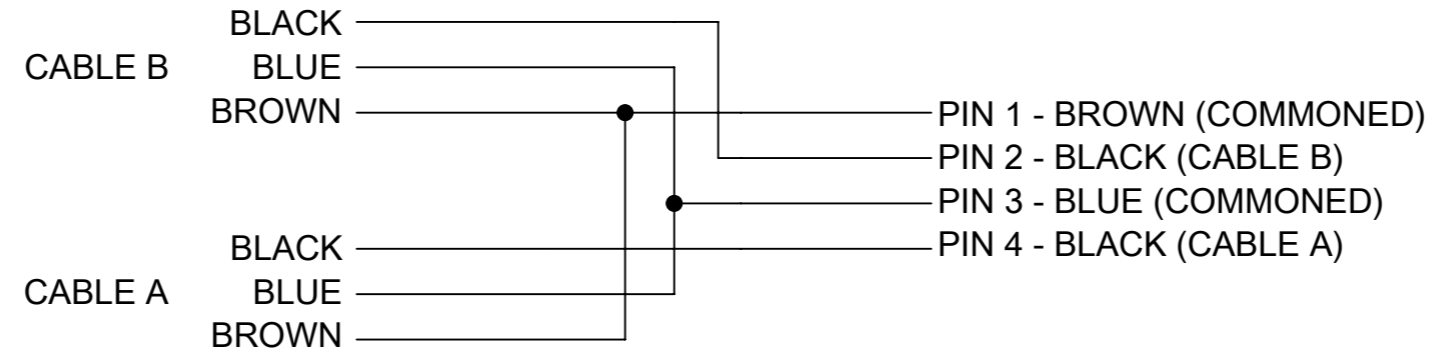


REVISION A1	ADDED OPTIONS TO THE MATRIX
REVISION A2	UPDATED ENG No FOR PN 1200688224

WIRING DIAGRAM



8	1	LABEL YELLOW
7	2	IDENTIFICATION LABEL
6	4	CONTACT MALE
5	1	INSERT 4P MALE M12 BLACK
4	1	COUPLING NUT MALE M12
3	1	CENTRE SPACER ILS (COLOR SEE MATRIX)
2	-	OVERMOULD PVC (COLOR SEE MATRIX)
1	-	CABLE (SEE SHEET 2)
ITEM	QTY.	DESCRIPTION

THIS DRAWING CONTAINS INFORMATION THAT IS PROPRIETARY TO MOLEX ELECTRONIC TECHNOLOGIES, LLC AND SHOULD NOT BE USED WITHOUT WRITTEN PERMISSION											
QUALITY SYMBOLS FA = 0 FE = 0 FP = 0 FV = 0 FC = 0 FX = 0 FS = 0 FT = 0	EC NO: 115931 DRWN: AKONDRACIUK CHK'D: APPR: MIWASIECZKO	2017/04/19 2017/04/20	GENERAL TOLERANCES (UNLESS SPECIFIED)		DIMENSION UNITS	SCALE	 MMC-4P-MM-IN/SPLITTER-XM PRODUCT CUSTOMER DRAWING				
			ANGULAR TOL ± °		MM	2:1					
			4 PLACES ±	3 PLACES ±	APAWLAK01	DATE 2016/03/15					
			2 PLACES ±	1 PLACE ±	CHK'D BY	DATE					
DRAFT WHERE APPLICABLE MUST REMAIN WITHIN DIMENSIONS		0 PLACES ±	APPR BY	DATE	MIWASIECZKO	2016/03/18	SERIES: 120068 MATERIAL NUMBER: SEE SHEET 2 CUSTOMER: GENERAL MARKET				
		DRAWING SIZE: A3		THIRD ANGLE PROJECTION		DOCUMENT NUMBER: 1200688223		DOC TYPE: PSD	DOC PART: 000	SHEET NUMBER: 1 OF 2	

ENGINEERING NO. - NUMERICAL CODE (Available parts see PART LIST table. If others on request).

OPTIONS

REVISION A1

ADDED OPTIONS TO THE MATRIX

804 A06 XXXM XXXX A1

80=M12
Single Ended

Poles:
4=4 Poles

Heads style:
A06=ILS Male to free ends

Cable type: See Table

Units:
M=Meter

Length
Examples:
005=0.5 units
010=1 units
100=10 units

Color overmould:
Blank (Standard)= Yellow
G=Black

PART LIST

POS.	MOLEX PN	ENGINEERING NO.	L [mm]
1	1200090084	804A06E03M050	5000
2	1200685013	804A06I03M050	5000
3	1200685026	804A06I03M030	3000
4	1200688001	804A06I03M120	12000
5	1200688011	804A06P03M010	1000
6	1200688159	804A06E03M020	2000
7	1200688223	804A06P03M100G	10000
8	1200688224	804A06P03M050G	5000


A2

CABLE INFORMATION (for more information see Cable Data Sheet).

CABLE TYPE	NO. OF WIRES	CROSS SECTION	CABLE JACKET	UL	CSA	STATIC: TEMP. / BENDING RADIUS	DYNAMIC: TEMP. / BENDING RADIUS	DRAG CHAIN	SHIELD
E02	3 / 4 / 5 / 8	0.25mm ²	PVC BLACK	UL 2464/1729	C22.2 I/II A/B 80°/300V	-30°C to +80°C, 10xO.D.	-10°C to +80°C, 15xO.D.	-	-
E03	3 / 4 / 5	0.34mm ²	PVC BLACK	UL 2464/1729	C22.2 I/II A/B 80°/300V	-30°C to +80°C, 10xO.D.	-10°C to +80°C, 15xO.D.	-	-
H08	3 / 4 / 5 / 8	0.25mm ²	PUR BLACK LS0H	UL 21198/10493	C22.2 I/II A/B 80°/300V	-40°C to +80°C, 5xO.D.	-25°C to +80°C, 10xO.D.	2 000 000 cycles, Temp max 60°C	-
H09	3 / 4 / 5	0.34mm ²	PUR BLACK LS0H	UL 21198/10493	C22.2 I/II A/B 80°/300V	-40°C to +80°C, 5xO.D.	-25°C to +80°C, 10xO.D.	2 000 000 cycles, Temp max 60°C	-
P02	3 / 4 / 5 / 8	0.25mm ²	PUR / PVC BLACK	-	-	-30°C to +80°C, 7xO.D.	-5°C to +80°C, 15xO.D.	-	-
P03	3 / 4 / 5	0.34mm ²	PUR / PVC BLACK	-	-	-30°C to +80°C, 7xO.D.	-5°C to +80°C, 15xO.D.	-	-
I02	3 / 4 / 8	0.25mm ²	PVC CEI GREY	-	-	-30°C to +70°C	-5°C to +70°C	-	-
I03	3 / 4 / 5	0.34mm ²	PVC CEI GREY	-	-	-30°C to +70°C	-5°C to +70°C	-	-

CABLE LENGTH TOLERANCES

OVER	UP TO AND INCLUDING	TOLERANCES
0	305mm	+19mm
305mm	915mm	+45mm
915mm	1830mm	+56mm
1830mm	3660mm	+89mm
3660mm	7320mm	+165mm
7320mm	14640mm	+317mm
14640mm	30500mm	+610mm
30500mm	>	+2% of finished length

<p>QUALITY SYMBOLS</p> <p>FA = 0</p> <p>FE = 0</p> <p>FB = 0</p> <p>FV = 0</p> <p>FC = 0</p> <p>FX = 0</p> <p>FS = 0</p> <p>FV = 0</p>	THIS DRAWING CONTAINS INFORMATION THAT IS PROPRIETARY TO MOLEX ELECTRONIC TECHNOLOGIES, LLC AND SHOULD NOT BE USED WITHOUT WRITTEN PERMISSION										
	<p>EC NO: 115931</p> <p>DRWN: AKONDRACIUK</p> <p>CHK'D: MIWASIECZKO</p> <p>REV APPR: MIWASIECZKO</p>	<p>2017/04/19</p> <p>2017/04/20</p>	GENERAL TOLERANCES (UNLESS SPECIFIED)		DIMENSION UNITS	SCALE	 <p>MMC-4P-MM-IN/SPLITTER-XM</p>				
			ANGULAR TOL ± °		MM	1:1					
			4 PLACES ±	APAWLAK01		DATE					2016/03/15
			3 PLACES ±	CHK'D BY		DATE					
			2 PLACES ±	APPR BY		DATE					
	1 PLACE ±	MIWASIECZKO		DATE	2016/03/18	PRODUCT CUSTOMER DRAWING					
	0 PLACES ±	DRAFT WHERE APPLICABLE MUST REMAIN WITHIN DIMENSIONS		DRAWING SIZE	THIRD ANGLE PROJECTION	SERIES	MATERIAL NUMBER	CUSTOMER			
	A3		A3		120068	SEE PART LIST	GENERAL MARKET				
					DOCUMENT NUMBER	DOC TYPE	DOC PART	SHEET NUMBER			
				1200688223	PSD	000	2 OF 2				

X-ON Electronics

Largest Supplier of Electrical and Electronic Components

Click to view similar products for [Sensor Cables / Actuator Cables](#) category:

Click to view products by [Molex](#) manufacturer:

Other Similar products are found below :

[1300070444](#) [43-10984](#) [M83513/19-F01CP](#) [704000D02F120](#) [MDM15SH001K](#) [MDM25PH003BF222](#) [802027107404-1](#) [885030A09M010](#)
[885030A09M020](#) [1200650174](#) [1200651332](#) [1200651713](#) [1200660171](#) [1200660208](#) [1200660343](#) [1200660804](#) [1200660845](#) [1200660926](#)
[1200660977](#) [1200661173](#) [1200661354](#) [120066-1712](#) [1200720053](#) [1200720099](#) [1200720153](#) [1200720172](#) [1200720217](#) [1200720226](#)
[1200720251](#) [1200720285](#) [1200720296](#) [1200720404](#) [1200730148](#) [1200730378](#) [1200800231](#) [1200860112](#) [1200860121](#) [1200860125](#)
[1200860337](#) [1200860365](#) [1200860420](#) [1200870046](#) [1200870248](#) [1200980102](#) [1200660181](#) [1200660183](#) [1200660827](#) [1200660849](#)
[1200661170](#) [1200661295](#)