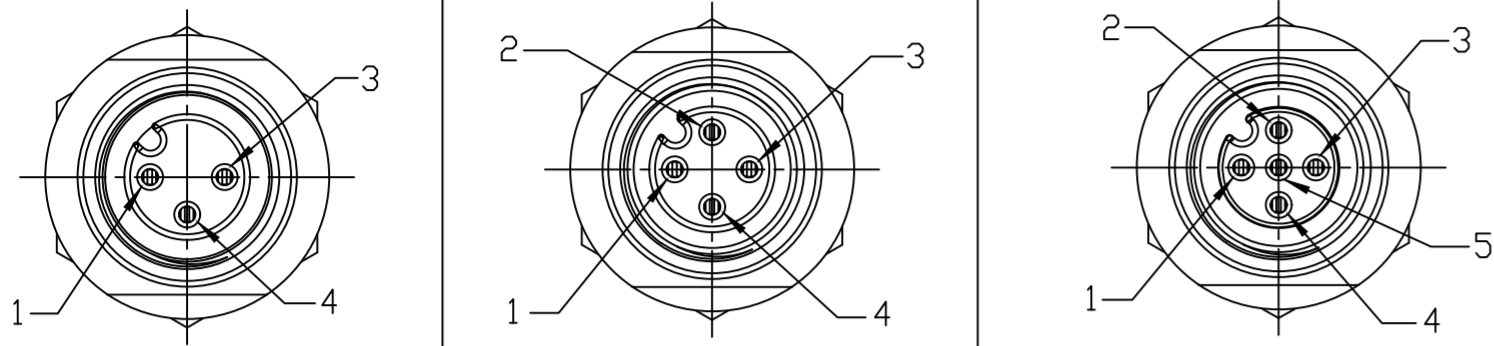


FACE VIEW - FEMALE INSERT



1 BROWN
3 BLUE
4 BLACK

1 BROWN
2 WHITE
3 BLUE
4 BLACK

1 BROWN
2 WHITE
3 BLUE
4 BLACK
5 GRAY

PART NUMBER LEGEND

8R3A00A18A1201

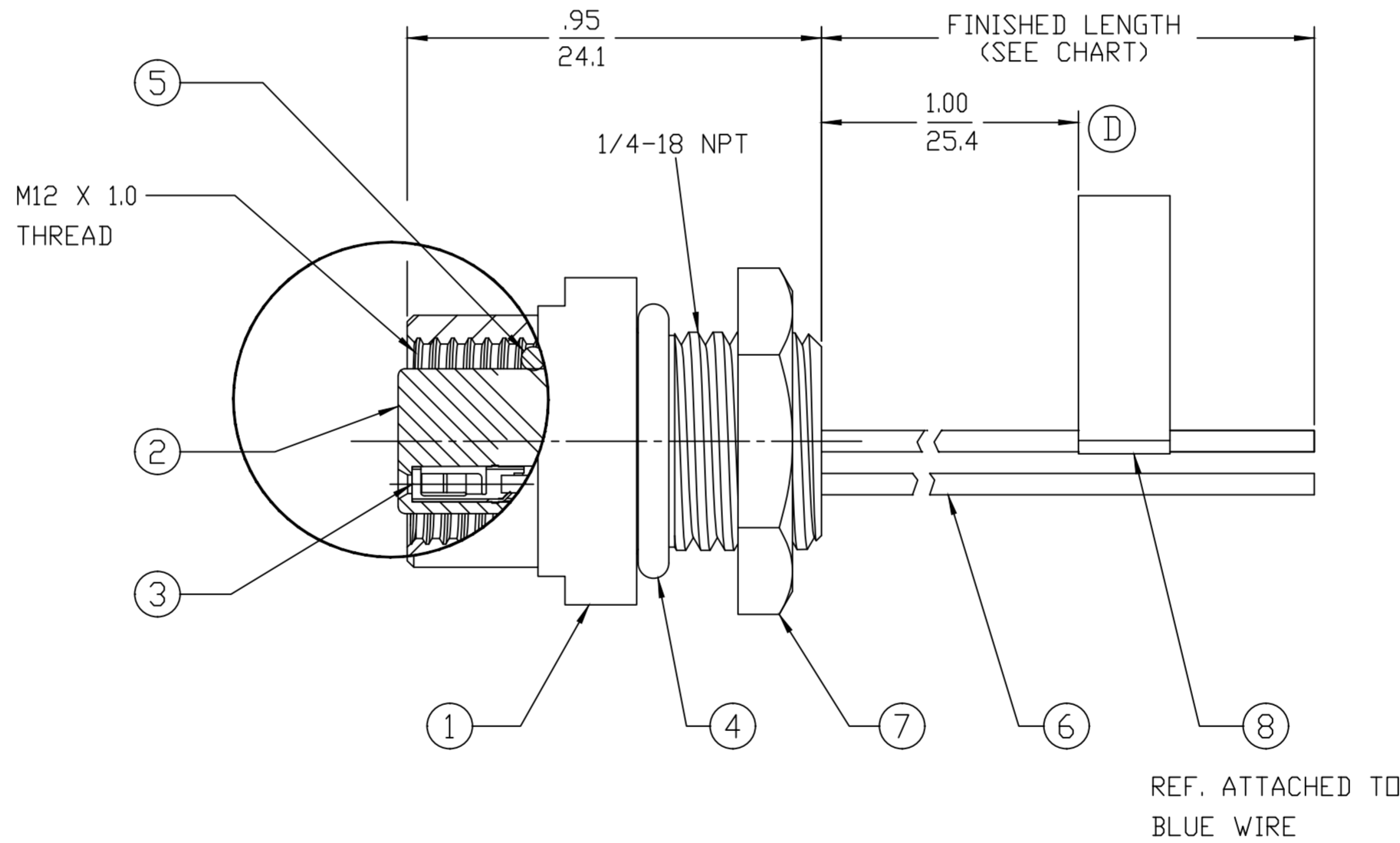
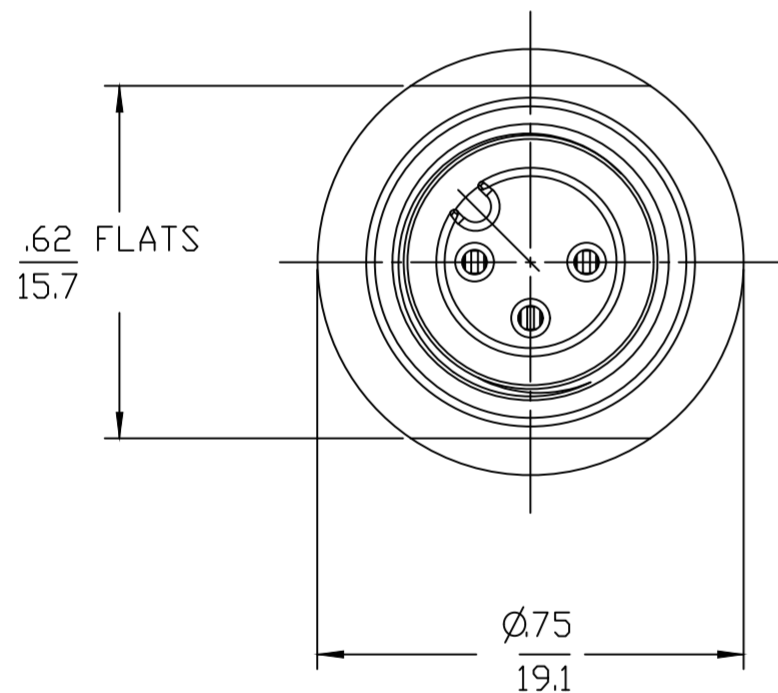
FINISHED LENGTH:
A120= 12 INCHES
M005= 0.5 METER
M010= 1 METER
M100= 10 METER

SHELL MATERIAL/FINISH
BLANK= ALUMINUM/BLACK ANODIZED
1 = 303 ST. STEEL
3 = BRASS/NICKEL PLATE
8 = 316 ST. STEEL

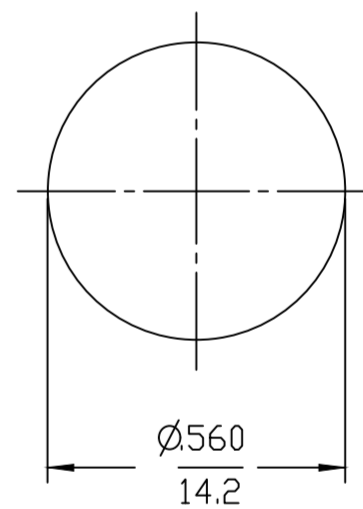
| PART NUMBER | POLES | DESCRIPTION | FINISHED LENGTH |
|-------------|-------|---------------|----------------------------------|
| 1200700056 | 3 | 8R3A00A18A120 | 12.0" +.75" -0 [0.3M +19.1MM -0] |
| 1200700114 | 4 | 8R4A00A18A120 | 12.0" +.75" -0 [0.3M +19.1MM -0] |
| 1200700201 | 5 | 8R5A00A18A120 | 12.0" +.75" -0 [0.3M +19.1MM -0] |
| 1200700119 | 4 | 8R4A00A18M010 | 3.28' +2.19" -0 [1M +55.6MM -0] |

NOTES:

- MATERIAL: SEE TABLE
- FINISHES: SEE TABLE
- ELECTRICAL SPECIFICATIONS
VOLTAGE RATING: 250V
CURRENT RATING: 4 AMPS
- PROTECTION: IP67 (WHEN MATED)
- DIMS SHOWN ARE FOR REFERENCE ONLY



REF. KNOCK-OUT HOLE



REF. ATTACHED TO
BLUE WIRE

FINAL ASSEMBLY
1200700056 (SHOWN)

| 8 | FLAG LABEL | VINYL | BLACK/YELLOW |
|------|-----------------|----------------|----------------|
| 7 | PANEL NUT | STEEL | ZINC PLATED |
| 6 | WIRE, 22-1 | PVC INSULATED | SEE FACE VIEWS |
| 5 | O-RING (MATING) | VITON | RED |
| 4 | O-RING (PANEL) | NITRILE | BLACK |
| 3 | CONTACT SOCKET | Cu ALLOY | GOLD PLATED |
| 2 | INSERT, FEMALE | NYLON | BLACK |
| 1 | SHELL | SEE P/N LEGEND | SEE P/N LEGEND |
| ITEM | DESCRIPTION | MATERIAL | FINISH |

CABLE LENGTH TOLERANCES

| |
|--|
| <.3M [1FT]: +19mm-0 [+1.75in-0] |
| .3 - .9M [1 - 3FT]: +44.5mm-0 [+1.75in-0] |
| .9 - 1.8M [3 - 6FT]: +55.6mm-0 [+2.19in-0] |
| 1.8 - 3.7M [6 - 12FT]: +88.9mm-0 [+3.50in-0] |
| 3.7 - 7.3M [12 - 24FT]: +165.1mm-0 [+6.50in-0] |
| 7.3-14.6M [24 - 48FT]: +317.5mm-0 [+12.50in-0] |
| 14.6 - 30.5M [48-100FT]: +622.3mm-0 [+24.50in-0] |
| OVER 30M [100FT] +2% OF FINISHED LENGTH |

| FUNCTIONAL SYMBOLS | | | | | | | | | |
|---|--|--|--|---------------------|--|-------------------------------|--|--|--|
| THIS DRAWING CONTAINS INFORMATION THAT IS PROPRIETARY TO MOLEX ELECTRONIC TECHNOLOGIES, LLC AND SHOULD NOT BE USED WITHOUT WRITTEN PERMISSION | | CURRENT REV DESC: ADD NEW PN, UPDATE LENGTH PER MANUFACTURING DOC, ADD TOL BLOCK | | EC NO: 690994 | | DRWN: CCHRSTKA | | 2022/01/05 | |
| DIMENSION UNITS | | SCALE | | CHK'D: RSTONE | | APPR: BWOODMAN | | 2022/01/07 | |
| INCH/MM | | NTS | | INITIAL REVISION: | | DRWN: NKUMAR01 | | 2009/08/27 | |
| GENERAL TOLERANCES (UNLESS SPECIFIED) | | mm | | INCH | | APPR: JFMURPHY | | 2009/08/28 | |
| 4 PLACES ±---- | | ±---- | | 1 PLACE ±---- | | ANGULAR TOL ± ---- ° | | DRAFT WHERE APPLICABLE MUST REMAIN WITHIN DIMENSIONS | |
| 3 PLACES ±---- | | ±---- | | 0 PLACES ±---- | | THIRD ANGLE PROJECTION | | DRAWING C-SIZE | |
| 2 PLACES ±---- | | ±---- | | SERIES 120070 | | MATERIAL NUMBER SEE TABLE | | CUSTOMER GENERAL MARKET | |
| 1 PLACE ±---- | | ±---- | | SHEET NUMBER 1 OF 1 | | DOCUMENT NUMBER SD-120070-056 | | DOC TYPE/DOC PART/REVISION PSD 001 D | |

X-ON Electronics

Largest Supplier of Electrical and Electronic Components

Click to view similar products for [Circular Metric Connectors](#) category:

Click to view products by [Molex](#) manufacturer:

Other Similar products are found below :

[600X518037X](#) [6STD15PCR99B70A](#) [8R4000A16M020](#) [8R5000A16M005](#) [1200910002](#) [1203580030](#) [1200910008](#) [1200910011](#) [1300140094](#)
[130203-0054](#) [1300140026](#) [1300150099](#) [RF-12S1N8A90DU](#) [1-3637-600-5205](#) [1612618](#) [21036836414](#) [8R4006A16M010](#) [1R3006A20M005](#)
[RF-12P1N8A90DU](#) [41-40011](#) [42-00006](#) [42-01015](#) [4-22279-4](#) [4-22281-1](#) [4-22284-9](#) [43-00113](#) [43-01088](#) [43-01203](#) [41-40013](#) [42-00008](#) [43-](#)
[00343](#) [43-01026](#) [43-01162](#) [43-01173](#) [43-10000](#) [XS3P-M421-2](#) [600X518050X](#) [SACC-DSI-FS-5P-PG9-L180 SC](#) [8R5006A16M020](#)
[8R5006A16M005](#) [8R4000A16M010](#) [6-22279-3](#) [1605332](#) [N03FA03144](#) [1300140077](#) [43-16213](#) [43-01338](#) [XS2RD4265](#) [XS2R-D426-1](#)
[XS8A-0441](#)