

### WIRING DIAGRAM

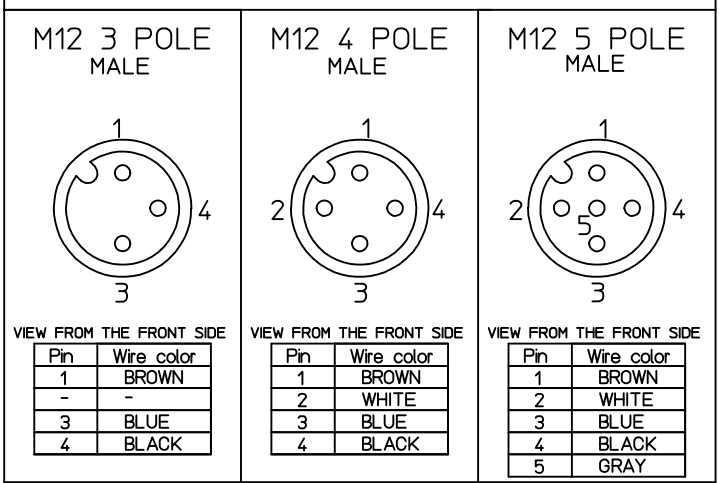
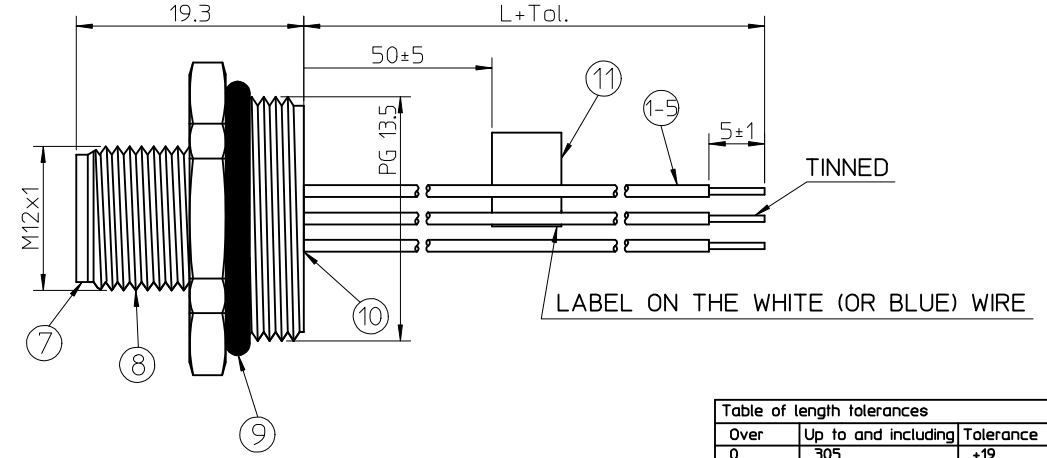
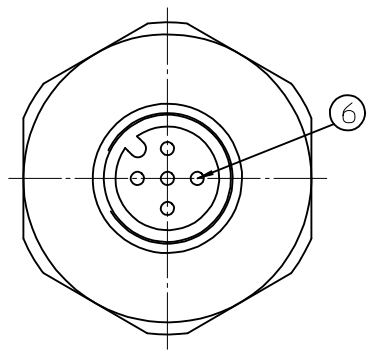
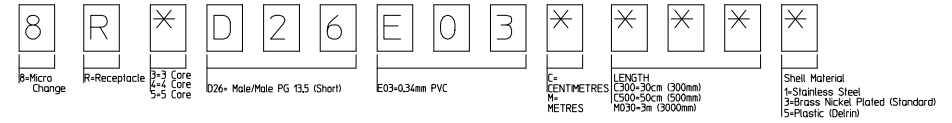


TABELA 1 / CHART 1

Molex PN	ENGINEERING PN	L [mm]	POLE
1200708007	8R4D26E03C1503	150	4 POLE
1200700144	8R4D26E03C3003	300	4 POLE
1200708067	8R4D26E03C5003	500	4 POLE
1200110031	8R5D26E03C3003	300	5 POLE

### PART No MATRIX



### BILL OF MATERIALS:

ITEM	QTY.	DESCRIPTION	MATERIAL	FINISH
11	1	LABEL	-	-
10	-	POTTING MATERIAL	WEVO	-
9	1	O-RING	NBR 70	-
8	1	M12x1 PG13.5 SHELL	BRASS	NICKEL PLATED
7	1	MIC 3P/4P/5P DC INSERT	NYLON 6/6	-
6	3/4/5	MALE CONTACT	BRASS	-
5	-	WIRE 22 AWG UL 1569	PVC	GRAY
4	-	WIRE 22 AWG UL 1569	PVC	BLACK
3	-	WIRE 22 AWG UL 1569	PVC	BLUE
2	-	WIRE 22 AWG UL 1569	PVC	WHITE
1	-	WIRE 22 AWG UL 1569	PVC	BROWN

Over	Up to and including	Tolerance (+)
0	305	+19
305	915	+45
915	1830	+56
1830	3660	+89
3660	7320	+165
7320	14640	+317
14640	30500	+610
30500	>	+2% of length

ORIGINAL RELEASE EC NO: IPG2016-0703 DRW:KKALICIAK 2015/11/19 CHKD:APAWLAK 2015/11/23 APPR:MIWASIECZKO 2015/12/15	DESCRIPTION A	QUALITY SYMBOLS ▽=0 ◻=0	GENERAL TOLERANCES (UNLESS SPECIFIED) mm INCH 4 PLACES ± --- ± --- 3 PLACES ± --- ± --- 2 PLACES ± 0.05 ± --- 1 PLACE ± 0.3 ± --- 0 PLACE ± 0.5 ± --- ANGULAR ± 1 °	DIMENSION STYLE MM ONLY DRAWN BY: KKALICIAK DATE: 2015/11/19 CHECKED BY: APAWLAK DATE: 2015/11/23 APPROVED BY: MIWASIECZKO DATE: 2015/12/15 MATERIAL NO. SEE CHART 1	SCALE: --- DESIGN UNITS: METRIC THIRD ANGLE PROJECTION
		DRAFT WHERE APPLICABLE MUST REMAIN WITHIN DIMENSIONS			TITLE: MMC-XP-MM-REC-PG13.5-XXM-PVC DOCUMENT NO. SD-120070-059 SHEET NO. 1 OF 1
		THIS DRAWING CONTAINS INFORMATION THAT IS PROPRIETARY TO MOLEX INCORPORATED AND SHOULD NOT BE USED WITHOUT WRITTEN PERMISSION			molex
		SIZE: A3			SEE CHART 1

## X-ON Electronics

Largest Supplier of Electrical and Electronic Components

*Click to view similar products for [Circular Metric Connectors](#) category:*

*Click to view products by [Molex](#) manufacturer:*

Other Similar products are found below :

[600X518037X](#) [6STD15PCR99B70A](#) [8R4000A16M020](#) [8R5000A16M005](#) [1200910002](#) [1203580030](#) [1200910008](#) [1200910011](#) [1300140094](#)  
[130203-0054](#) [1300140026](#) [1300150099](#) [RF-12S1N8A90DU](#) [1-3637-600-5205](#) [1612618](#) [21036836414](#) [8R4006A16M010](#) [1604232](#)  
[1R3006A20M005](#) [RF-12P1N8A90DU](#) [41-40011](#) [42-00006](#) [42-01015](#) [4-22279-4](#) [4-22281-1](#) [4-22284-9](#) [43-00113](#) [43-01088](#) [43-01203](#) [41-](#)  
[40013](#) [42-00008](#) [43-00343](#) [43-01026](#) [43-01162](#) [43-01173](#) [43-10000](#) [XS3P-M421-2](#) [600X518050X](#) [SACC-DSI-FS-5P-PG9-L180 SC](#)  
[8R5006A16M020](#) [8R5006A16M005](#) [8R4000A16M010](#) [6-22279-3](#) [1605332](#) [N03FA03144](#) [1300140077](#) [43-16213](#) [43-01338](#) [XS2RD4265](#)  
[XS2R-D426-1](#)