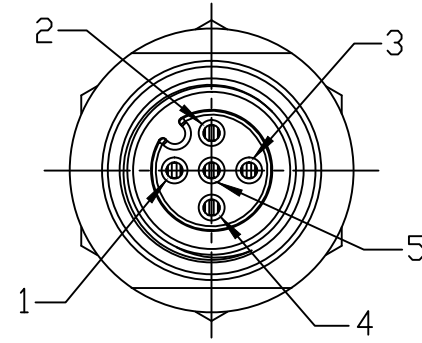
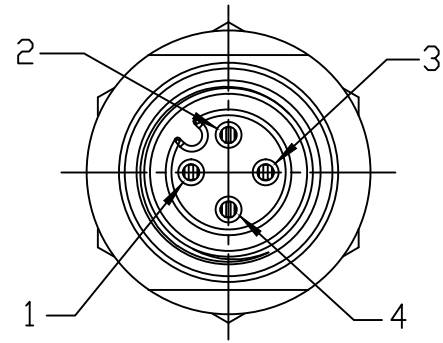
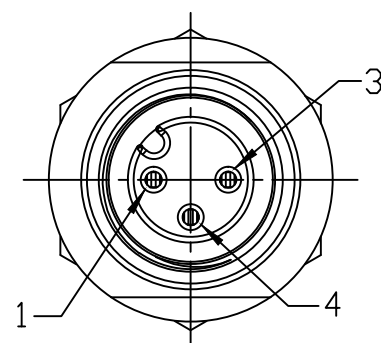


FACE VIEW - FEMALE INSERT SCALE 2 : 1



1 BROWN
3 BLUE
4 BLACK

1 BROWN
2 WHITE
3 BLUE
4 BLACK

1 BROWN
2 WHITE
3 BLUE
4 BLACK
5 GRAY

PART NUMBER	POLES	DESCRIPTION	FINISHED LENGTH
1200700056	3	8R3A00A18A120	12.0" +.75" -0 [0.3M +19.1MM -0]
1200700114	4	8R4A00A18A120	12.0" +.75" -0 [0.3M +19.1MM -0]
1200700201	5	8R5A00A18A120	12.0" +.75" -0 [0.3M +19.1MM -0]

PART NUMBER LEGEND

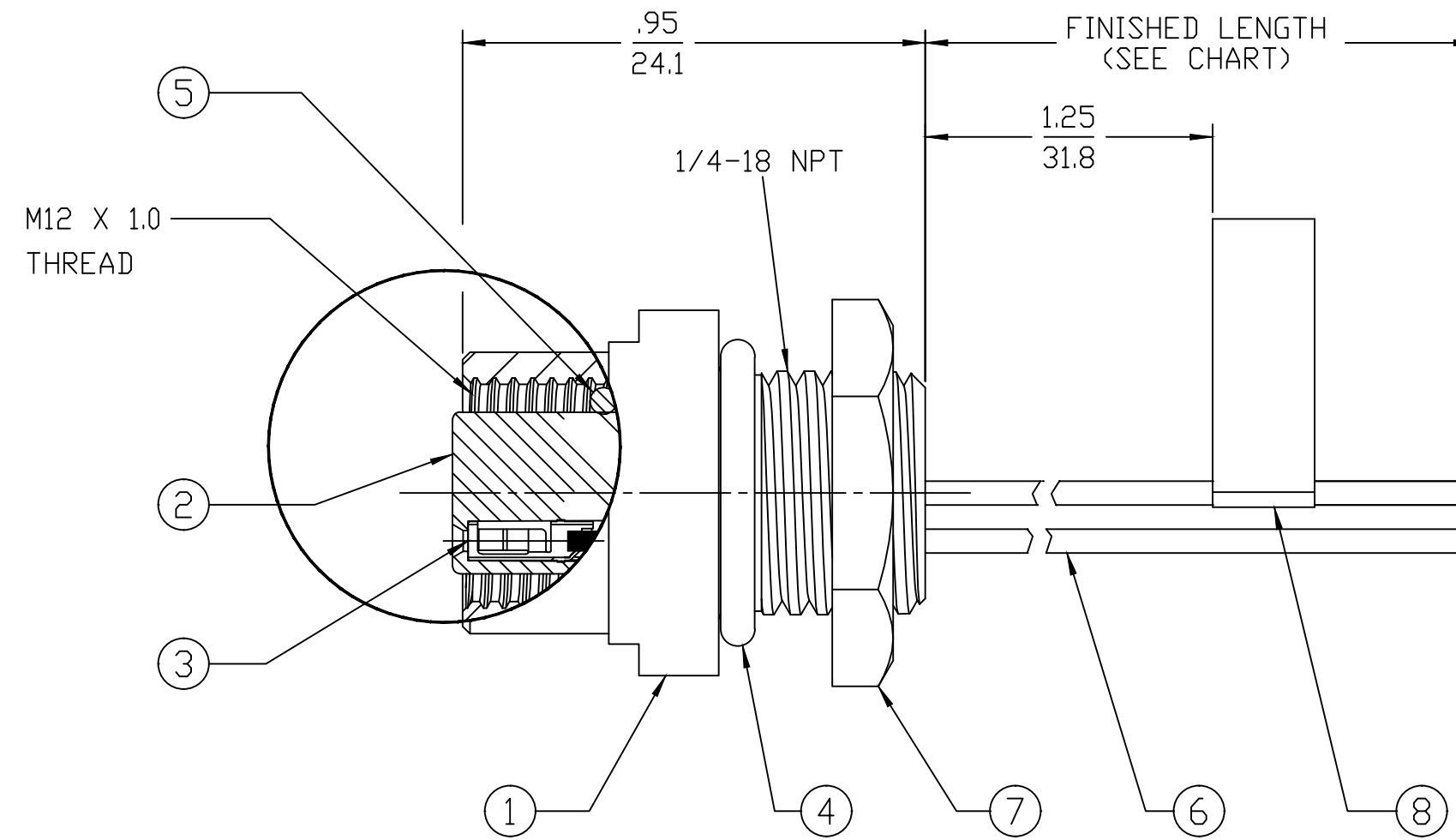
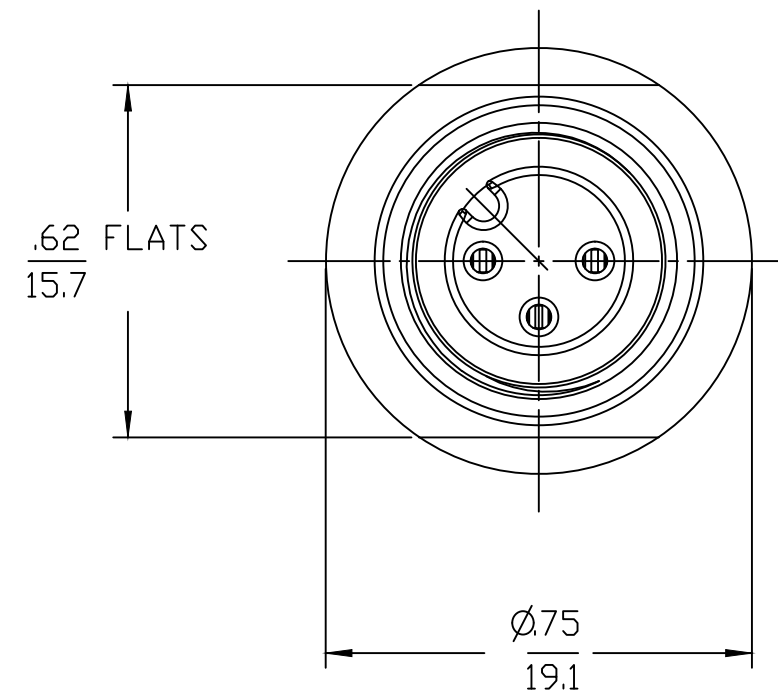
8R3A00A18A1201

FINISHED LENGTH:
A120= 12 INCHES
M005= 0.5 METER
M010= 1 METER
M100= 10 METER

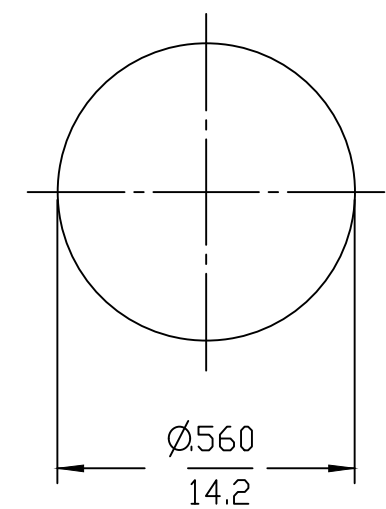
SHELL MATERIAL/FINISH
BLANK= ALUMINUM/BLACK ANODIZED
1 = 303 ST. STEEL
3 = BRASS/NICKEL PLATE
8 = 316 ST. STEEL

NOTES:

1. MATERIAL: SEE TABLE
2. FINISHES: SEE TABLE
3. ELECTRICAL SPECIFICATIONS
VOLTAGE RATING: 250V
CURRENT RATING: 4 AMPS
4. PROTECTION: IP67 (WHEN MATED)
5. DIMS SHOWN ARE FOR REFERENCE ONLY



REF. KNOCK-OUT HOLE



REF. ATTACHED TO
BLUE WIRE

FINAL ASSEMBLY
1200700056 (SHOWN)

8	FLAG LABEL	VINYL	BLACK/YELLOW
7	PANEL NUT	STEEL	ZINC PLATED
6	WIRE, 22-1	PVC INSULATED	SEE FACE VIEWS
5	O-RING (MATING)	VITON	RED
4	O-RING (PANEL)	NITRILE	BLACK
3	CONTACT SOCKET	Cu ALLOY	GOLD PLATED
2	INSERT, FEMALE	NYLON	BLACK
1	SHELL	SEE P/N LEGEND	SEE P/N LEGEND
ITEM	DESCRIPTION	MATERIAL	FINISH

ADD P/N LEGEND	QUALITY SYMBOL	GENERAL TOLERANCES (UNLESS SPECIFIED)		DIMENSION STYLE		SCALE	DESIGN UNITS	THIRD ANGLE PROJECTION
		mm	INCH	IN/MM	IN/MM			
EC NO: IPG2019-0351 DRWN: RSTONE 2019/01/22 CHKD: J CAPOZZ 2019/01/28 APPR: BWOODMAN2019/01/29	▽=0	4 PLACES	±---	±---	DRAWN BY	DATE	TITLE MICRO-CHANGE RECEPTACLE M12 FEMALE, 22 AWG 1/4 NPT FRONT PANEL MNT	SHEET NO. 1 OF 1
	▽C=0	3 PLACES	±---	±---	CHECKED BY	DATE		
		2 PLACES	±---	±---	APPROVED BY	DATE		
		1 PLACE	±---	±---	MATERIAL NO.	DATE		
		ANGULAR ±---		BWOODMAN 2019/01/29		DOCUMENT NO.	MOLEX INCORPORATED	
		DRAFT WHERE APPLICABLE MUST REMAIN WITHIN DIMENSIONS		SEE P/N CHART		SD-120070-056		
		THIS DRAWING CONTAINS INFORMATION THAT IS PROPRIETARY TO MOLEX INCORPORATED AND SHOULD NOT BE USED WITHOUT WRITTEN PERMISSION						

X-ON Electronics

Largest Supplier of Electrical and Electronic Components

Click to view similar products for [Circular Metric Connectors](#) category:

Click to view products by [Molex](#) manufacturer:

Other Similar products are found below :

[1424048](#) [1021212](#) [600X518037X](#) [6STD09SAM99B70X](#) [6STD15PCR99B70A](#) [8R4000A16M020](#) [1200910002](#) [1201150041](#) [1203580030](#)
[1200700064](#) [1200700263](#) [1200700416](#) [1200730102](#) [1200770002](#) [1-2823588-2](#) [130203-0054](#) [1300140026](#) [1300150099](#) [1-3637-600-5205](#)
[1545399](#) [1594331](#) [1600413](#) [1612606](#) [1612618](#) [1614660](#) [1A4000-348](#) [CA06EW24-10P-B-03](#) [21036836414](#) [2823064-1](#) [1610759](#) [A1642LK-](#)
[II-T](#) [1R3006A20M005](#) [41-01016](#) [41-40011](#) [41-40017](#) [42-00006](#) [42-01015](#) [4-22279-4](#) [4-22281-1](#) [4-22284-9](#) [43-00002](#) [43-00113](#) [43-00130](#)
[43-01028](#) [43-01034](#) [43-01088](#) [43-01090](#) [43-01203](#) [43-01209](#) [43-01335](#)