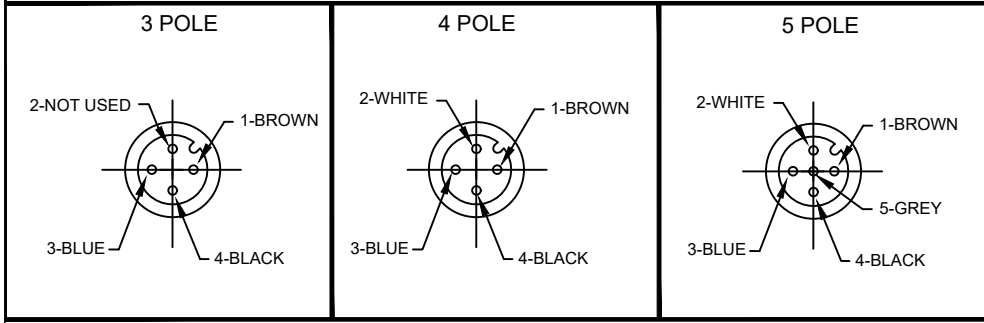
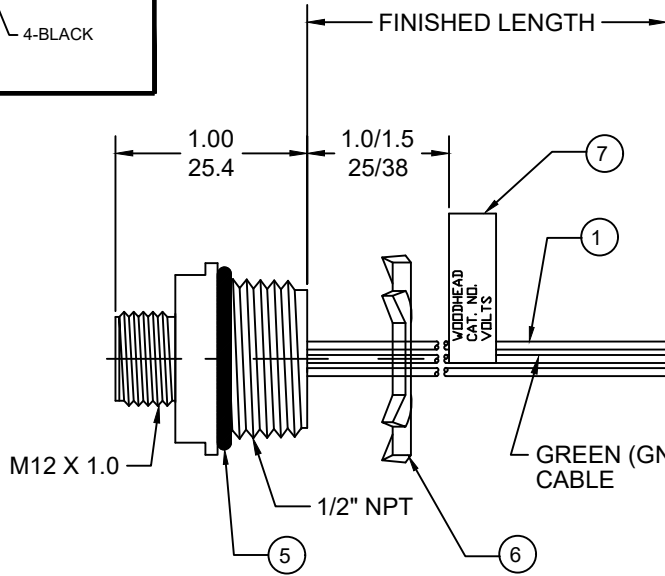
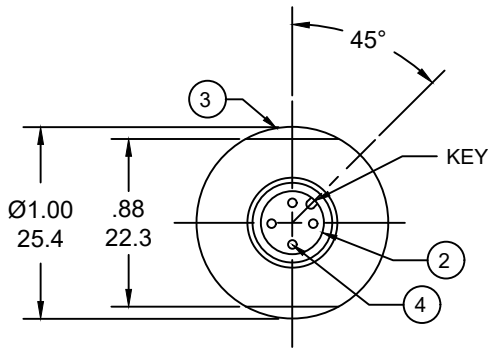


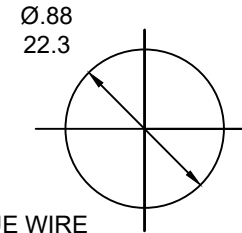
FRONT VIEW - MALE INSERT CONFIGURATION CHART



SAP P/N #	ENGINEERING P/N	FINISHED LENGTH
1200700088	8R3006A16A120	12 IN [ 1FT ]
1200700501	8R5006A16M030	3M [ 9FT 10 IN ]
1200700546	8R4006A16M100	10M [ 32FT 10 IN ]



KNOCKOUT HOLE



NOTES:

- MATERIAL: AS NOTED
- FINISH: AS NOTED
- ELECTRICAL:  
VOLTAGE: 3, 4 & 5P 250V  
CURRENT: 4A
- TEMP RATING: -20°C TO +105°C
- PROTECTION: IP67 (WHEN MATED)
- UL LISTED FILE: E152210  
CSA CERTIFIED FILE: LR6837
- ALL DIMENSIONS ARE FOR REFERENCE UNLESS TOLERANCED OR NOTED OTHERWISE

PART NO. MATRIX

8R5006A16M030

POLES (3, 4, 5)

LENGTH:  
A120= 12 INCHES  
M005= 0.5 METER  
M010= 1 METER  
M100= 10 METER

PRE-RELEASE REFERENCE USE ONLY

CABLE LENGTH TOLERANCES

>.3M [1FT]:	+19mm-0 [+1.75in-0]
.3 - .9M [1 - 3FT]:	+44.5mm-0 [+1.75in-0]
.9 - 1.8M [3 - 6FT]:	+55.6mm-0 [+2.19in-0]
1.8 - 3.7M [6 - 12FT]:	+88.9mm-0 [+3.50in-0]
3.7 - 7.3M [12 - 24FT]:	+165.1mm-0 [+6.50in-0]
7.3-14.6M [24 - 48FT]:	+317.5mm-0 [+12.50in-0]
14.6 - 30.5M [48-100FT]:	+622.3mm-0 [+24.50in-0]
OVER 30M [100FT]	+2% OF FINISHED LENGTH

ITEM	COMPONENT	MATERIAL	FINISH
7	LABEL	VINYL	BLACK/YELLOW
6	LOCKNUT	STEEL	ZINC PLATED
5	O-RING	NITRILE	BLACK
4	CONTACT SOCKET	COPPER ALLOY	GOLD OVER NICKEL
3	SHELL FM M12x1	ALUMINUM	BLACK ANODIZED
2	MALE INSERT	NYLON	BLACK
1	#18 WIRE UL1569	PVC	SEE FACE VIEW

THIS DRAWING CONTAINS INFORMATION THAT IS PROPRIETARY TO MOLEX ELECTRONIC TECHNOLOGIES, LLC AND SHOULD NOT BE USED WITHOUT WRITTEN PERMISSION

FUNCTIONAL SYMBOLS	DIMENSION UNITS	SCALE	CURRENT REV DESC.
$F_A=0$	INCH/MM	NTS	UPDATED TEMP RATING. ADDED TOL CHART. MODIFIED MATERIAL TABLE.
$F_C=0$	GENERAL TOLERANCES (UNLESS SPECIFIED)		EC NO: 643513
$F_E=0$			DRWN: ABENJAMINLW 2020/08/05
			CHK'D: RSTONE 2020/08/28
			APPR: ----
DIVISIONAL SYMBOLS			INITIAL REVISION:
			DRWN: RSTONE 2012/11/07
			APPR: JFMURPHY 2013/02/07
			THIRD ANGLE PROJECTION
			DRAWING: A-SIZE
			SERIES: 120070
			MATERIAL NUMBER: SEE CHART
			CUSTOMER: GENERAL MARKET
			SHEET NUMBER: 1 OF 1

DOCUMENT NUMBER: SD-120070-044

DOC TYPE: PSD

DOC PART: 001

REVISION: A3

PRODUCT CUSTOMER DRAWING

MOLEX MICRO-CHANGE RECEPTACLE, A-SIZE 3-5 POLE, MALE, STRAIGHT, SINGLE KEY, #18/3-5 AWG

DOCUMENT STATUS	RV	RELEASE DATE	2020/08/28	17:02:28
-----------------	----	--------------	------------	----------

## X-ON Electronics

Largest Supplier of Electrical and Electronic Components

*Click to view similar products for [Circular Metric Connectors](#) category:*

*Click to view products by [Molex](#) manufacturer:*

Other Similar products are found below :

[600X518037X](#) [6STD15PCR99B70A](#) [8R4000A16M020](#) [8R5000A16M005](#) [1200910002](#) [1203580030](#) [1200910008](#) [1200910011](#) [1300140094](#)  
[130203-0054](#) [1300140026](#) [1300150099](#) [RF-12S1N8A90DU](#) [1-3637-600-5205](#) [1612618](#) [21036836414](#) [8R4006A16M010](#) [1R3006A20M005](#)  
[RF-12P1N8A90DU](#) [41-40011](#) [42-00006](#) [42-01015](#) [4-22279-4](#) [4-22281-1](#) [4-22284-9](#) [43-00113](#) [43-01088](#) [43-01203](#) [41-40013](#) [42-00008](#) [43-](#)  
[00343](#) [43-01026](#) [43-01162](#) [43-01173](#) [43-10000](#) [XS3P-M421-2](#) [600X518050X](#) [SACC-DSI-FS-5P-PG9-L180 SC](#) [8R5006A16M020](#)  
[8R5006A16M005](#) [8R4000A16M010](#) [6-22279-3](#) [1605332](#) [N03FA03144](#) [1300140077](#) [43-16213](#) [43-01338](#) [XS2RD4265](#) [XS2R-D426-1](#)  
[XS8A-0441](#)