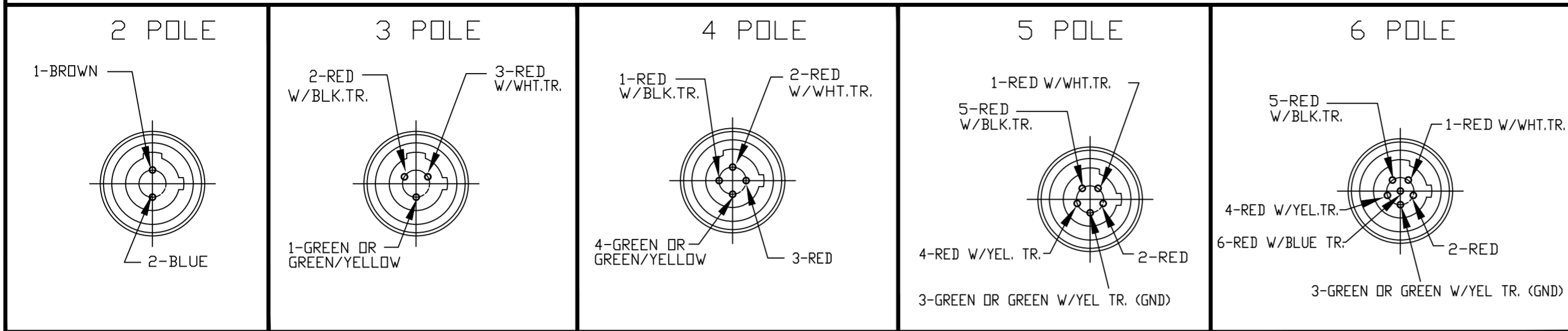


FRONT VIEW — FEMALE INSERT WIRING COLOR CODE



**CABLE LENGTH TOLERANCES**

>.3M [1FT]:	+19mm-0 [+0.75in-0]
.3 - .9M [1 - 3FT]:	+44.5mm-0 [+1.75in-0]
.9 - 1.8M [3 - 6FT]:	+55.6mm-0 [+2.19in-0]
1.8 - 3.7M [6 - 12FT]:	+88.9mm-0 [+3.50in-0]
3.7 - 7.3M [12 - 24FT]:	+165.1mm-0 [+6.50in-0]
7.3-14.6M [24 - 48FT]:	+317.5mm-0 [+12.50in-0]
14.6 - 30.5M [48-100FT]:	+622.3mm-0 [+24.50in-0]
OVER 30M [100FT]	+2% OF FINISHED LENGTH

**PART NUMBER LEGEND**

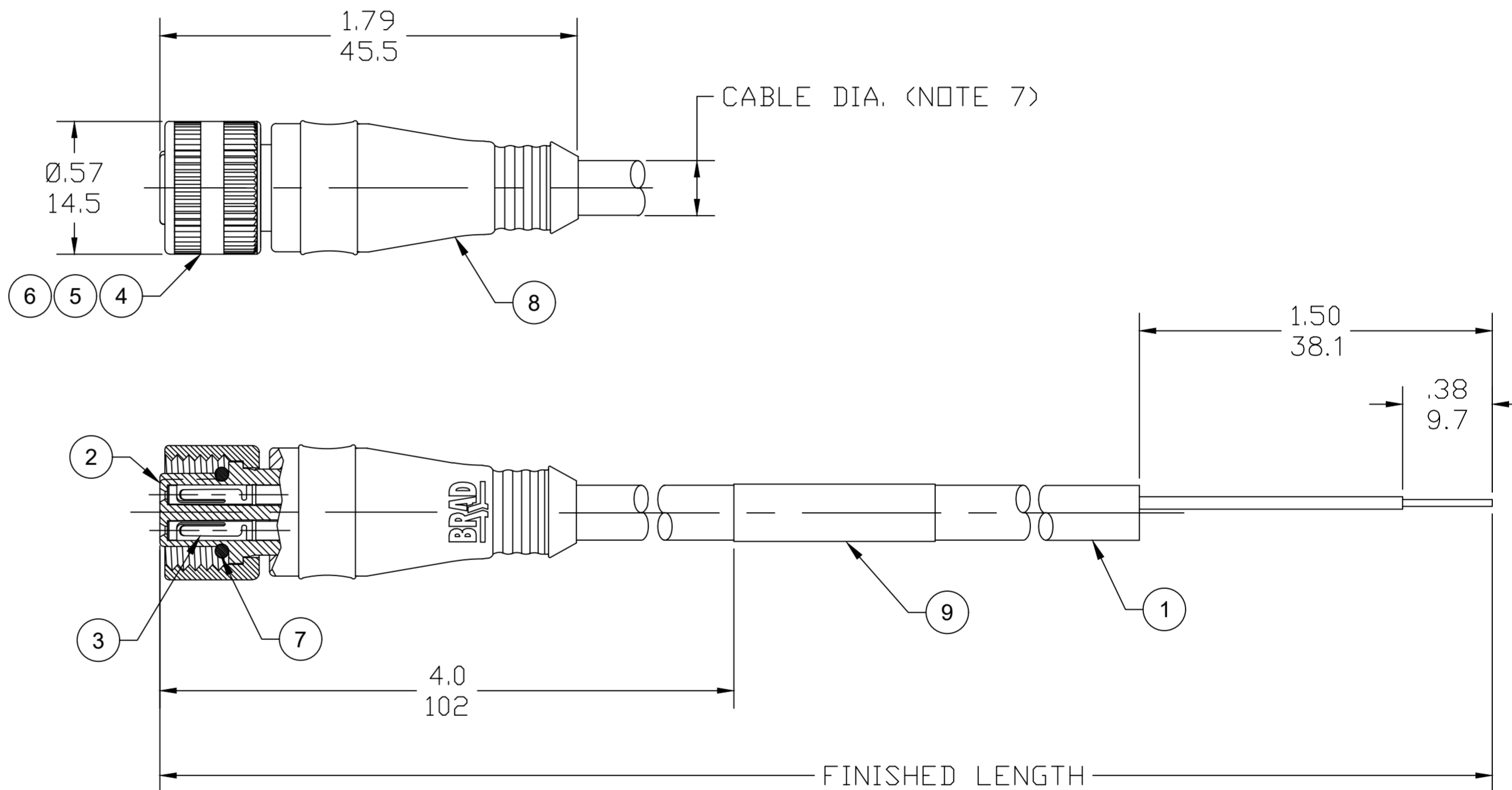
702000D02F0601

CABLE TYPE  
22AWG SHLD, PVC

COUPLING NUT OPTIONS  
BLANK= DIE CAST ZINC  
1= 303 STAINLESS STEEL  
2= NON METALLIC  
8= 316 ST. STEEL

FINISHED LENGTH:  
F010= 1 FOOT  
F100= 10FEET

M005= 0.5 METER  
M010= 1 METER  
M100= 10 METER



- NOTES:**
1. MATERIAL: AS NOTED
  2. FINISH: AS NOTED
  3. ELECTRICAL:  
VOLTAGE: 250 VOLTS AC/DC  
CURRENT: 4A
  4. TEMP RATING: -20°TO +105°C
  5. PROTECTION: IP67 (WHEN MATED)
  6. COUPLING THREAD: 1/2-20 UNF
  7. CABLE DIA: MIN .20 FOR 2 CIR, MAX .25 FOR 6 CIR
  8. ALL DIMS ARE FOR REFERENCE UNLESS NOTED OTHERWISE

PRE-RELEASE  
REFERENCE  
USE ONLY

PART NO.	ENGINEERING NO.	FINISHED LENGTH
1200720058	702000D02F020	2 FEET
1200720062	702000D02F0601	6 FEET
1200720574	706000D02F1202	12 FEET

ITEM	DESCRIPTION	MATERIAL	FINISH
9	WRAP LABEL	VINYL	BLACK/YELLOW
8	OVERMOLD	TPC	YELLOW
7	O-RING	NITRILE	RED
6	COUPLING NUT, FEMALE THD (-2 OPT)	DELTRIN	WHITE
5	COUPLING NUT, FEMALE THD (-1 & -8 OPT)	ST. STEEL	PASSIVATED
4	COUPLING NUT, FEMALE THD (STD OPT)	ZINC DIE-CAST	BLACK
3	CONTACT SOCKET	COPPER ALLOY	GOLD PLATED
2	FEMALE INSERT	NYLON	BLACK
1	CABLE, 22 AWG, SHIELDED	PVC JACKET	YELLOW

THIS DRAWING CONTAINS INFORMATION THAT IS PROPRIETARY TO MOLEX ELECTRONIC TECHNOLOGIES, LLC AND SHOULD NOT BE USED WITHOUT WRITTEN PERMISSION

FUNCTIONAL DIMENSION UNITS: INCH/MM, SCALE: NTS

GENERAL TOLERANCES (UNLESS SPECIFIED):  
 4 PLACES ±--- ±---  
 3 PLACES ±--- ±---  
 2 PLACES ±--- ±---  
 1 PLACE ±--- ±---  
 0 PLACES ±--- ±---  
 ANGULAR TOL ± --- °

DIVISIONAL SYMBOLS: FA=0, EC=0, EP=0

EC NO: ---  
 DRWN: CCHRASTKA 2020/07/23  
 CHK'D: ALEON01 2020/07/24  
 APPR: ---  
 INITIAL REVISION:  
 DRWN: RSTONE 2017/07/14  
 APPR: BWOODMAN 2017/07/21

THIRD ANGLE PROJECTION, DRAFTING: C-SIZE, SERIES: 120072

**molex**  
 MIC CORD ASSY 2-6 POLE  
 FEMALE, DUAL KEY 22 AWG SHIELDED PVC

PRODUCT CUSTOMER DRAWING  
 DOCUMENT NUMBER: SD-120072-022, DOC TYPE/DOC PART: PSD 001, REVISION: B

MATERIAL NUMBER: SEE TABLE, CUSTOMER: GENERAL MARKET, SHEET NUMBER: 1 OF 1

## X-ON Electronics

Largest Supplier of Electrical and Electronic Components

*Click to view similar products for [Sensor Cables / Actuator Cables](#) category:*

*Click to view products by [Molex](#) manufacturer:*

Other Similar products are found below :

[1300070444](#) [43-10984](#) [M83513/19-F01CP](#) [704000D02F120](#) [MDM15SH001K](#) [MDM25PH003BF222](#) [802027107404-1](#) [885030A09M010](#)  
[885030A09M020](#) [1200650174](#) [1200651332](#) [1200651713](#) [1200660171](#) [1200660208](#) [1200660343](#) [1200660804](#) [1200660845](#) [1200660926](#)  
[1200660977](#) [1200661173](#) [1200661354](#) [120066-1712](#) [1200720053](#) [1200720099](#) [1200720153](#) [1200720172](#) [1200720217](#) [1200720226](#)  
[1200720251](#) [1200720285](#) [1200720296](#) [1200720404](#) [1200730148](#) [1200730378](#) [1200800231](#) [1200860112](#) [1200860121](#) [1200860125](#)  
[1200860337](#) [1200860365](#) [1200860420](#) [1200870046](#) [1200870123](#) [1200870248](#) [1200980102](#) [1200660181](#) [1200660183](#) [1200660827](#)  
[1200660849](#) [1200661170](#)