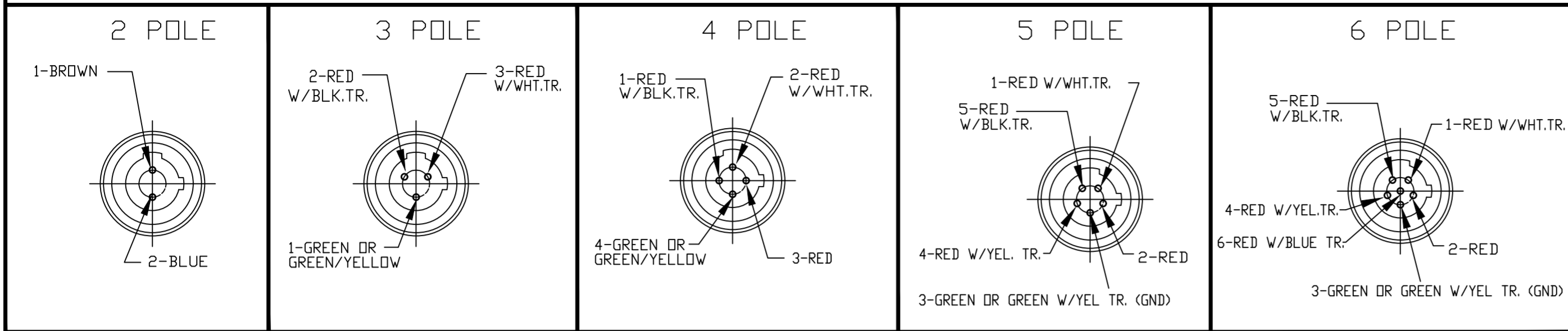


FRONT VIEW — FEMALE INSERT WIRING COLOR CODE



CABLE LENGTH TOLERANCES

>.3M [1FT]:	+19mm-0 [+1.75in-0]
.3 - .9M [1 - 3FT]:	+44.5mm-0 [+1.75in-0]
.9 - 1.8M [3 - 6FT]:	+55.6mm-0 [+2.19in-0]
1.8 - 3.7M [6 - 12FT]:	+88.9mm-0 [+3.50in-0]
3.7 - 7.3M [12 - 24FT]:	+165.1mm-0 [+6.50in-0]
7.3-14.6M [24 - 48FT]:	+317.5mm-0 [+12.50in-0]
14.6 - 30.5M [48-100FT]:	+622.3mm-0 [+24.50in-0]
OVER 30M [100FT]	+2% OF FINISHED LENGTH

PART NUMBER LEGEND

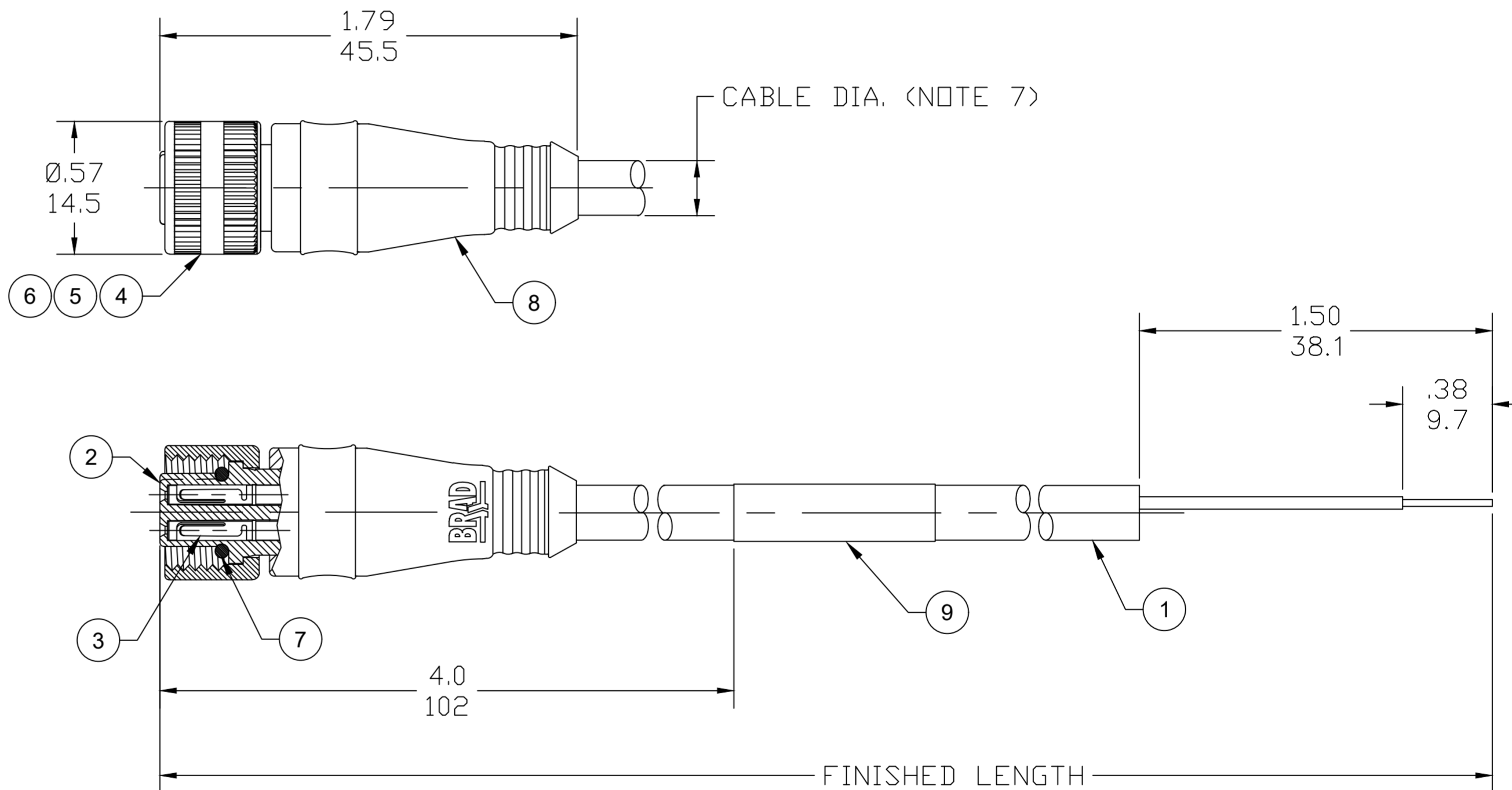
702000D02F0601

CABLE TYPE
22AWG SHLD, PVC

COUPLING NUT OPTIONS
BLANK= DIE CAST ZINC
1= 303 STAINLESS STEEL
2= NON METALLIC
8= 316 ST. STEEL

FINISHED LENGTH:
F010= 1 FOOT
F100= 10FEET

M005= 0.5 METER
M010= 1 METER
M100= 10 METER



- NOTES:**
1. MATERIAL: AS NOTED
 2. FINISH: AS NOTED
 3. ELECTRICAL:
VOLTAGE: 250 VOLTS AC/DC
CURRENT: 4A
 4. TEMP RATING: -20°TO +105°C
 5. PROTECTION: IP67 (WHEN MATED)
 6. COUPLING THREAD: 1/2-20 UNF
 7. CABLE DIA: MIN .20 FOR 2 CIR, MAX .25 FOR 6 CIR
 8. ALL DIMS ARE FOR REFERENCE UNLESS NOTED OTHERWISE

PRE-RELEASE
REFERENCE
USE ONLY

PART NO.	ENGINEERING NO.	FINISHED LENGTH
1200720058	702000D02F020	2 FEET
1200720062	702000D02F0601	6 FEET
1200720574	706000D02F1202	12 FEET

ITEM	DESCRIPTION	MATERIAL	FINISH
9	WRAP LABEL	VINYL	BLACK/YELLOW
8	OVERMOLD	TPC	YELLOW
7	O-RING	NITRILE	RED
6	COUPLING NUT, FEMALE THD (-2 OPT)	DELRI	WHITE
5	COUPLING NUT, FEMALE THD (-1 & -8 OPT)	ST. STEEL	PASSIVATED
4	COUPLING NUT, FEMALE THD (STD OPT)	ZINC DIE-CAST	BLACK
3	CONTACT SOCKET	COPPER ALLOY	GOLD PLATED
2	FEMALE INSERT	NYLON	BLACK
1	CABLE, 22 AWG, SHIELDED	PVC JACKET	YELLOW

THIS DRAWING CONTAINS INFORMATION THAT IS PROPRIETARY TO MOLEX ELECTRONIC TECHNOLOGIES, LLC AND SHOULD NOT BE USED WITHOUT WRITTEN PERMISSION

FUNCTIONAL DIMENSION UNITS: INCH/MM, SCALE: NTS

GENERAL TOLERANCES (UNLESS SPECIFIED):
 4 PLACES ±.005 ±.005
 3 PLACES ±.005 ±.005
 2 PLACES ±.005 ±.005
 1 PLACE ±.005 ±.005
 0 PLACES ±.005 ±.005

ANGULAR TOL ±.005 °

DRAFT WHERE APPLICABLE MUST REMAIN WITHIN DIMENSIONS

THIRD ANGLE PROJECTION

DRAWING: C-SIZE, SERIES: 120072

EC NO: ---
 DRWN: CCHRASTKA 2020/07/23
 CHK'D: ALEON01 2020/07/24
 APPR: ---

INITIAL REVISION:
 DRWN: RSTONE 2017/07/14
 APPR: BWOODMAN 2017/07/21

PRODUCT CUSTOMER DRAWING

DOCUMENT NUMBER: SD-120072-022, DOC TYPE/DOC PART: PSD 001, REVISION: B

MATERIAL NUMBER: SEE TABLE, CUSTOMER: GENERAL MARKET, SHEET NUMBER: 1 OF 1

X-ON Electronics

Largest Supplier of Electrical and Electronic Components

Click to view similar products for [Sensor Cables / Actuator Cables](#) category:

Click to view products by [Molex](#) manufacturer:

Other Similar products are found below :

[60963](#) [60964](#) [703000D02F2002](#) [703001D02F0602](#) [703001D02F300](#) [704000D02F120](#) [773032K02F030](#) [802027107404-1](#) [802027213811-1](#)
[804001A09M150](#) [805001A09M0502](#) [84914-0235](#) [84914-0237](#) [885030A09M020](#) [8R4J30E03C3003](#) [1200651332](#) [1200651713](#) [1200660844](#)
[1200660845](#) [1200661173](#) [1200680071](#) [1200720053](#) [1200720081](#) [1200720099](#) [1200720217](#) [1200800231](#) [1200860125](#) [1200870123](#)
[1200980102](#) [1200650267](#) [1200650298](#) [1200660183](#) [1200660782](#) [1200660849](#) [1200661295](#) [1200661297](#) [1200661342](#) [1200661343](#)
[1200670080](#) [1200670220](#) [1200680331](#) [1200720252](#) [1200730184](#) [1200860344](#) [1200870359](#) [1200870643](#) [1200980008](#) [1200980031](#)
[1210502211](#) [1210400542](#)