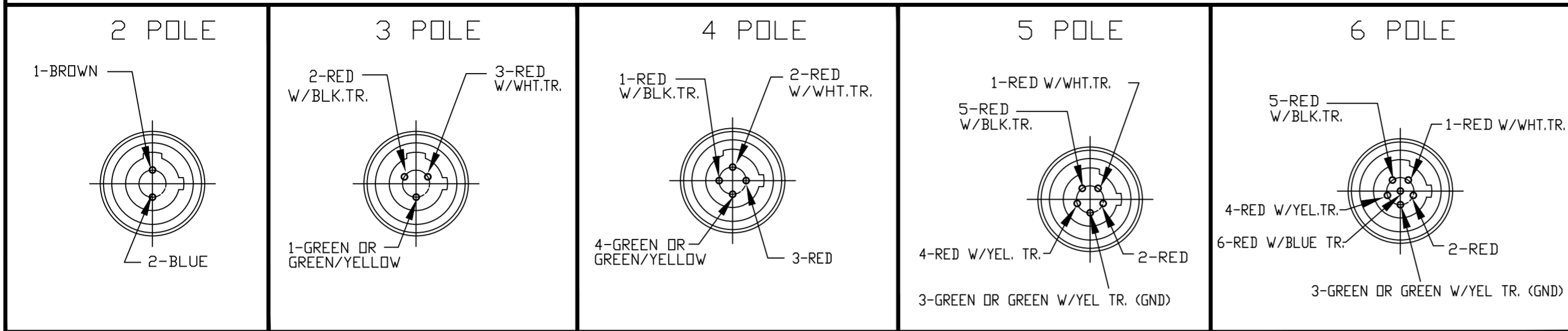


FRONT VIEW — FEMALE INSERT WIRING COLOR CODE



**CABLE LENGTH TOLERANCES**

>.3M [1FT]:	+19mm-0 [+0.75in-0]
.3 - .9M [1 - 3FT]:	+44.5mm-0 [+1.75in-0]
.9 - 1.8M [3 - 6FT]:	+55.6mm-0 [+2.19in-0]
1.8 - 3.7M [6 - 12FT]:	+88.9mm-0 [+3.50in-0]
3.7 - 7.3M [12 - 24FT]:	+165.1mm-0 [+6.50in-0]
7.3-14.6M [24 - 48FT]:	+317.5mm-0 [+12.50in-0]
14.6 - 30.5M [48-100FT]:	+622.3mm-0 [+24.50in-0]
OVER 30M [100FT]	+2% OF FINISHED LENGTH

**PART NUMBER LEGEND**

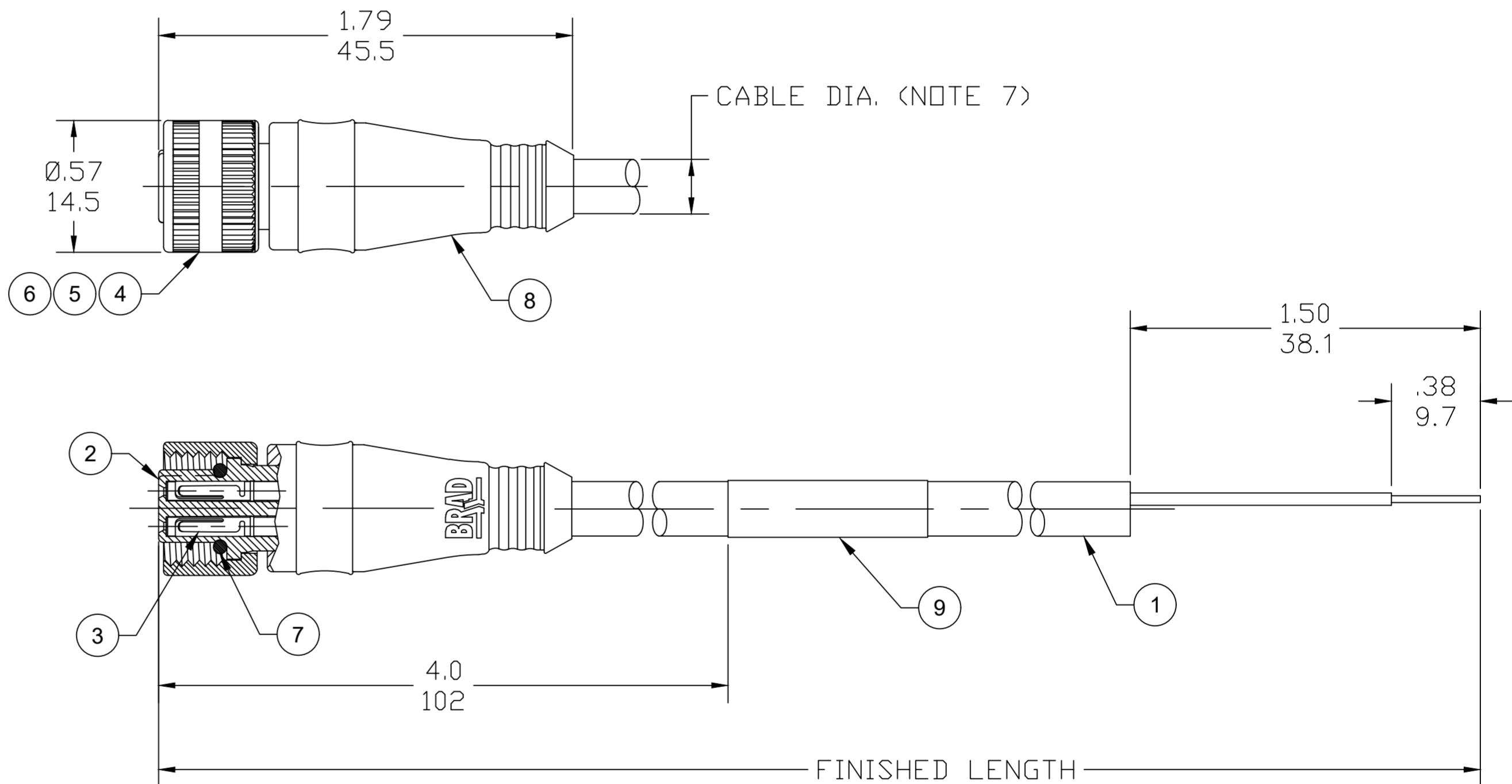
702000D02F0601

CABLE TYPE  
22AWG SHLD, PVC

COUPLING NUT OPTIONS  
BLANK= DIE CAST ZINC  
1= 303 STAINLESS STEEL  
2= NON METALLIC  
8= 316 ST. STEEL

FINISHED LENGTH:  
F010= 1 FOOT  
F100= 10FEET

M005= 0.5 METER  
M010= 1 METER  
M100= 10 METER



- NOTES:**
1. MATERIAL: AS NOTED
  2. FINISH: AS NOTED
  3. ELECTRICAL:  
VOLTAGE: 250 VOLTS AC/DC  
CURRENT: 4A
  4. TEMP RATING: -20°TO +105°C
  5. PROTECTION: IP67 (WHEN MATED)
  6. COUPLING THREAD: 1/2-20 UNF
  7. CABLE DIA: MIN .20 FOR 2 CIR, MAX .25 FOR 6 CIR
  8. ALL DIMS ARE FOR REFERENCE UNLESS NOTED OTHERWISE

PRE-RELEASE  
REFERENCE  
USE ONLY

PART NO.	ENGINEERING NO.	FINISHED LENGTH
1200720058	702000D02F020	2 FEET
1200720062	702000D02F0601	6 FEET
1200720574	706000D02F1202	12 FEET

ITEM	DESCRIPTION	MATERIAL	FINISH
9	WRAP LABEL	VINYL	BLACK/YELLOW
8	OVERMOLD	TPC	YELLOW
7	O-RING	NITRILE	RED
6	COUPLING NUT, FEMALE THD (-2 OPT)	DELRI	WHITE
5	COUPLING NUT, FEMALE THD (-1 & -8 OPT)	ST. STEEL	PASSIVATED
4	COUPLING NUT, FEMALE THD (STD OPT)	ZINC DIE-CAST	BLACK
3	CONTACT SOCKET	COPPER ALLOY	GOLD PLATED
2	FEMALE INSERT	NYLON	BLACK
1	CABLE, 22 AWG, SHIELDED	PVC JACKET	YELLOW

THIS DRAWING CONTAINS INFORMATION THAT IS PROPRIETARY TO MOLEX ELECTRONIC TECHNOLOGIES, LLC AND SHOULD NOT BE USED WITHOUT WRITTEN PERMISSION

FUNCTIONAL DIMENSION UNITS: INCH/MM | SCALE: NTS

GENERAL TOLERANCES (UNLESS SPECIFIED):  
4 PLACES ±--- | 3 PLACES ±--- | 2 PLACES ±--- | 1 PLACE ±--- | 0 PLACES ±---

DIVISIONAL SYMBOLS: DRAFT WHERE APPLICABLE MUST REMAIN WITHIN DIMENSIONS

THIRD ANGLE PROJECTION

CURRENT REV DESC: UPDATE ITEM LIST

EC NO: ---  
DRWN: CCHRASTKA 2020/07/23  
CHK'D: ALEON01 2020/07/24  
APPR: ---

INITIAL REVISION:  
DRWN: RSTONE 2017/07/14  
APPR: BWOODMAN 2017/07/21

DOCUMENT NUMBER: SD-120072-022 | DOC TYPE/DOC PART/REVISION: PSD 001 B

MATERIAL NUMBER: SEE TABLE | CUSTOMER: GENERAL MARKET | SHEET NUMBER: 1 OF 1

## X-ON Electronics

Largest Supplier of Electrical and Electronic Components

*Click to view similar products for [D-Sub Micro-D Connectors](#) category:*

*Click to view products by [Molex](#) manufacturer:*

Other Similar products are found below :

[M243082311F](#) [M2430834F](#) [M24308/4-6F](#) [65-1920-15](#) [M83513/01-HN](#) [M83513/03-A10N](#) [M83513/03-B14C](#) [M83513/03-D09C](#) [M83513/03-D11N](#) [M83513/03-G02N](#) [M83513/03-G05N](#) [M83513/03-G08C](#) [M83513/03-G09N](#) [M83513/03-G12N](#) [M83513/03-H13N](#) [M83513/04-E15N](#) [M83513/04-G04C](#) [M83513/10-E01NP](#) [M83513/13-B01NP](#) [M83513/13-C01NN](#) [M83513/16-A01CP](#) [M83513/22-D01NP](#) [M83513/25-B01NP](#) [6R2004A30F015](#) [6R4006A28A120](#) [703006A13F060](#) [704002A03F200](#) [705001A13F120](#) [7-1532020-5](#) [748567-1-P](#) [MDB1-31SH003](#) [MDM-15PBS-L58](#) [MDM-15PCBRM7T](#) [MDM-15PH003B-A174](#) [75-068624-59S](#) [MDM-15PH034B](#) [MDM-15SH001L](#) [MDM-15SH004B](#) [MDM-21PH003K](#) [MDM-25PH003B-A174](#) [MDM-25PHW01F-A174](#) [MDM-37PH006L-A174](#) [MDM-37PH048M5-A174](#) [MDM-37SCBRP-A174](#) [MDM-51PBS-L56](#) [MDM-51PSF](#) [MDM-51SH003M7](#) [MDM-51SSM7-A174](#) [MDM-9PBSP-L58](#) [MDM-9PH003M7](#)