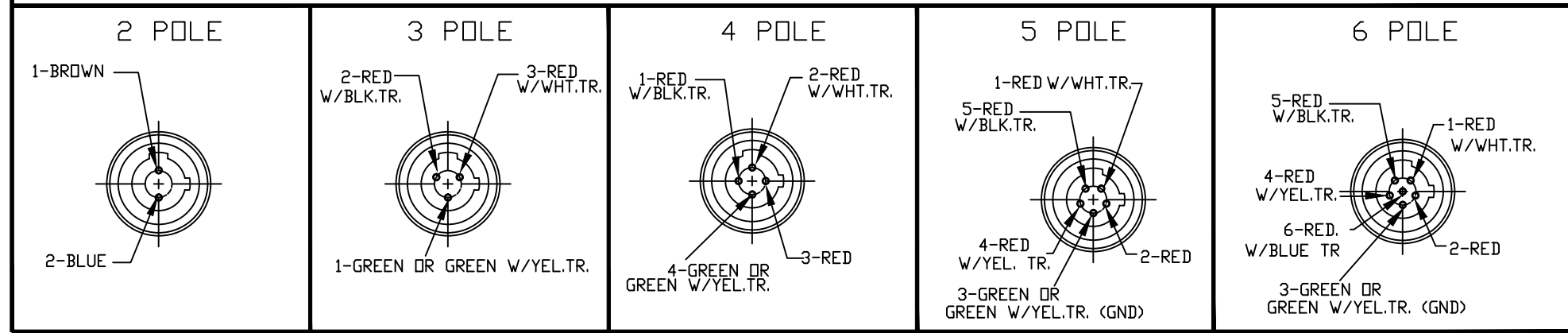
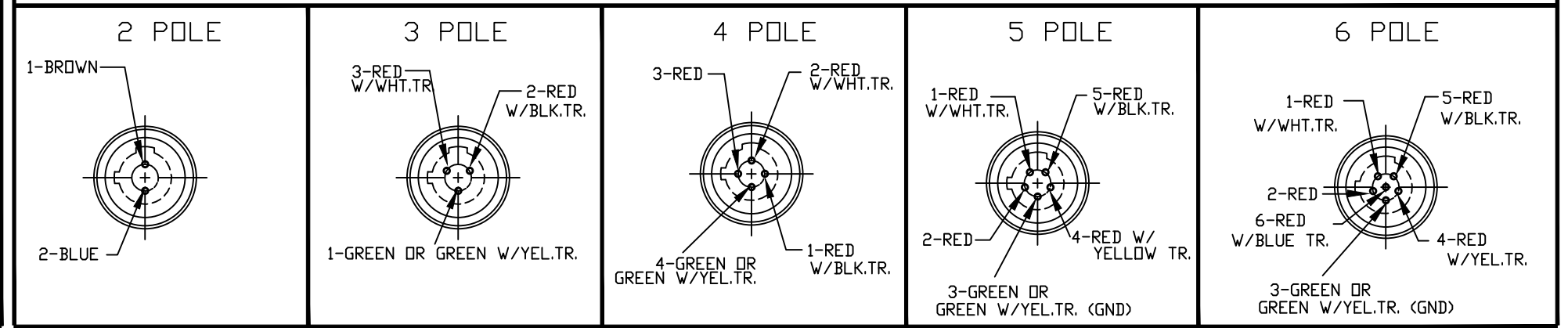


FRONT VIEW — FEMALE INSERT WIRING COLOR CODE

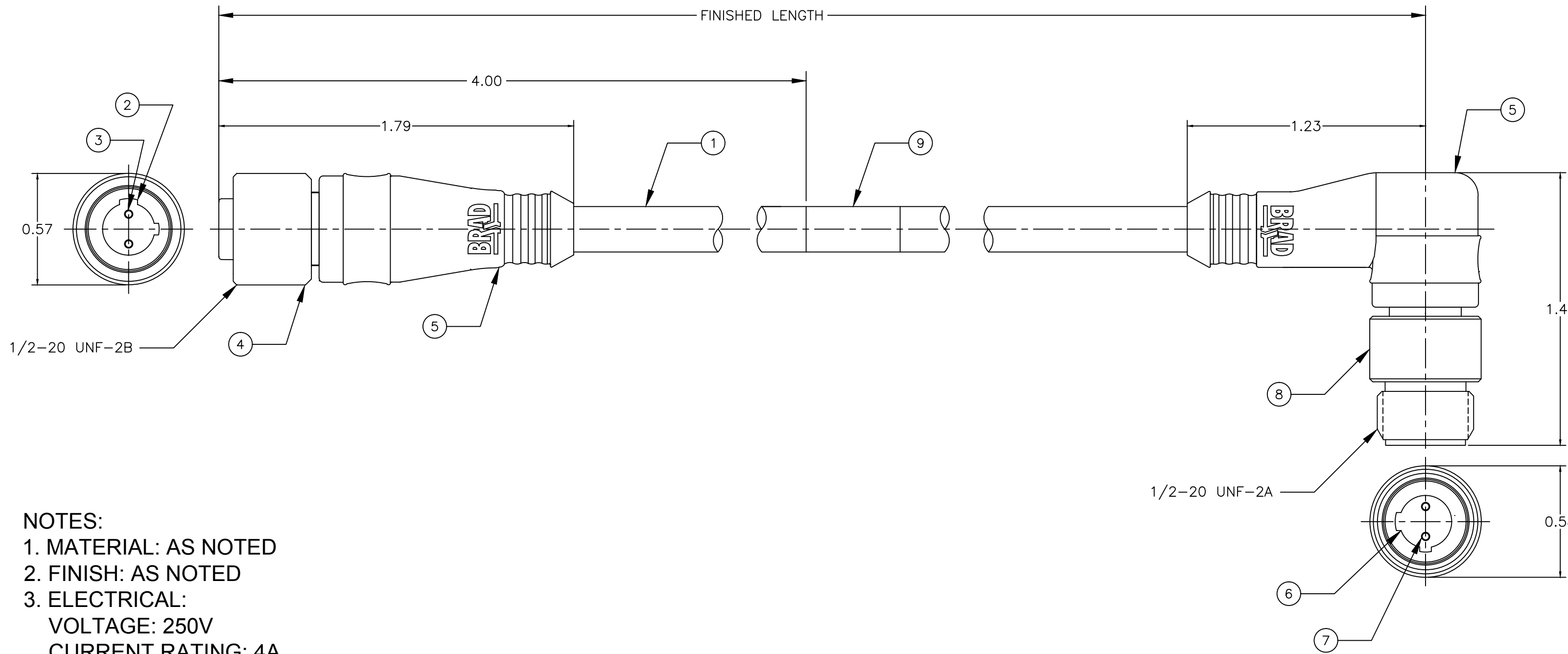


FRONT VIEW — MALE INSERT WIRING COLOR CODE



**CABLE LENGTH TOLERANCES**

>.3M [1FT]:	+19mm-0 [+1.75in-0]
.3 - .9M [1 - 3FT]:	+44.5mm-0 [+1.75in-0]
.9 - 1.8M [3 - 6FT]:	+55.6mm-0 [+2.19in-0]
1.8 - 3.7M [6 - 12FT]:	+88.9mm-0 [+3.50in-0]
3.7 - 7.3M [12 - 24FT]:	+165.1mm-0 [+6.50in-0]
7.3-14.6M [24 - 48FT]:	+317.5mm-0 [+12.50in-0]
14.6 - 30.5M [48-100FT]:	+622.3mm-0 [+24.50in-0]
OVER 30M [100FT]	+2% OF FINISHED LENGTH



- NOTES:**
1. MATERIAL: AS NOTED
  2. FINISH: AS NOTED
  3. ELECTRICAL:  
VOLTAGE: 250V  
CURRENT RATING: 4A
  4. TEMP RATING: -20° TO +60°C
  5. PROTECTION: IP67 (WHEN MATED)
  6. CSA CERTIFICATION FILE: LR6837
  7. ALL DIMS ARE FOR REFERENCE UNLESS NOTED OTHERWISE

PART NUMBER LEGEND

**772032D02F010**

LENGTH
F005 = .5 FEET
F010 = 1 FEET
F100 = 10 FEET

PART NUMBER	ENGINEERING P/N	FINISHED LENGTH
1200730655	772032D02F060	6 FEET

ITEM	DESCRIPTION	MATERIAL	FINISH
9	WRAP LABEL	VINYL	BLACK/YELLOW
8	MALE COUPLING NUT	ZINC DIE-CAST	BLACK
7	CONTACT PIN	COPPER ALLOY	GOLD PLATED
6	MALE INSERT	NYLON	BLACK
5	OVERMOLDS	PVC	YELLOW
4	FEMALE COUPLING NUT	ZINC DIE-CAST	BLACK
3	CONTACT SOCKET	COPPER ALLOY	GOLD PLATED
2	FEMALE INSERT	NYLON	BLACK
1	CABLE #22/2	PVC JACKET	YELLOW

INITIAL RELEASE	EC NO: IPG2018-0317	DRWN: CCHRSTK 2017/12/13	CHKD: RSTONE 2017/12/13	APPR: BWOODMAN 2017/12/18	DESCRIPTION
QUALITY SYMBOL	▽=0	▽C=0			

GENERAL TOLERANCES (UNLESS SPECIFIED)	
mm	INCH
4 PLACES	±---
3 PLACES	±---
2 PLACES	±---
1 PLACE	±---
ANGULAR ±---°	
DRAFT WHERE APPLICABLE MUST REMAIN WITHIN DIMENSIONS	

DIMENSION STYLE	
INCH	
DRAWN BY	DATE
CCHRSTK	2017/12/13
CHECKED BY	DATE
RSTONE	2017/12/13
APPROVED BY	DATE
BWOODMAN	2017/12/18
MATERIAL NO.	
SEE CHART	
SIZE	C

SCALE	NONE	DESIGN UNITS	INCH	THIRD ANGLE PROJECTION
TITLE				
MIC M/MFE 90/ST SHD PVC				
MOLEX INCORPORATED				
DOCUMENT NO.			SHEET NO.	
SD-120073-010			1 OF 1	
THIS DRAWING CONTAINS INFORMATION THAT IS PROPRIETARY TO MOLEX INCORPORATED AND SHOULD NOT BE USED WITHOUT WRITTEN PERMISSION				

## X-ON Electronics

Largest Supplier of Electrical and Electronic Components

*Click to view similar products for [Sensor Cables / Actuator Cables](#) category:*

*Click to view products by [Molex](#) manufacturer:*

Other Similar products are found below :

[60963](#) [60964](#) [703000D02F2002](#) [703001D02F0602](#) [703001D02F300](#) [704000D02F120](#) [773032K02F030](#) [802027107404-1](#) [802027213811-1](#)  
[804001A09M150](#) [805001A09M0502](#) [84914-0235](#) [84914-0237](#) [885030A09M020](#) [8R4J30E03C3003](#) [1200651332](#) [1200651713](#) [1200660844](#)  
[1200660845](#) [1200661173](#) [1200680071](#) [1200720053](#) [1200720081](#) [1200720099](#) [1200720217](#) [1200800231](#) [1200860125](#) [1200870123](#)  
[1200980102](#) [1200650267](#) [1200650298](#) [1200660183](#) [1200660782](#) [1200660849](#) [1200661295](#) [1200661297](#) [1200661342](#) [1200661343](#)  
[1200670080](#) [1200670220](#) [1200680331](#) [1200720252](#) [1200730184](#) [1200860344](#) [1200870359](#) [1200870643](#) [1200980008](#) [1200980031](#)  
[1210502211](#) [1210400542](#)