

**PLEASE CHECK WWW.MOLEX.COM FOR LATEST PART INFORMATION**

**Part Number:** [1200740079](#)  
**Status:** **Active**  
**Overview:** Brad Micro-Change (M12) Connectors  
**Description:** Micro-Change (1/2" - 20 UNF) US Dual Keyway Receptacle, 3 Poles, 1/4" -18 NPT Mounting Threads, Male (Straight) to 22 AWG PVC Leads, 0.305m (1.0') Length

**Documents:**

[Drawing \(PDF\)](#) [RoHS Certificate of Compliance \(PDF\)](#)

**Agency Certification**

CSA LR6837  
 UL E152210

**General**

Product Family Industrial Receptacles  
 Series [120074](#)  
 IP Rating IP67  
 NEMA Rating NEMA 6  
 Overview [Brad Micro-Change \(M12\) Connectors](#)  
 Product Name Micro-Change (1/2" - 20 UNF)  
 Type Single Ended (pigtail)  
 UPC 78172554829

**Physical**

Coupling Type External Thread  
 Gender Male  
 Keyway Dual  
 Length 0.305m  
 Material - Component Clear Anodized Aluminum  
 Mounting Thread Size 1/4" - 18 NPT  
 Net Weight 65.000/g  
 Orientation Straight  
 Panel Mount Front  
 Poles 3  
 Temperature Range - Operating -20° to +80°C  
 Wire Size AWG 22  
 Wire/Cable Type UL 1061

**Electrical**

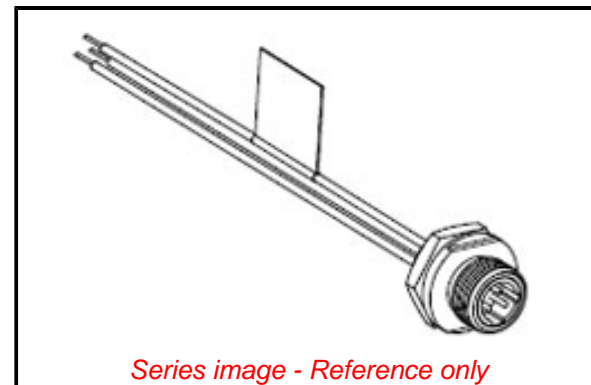
Current - Maximum per Contact 4.0A  
 Voltage - Maximum 250V AC/DC

**Material Info**

Engineering Number 7R3A06A19A120

**Reference - Drawing Numbers**

Sales Drawing SD-120074-001-001, SD-120074-030-001



*Series image - Reference only*

**EU ELV**

**Not Relevant**

**EU RoHS**

**Compliant with Exemption 6(b)-II,6(c)**

**REACH SVHC**

Contained Per - D(2021)4569-DC (8 July 2021)

Lead

**Halogen-Free**

**Status**

**Not Low-Halogen**

For more information, please visit [Contact US](#)

China ROHS

50 Image

ELV

Not Relevant

RoHS Phthalates

Not Contained

**Search Parts in this Series**

120074 Series

## X-ON Electronics

Largest Supplier of Electrical and Electronic Components

*Click to view similar products for [Specialised Cables](#) category:*

*Click to view products by [Molex](#) manufacturer:*

Other Similar products are found below :

[603PT6](#) [603SS6L](#) [604PT6](#) [604SS6](#) [706000D02F200](#) [910640](#) [1200740077](#) [1200740114](#) [AC172](#) [ACL-SSI-4](#) [R88ACAKA0015SRE](#)  
[R88ACAWL005SDE](#) [R88ACRGD0R3C](#) [1300150047](#) [1300660036](#) [1302262116](#) [1300150149](#) [1300220020](#) [1300220104](#) [1300220119](#)  
[1301240492](#) [1301810221](#) [1365323-1](#) [1613055](#) [176P12](#) [1971465-2](#) [20240400003](#) [20240400013](#) [2085828-1](#) [20886510030](#) [2-22733-8](#) [22733-](#)  
[8](#) [CB-5PSBC-RS](#) [CB-704EC-RS](#) [CB-BATACC-RS](#) [CB-JST3PSW-RS](#) [CB-M12COM-R10](#) [25AC84](#) [25AK84X](#) [25AU25](#) [25FN82](#) [3011-03](#)  
[AC118](#) [ACL-HHS-1M\(CAT5E\)](#) [SSL009PC2DC012N](#) [FC2A-KC6C](#) [2085828-2](#) [20886510150](#) [CCS-FCB-5](#) [CCSFCBF2](#)