

PLEASE CHECK WWW.MOLEX.COM FOR LATEST PART INFORMATION

Part Number: [1200740081](#)
Status: **Active**
Overview: Brad Micro-Change (M12) Connectors
Description: Micro-Change (1/2" - 20 UNF) US Dual Keyway Receptacle, 3 Poles, 1/4" -18 NPT Mounting Threads, Male (Straight) 22 AWG PVC Leads, Length1.83m

Documents:

[Drawing \(PDF\)](#) [RoHS Certificate of Compliance \(PDF\)](#)

Agency Certification

CSA LR6837
 UL E152210

General

Product Family Industrial Receptacles
 Series [120074](#)
 IP Rating IP67
 NEMA Rating NEMA 6
 Overview [Brad Micro-Change \(M12\) Connectors](#)
 Product Name Micro-Change (1/2" - 20 UNF)
 Type Single Ended (pigtail)
 UPC 78678821720

Physical

Coupling Type External Thread
 Gender Male
 Keyway Dual
 Length 1.83m
 Material - Component Gray Anodized Aluminum
 Mounting Thread Size 1/4" - 18 NPT
 Orientation Straight
 Panel Mount Front
 Poles 3
 Temperature Range - Operating -20° to +80°C
 Wire Size AWG 22
 Wire/Cable Type Leads, UL 1061

Electrical

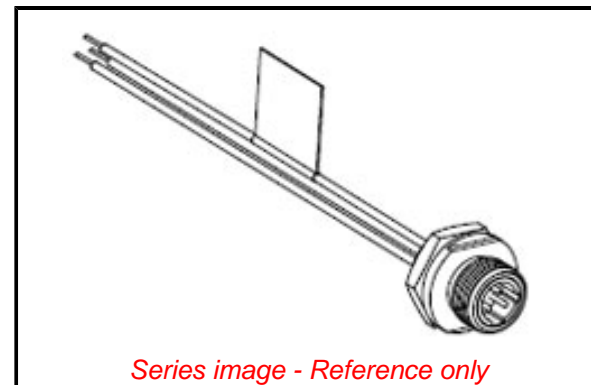
Current - Maximum per Contact 4.0A
 Voltage - Maximum 250V AC/DC

Material Info

Engineering Number 7R3A06A19F060

Reference - Drawing Numbers

Sales Drawing SD-120074-001-001



Series image - Reference only

EU ELV

Not Reviewed

EU RoHS

Not Reviewed

REACH SVHC

Not Reviewed

Halogen-Free

Status

Not Reviewed

For more information, please visit [Contact US](#)

China ROHS

Not Reviewed

ELV

Not Reviewed

RoHS Phthalates

Not Reviewed

Search Parts in this Series

[120074 Series](#)

X-ON Electronics

Largest Supplier of Electrical and Electronic Components

Click to view similar products for [Specialised Cables](#) category:

Click to view products by [Molex](#) manufacturer:

Other Similar products are found below :

[603PT6](#) [603SS6L](#) [604PT6](#) [604SS6](#) [706000D02F200](#) [910640](#) [1200740077](#) [1200740114](#) [AC172](#) [ACL-SSI-4](#) [R88ACAKA0015SRE](#)
[R88ACAWL005SDE](#) [R88ACRGD0R3C](#) [1300150047](#) [1300660036](#) [1302262116](#) [1300150149](#) [1300220020](#) [1300220104](#) [1300220119](#)
[1301240492](#) [1301810221](#) [1365323-1](#) [1613055](#) [176P12](#) [1971465-2](#) [20240400003](#) [20240400013](#) [2085828-1](#) [20886510030](#) [2-22733-8](#) [22733-](#)
[8](#) [CB-5PSBC-RS](#) [CB-704EC-RS](#) [CB-BATACC-RS](#) [CB-JST3PSW-RS](#) [CB-M12COM-R10](#) [25AC84](#) [25AK84X](#) [25AU25](#) [25FN82](#) [3011-03](#)
[AC118](#) [ACL-HHS-1M\(CAT5E\)](#) [SSL009PC2DC012N](#) [FC2A-KC6C](#) [2085828-2](#) [20886510150](#) [CCS-FCB-5](#) [CCSFCBF2](#)