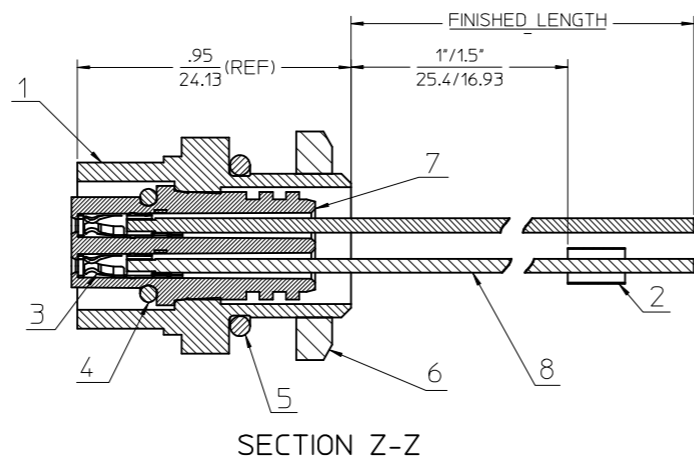
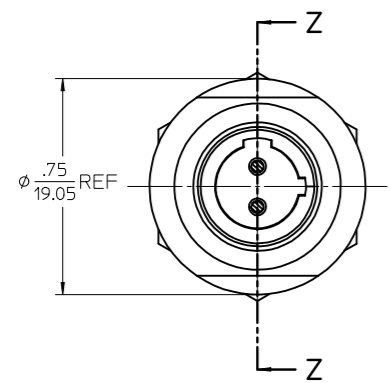


FACE VIEW - FEMALE INSERT
SCALE 2 : 1

1 BROWN 2 BLUE	1 GREEN 2 RED/BLACK 3 RED/WHITE	1 RED/BLACK 2 RED/WHITE 3 RED 4 GREEN	1 RED/WHITE 2 RED 3 GREEN 4 RED/YELLOW 5 RED/BLACK	1 RED/WHITE 2 RED 3 GREEN 4 RED/YELLOW 5 RED/BLACK 6 RED/BLUE



FINAL ASSEMBLY
1200740014 (SHOWN)

ENTER DESCRIPTION EC NO: WNA2010-0078 DRAWN BY: NKUMAR01 CHKD: JFMURPHY APPR: JFMURPHY	2009/08/25 2009/08/27 2009/08/28	QUALITY SYMBOLS =0 =0	GENERAL TOLERANCES (UNLESS SPECIFIED)		DIMENSION STYLE IN/MM		SCALE 2:1	DESIGN UNITS INCH	THIRD ANGLE PROJECTION
	4 PLACES ± --- ± --- 3 PLACES ± --- ± --- 2 PLACES ± --- ± --- 1 PLACE ± --- ± ---		mm INCH ± --- ± --- ± --- ± --- ± --- ± ---	DRAWN BY NKUMAR01	DATE 25/08/09	TITLE MIC 2P F/FR 12IN. 1/4NPT #22 P			
	CHECKED BY BWOODMAN		DATE 25/08/09	APPROVED BY JFMURPHY		DATE 2009/08/27	MOLEX INCORPORATED		
	DRAFT WHERE APPLICABLE MUST REMAIN WITHIN DIMENSIONS		MATERIAL NO. SEE SHEET 2	DOCUMENT NO. SD-120074-014	SHEET NO. 1 OF 2				

13 12 11 10 9 8 7 6 5 4 3 2 1

		FEMALE RECEPTACLE ASSEMBLY				
		2 POLE	3 POLE	4 POLE	5 POLE	6 POLE
Sl. No.	DESCRIPTION	QUANTITY				
1	MIC RCPT SHELL FEM 1/4INNPT GRY	1	1	1	1	1
2	LABEL,SELF L,YELLOW(2.25X.75IN)	1	1	1	1	1
3	MIC SOCKET CONTACT - GOLD PLATED				5	6
	MIC SOCKET CONTACT - GOLD PLATED	2	3	4		
4	O-RING.276 ID X .059 THK RED	1	1	1	1	1
5	O-RING .489 ID X .070 THK	1	1	1	1	1
6	#1/4-18IN NPS LOCKNUT	1	1	1	1	1
7	MIC 2P FI (NYLON) PLAIN	1				
	MIC 3P FI (NYLON) PLAIN		1			
	MIC 4P FI (NYLON) PLAIN			1		
	MIC 5P FI (NYLON) PLAIN				1	
	MIC 6P FI (NYLON) PLAIN					1
8	#22-1 BLU PVC WIRE UL1061	1				
	#22-1 GRN PVC WIRE UL1061		1	1	1	1
	#22-1 BRN PVC WIRE UL1061	1				
	#22-1 RED PVC WIRE UL1061			1	1	1
	#22-1 RED/WHT PVC WIRE UL1061		1	1	1	1
	#22-1 RED/BLK PVC WIRE UL1061		1	1	1	1
	#22-1 RED/BLU PVC WIRE UL1061					1
	#22-1 RED/YEL PVC WIRE UL1061				1	1

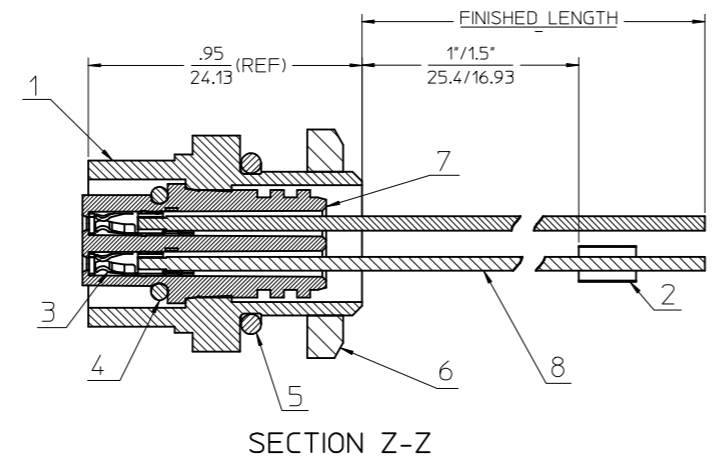
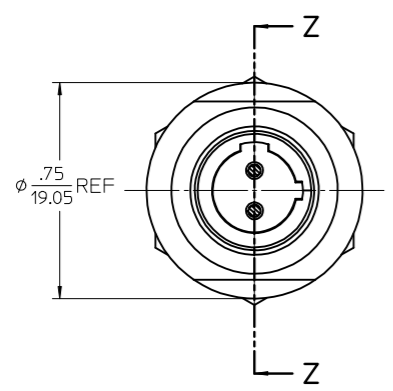
PART NUMBER	DESCRIPTION	FINISHED LENGTH
1200740014	7R2A00A19A120	12.0" +.75" -0 [0.3M +19.1MM -0]
1200740058	7R3A00A19A120	12.0" +.75" -0 [0.3M +19.1MM -0]
1200740122	7R4A00A19A120	12.0" +.75" -0 [0.3M +19.1MM -0]
1200740178	7R5A00A19A120	12.0" +.75" -0 [0.3M +19.1MM -0]
1200740232	7R6A00A19A120	12.0" +.75" -0 [0.3M +19.1MM -0]

ENTER DESCRIPTION EC NO: WNA2010-0078 DRAWN BY: NKUMAR01 2009/08/25 CHKD: 2009/08/27 APPR: JFMURPHY 2009/08/28 REV: A	QUALITY SYMBOLS =0 =0.05	GENERAL TOLERANCES (UNLESS SPECIFIED) <table border="1"> <tr> <td></td> <td>mm</td> <td>INCH</td> </tr> <tr> <td>4 PLACES</td> <td>± .005</td> <td>± .0004</td> </tr> <tr> <td>3 PLACES</td> <td>± .004</td> <td>± .0003</td> </tr> <tr> <td>2 PLACES</td> <td>± .003</td> <td>± .0002</td> </tr> <tr> <td>1 PLACE</td> <td>± .002</td> <td>± .0001</td> </tr> </table>		mm	INCH	4 PLACES	± .005	± .0004	3 PLACES	± .004	± .0003	2 PLACES	± .003	± .0002	1 PLACE	± .002	± .0001	DIMENSION STYLE IN/MM DRAWN BY: NKUMAR01 DATE: 25/08/09 CHECKED BY: BWOODMAN DATE: 25/08/09 APPROVED BY: JFMURPHY DATE: 2009/08/27	SCALE: 2:1 DESIGN UNITS: INCH THIRD ANGLE PROJECTION	TITLE MIC 2P F/FR 12IN. 1/4NPT #22 P
		mm	INCH																	
	4 PLACES	± .005	± .0004																	
	3 PLACES	± .004	± .0003																	
2 PLACES	± .003	± .0002																		
1 PLACE	± .002	± .0001																		
DRAFT WHERE APPLICABLE MUST REMAIN WITHIN DIMENSIONS		ANGULAR ±1/2°	MATERIAL NO. SEE CHART	MOLEX INCORPORATED	DOCUMENT NO. SD-120074-014															
			SIZE: C	THIS DRAWING CONTAINS INFORMATION THAT IS PROPRIETARY TO MOLEX INCORPORATED AND SHOULD NOT BE USED WITHOUT WRITTEN PERMISSION																
					SHEET NO. 2 OF 2															

12 11 10 9 8 7 6 5 4 3 2 1

FACE VIEW - FEMALE INSERT
SCALE 2 : 1

1 BROWN 2 BLUE	1 GREEN 2 RED/BLACK 3 RED/WHITE	1 RED/BLACK 2 RED/WHITE 3 RED 4 GREEN	1 RED/WHITE 2 RED 3 GREEN 4 RED/YELLOW 5 RED/BLACK	1 RED/WHITE 2 RED 3 GREEN 4 RED/YELLOW 5 RED/BLACK 6 RED/BLUE



FINAL ASSEMBLY
1200740014 (SHOWN)

ENTER DESCRIPTION EC NO: WNA2010-0078 DRAWN BY: NKUMAR01 CHKD: JFMURPHY APPR: JFMURPHY DATE: 2009/08/27 DATE: 2009/08/28	QUALITY SYMBOLS ▽=0 ▽=0	GENERAL TOLERANCES (UNLESS SPECIFIED) 4 PLACES ± .005 3 PLACES ± .004 2 PLACES ± .003 1 PLACE ± .002 ANGULAR ± 1/2°	DIMENSION STYLE IN/MM DRAWN BY: NKUMAR01 CHECKED BY: BWOODMAN APPROVED BY: JFMURPHY DATE: 25/08/09 DATE: 25/08/09 DATE: 2009/08/27	SCALE 2:1 DESIGN UNITS INCH THIRD ANGLE PROJECTION	TITLE MIC 2P F/FR 12IN. 1/4NPT #22 P	
	DRAFT WHERE APPLICABLE MUST REMAIN WITHIN DIMENSIONS			MATERIAL NO. SEE SHEET 2	DOCUMENT NO. SD-120074-014	SHEET NO. 1 OF 2
	THIS DRAWING CONTAINS INFORMATION THAT IS PROPRIETARY TO MOLEX INCORPORATED AND SHOULD NOT BE USED WITHOUT WRITTEN PERMISSION					
	MOLEX INCORPORATED					

13 12 11 10 9 8 7 6 5 4 3 2 1

		FEMALE RECEPTACLE ASSEMBLY				
		2 POLE	3 POLE	4 POLE	5 POLE	6 POLE
Sl. No.	DESCRIPTION	QUANTITY				
1	MIC RCPT SHELL FEM 1/4INNPT GRY	1	1	1	1	1
2	LABEL,SELF L,YELLOW(2.25X.75IN)	1	1	1	1	1
3	MIC SOCKET CONTACT - GOLD PLATED				5	6
	MIC SOCKET CONTACT - GOLD PLATED	2	3	4		
4	O-RING.276 ID X .059 THK RED	1	1	1	1	1
5	O-RING .489 ID X .070 THK	1	1	1	1	1
6	#1/4-18IN NPS LOCKNUT	1	1	1	1	1
7	MIC 2P FI (NYLON) PLAIN	1				
	MIC 3P FI (NYLON) PLAIN		1			
	MIC 4P FI (NYLON) PLAIN			1		
	MIC 5P FI (NYLON) PLAIN				1	
	MIC 6P FI (NYLON) PLAIN					1
8	#22-1 BLU PVC WIRE UL1061	1				
	#22-1 GRN PVC WIRE UL1061		1	1	1	1
	#22-1 BRN PVC WIRE UL1061	1				
	#22-1 RED PVC WIRE UL1061			1	1	1
	#22-1 RED/WHT PVC WIRE UL1061		1	1	1	1
	#22-1 RED/BLK PVC WIRE UL1061		1	1	1	1
	#22-1 RED/BLU PVC WIRE UL1061					1
	#22-1 RED/YEL PVC WIRE UL1061				1	1

PART NUMBER	DESCRIPTION	FINISHED LENGTH
1200740014	7R2A00A19A120	12.0" +.75" -0 [0.3M +19.1MM -0]
1200740058	7R3A00A19A120	12.0" +.75" -0 [0.3M +19.1MM -0]
1200740122	7R4A00A19A120	12.0" +.75" -0 [0.3M +19.1MM -0]
1200740178	7R5A00A19A120	12.0" +.75" -0 [0.3M +19.1MM -0]
1200740232	7R6A00A19A120	12.0" +.75" -0 [0.3M +19.1MM -0]

ENTER DESCRIPTION EC NO: WNA2010-0078 DRAWN BY: NKUMAR01 CHKD: JFURPHY APPR: JFURPHY DATE: 2009/08/27 DATE: 2009/08/28	QUALITY SYMBOLS ▽=0 ▽=0	GENERAL TOLERANCES (UNLESS SPECIFIED) <table border="1"> <tr> <th></th> <th>mm</th> <th>INCH</th> </tr> <tr> <td>4 PLACES</td> <td>± .005</td> <td>± .0005</td> </tr> <tr> <td>3 PLACES</td> <td>± .004</td> <td>± .0004</td> </tr> <tr> <td>2 PLACES</td> <td>± .003</td> <td>± .0003</td> </tr> <tr> <td>1 PLACE</td> <td>± .002</td> <td>± .0002</td> </tr> </table>		mm	INCH	4 PLACES	± .005	± .0005	3 PLACES	± .004	± .0004	2 PLACES	± .003	± .0003	1 PLACE	± .002	± .0002	DIMENSION STYLE IN/MM DRAWN BY: NKUMAR01 DATE: 25/08/09 CHECKED BY: BWOODMAN DATE: 25/08/09 APPROVED BY: JFMURPHY DATE: 2009/08/27	SCALE: 2:1 DESIGN UNITS: INCH THIRD ANGLE PROJECTION	TITLE MIC 2P F/FR 12IN. 1/4NPT #22 P
		mm	INCH																	
	4 PLACES	± .005	± .0005																	
	3 PLACES	± .004	± .0004																	
2 PLACES	± .003	± .0003																		
1 PLACE	± .002	± .0002																		
MOLEX INCORPORATED	MATERIAL NO. SEE CHART DOCUMENT NO. SD-120074-014	SHEET NO. 2 OF 2																		
DRAFT WHERE APPLICABLE MUST REMAIN WITHIN DIMENSIONS			THIS DRAWING CONTAINS INFORMATION THAT IS PROPRIETARY TO MOLEX INCORPORATED AND SHOULD NOT BE USED WITHOUT WRITTEN PERMISSION																	
SIZE C																				

12 11 10 9 8 7 6 5 4 3 2 1

X-ON Electronics

Largest Supplier of Electrical and Electronic Components

Click to view similar products for [Specialised Cables](#) category:

Click to view products by [Molex](#) manufacturer:

Other Similar products are found below :

[603PT6](#) [603SS6L](#) [604PT6](#) [604SS6](#) [706000D02F200](#) [910640](#) [1200740077](#) [1200740114](#) [AC172](#) [ACL-SSI-4](#) [R88ACAKA0015SRE](#)
[R88ACAWL005SDE](#) [R88ACRGD0R3C](#) [1300150047](#) [1300660036](#) [1302262116](#) [1300150149](#) [1300220020](#) [1300220104](#) [1300220119](#)
[1301240492](#) [1301810221](#) [1365323-1](#) [176P12](#) [1971465-2](#) [20240400003](#) [20240400013](#) [2085828-1](#) [20886510030](#) [2-22733-8](#) [22733-8](#) [CB-](#)
[5PSBC-RS](#) [CB-704EC-RS](#) [CB-BATACC-RS](#) [CB-JST3PSW-RS](#) [CB-M12COM-R10](#) [25AC84](#) [25AK84X](#) [25AU25](#) [25FN82](#) [3011-03](#) [AC118](#)
[ACL-HHS-1M\(CAT5E\)](#) [SSL009PC2DC012N](#) [FC2A-KC6C](#) [2085828-2](#) [20886510150](#) [CCS-FCB-5](#) [CCSF CBF2](#) [R88A-CRWB020N](#)