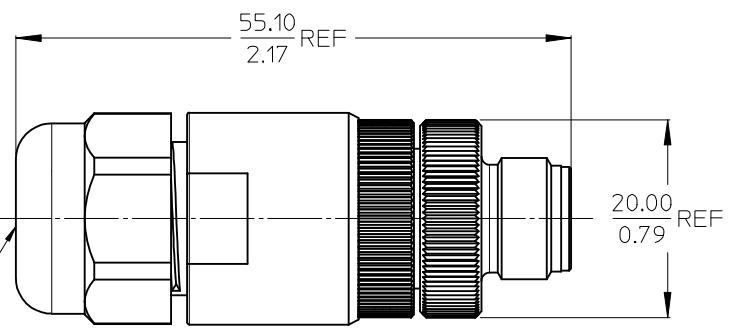


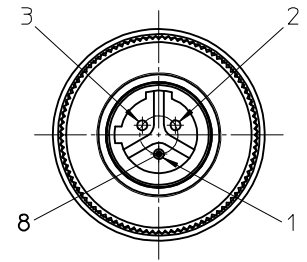
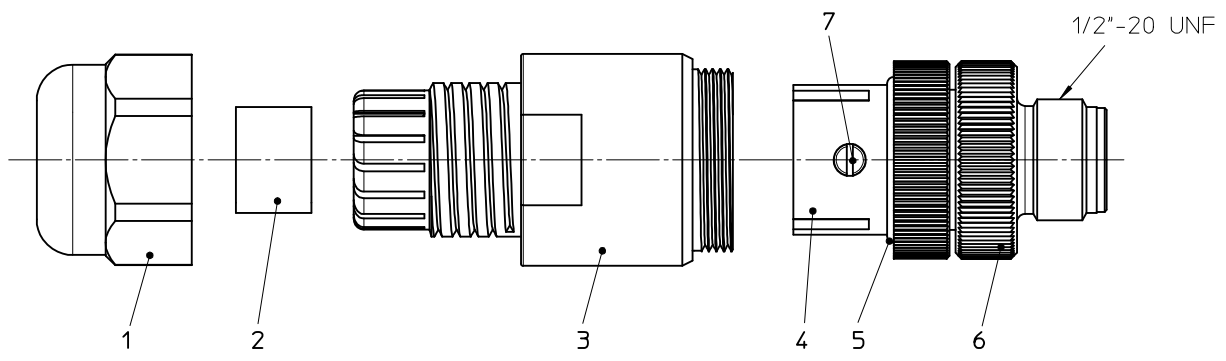
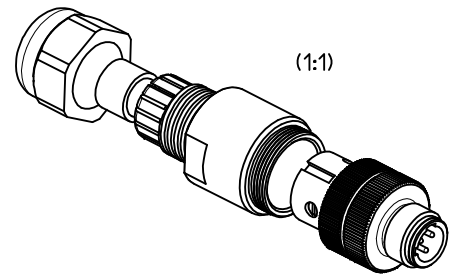
10 9 8 7 6 5 4 3 2 1



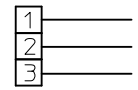
O.D. CABLE RANGE  
4.1-8.1/.16-.32

WIRING CHART

VOLTAGE RATING	250VAC/DC
AMPERAGE RATING	4 AMPS
PROTECTION	IP67
OPERATING TEMPERATURE	-40°C to 185°C



MALE FACE VIEW



ENG.-NO.: 7A3006-32

ITEM	QTY	COMPONENT	MATERIAL	FINISH
1	1	HUT NUT M12	PA6	BK
2	1	GROMMET	CR/NBR	BK
3	1	ENDSLEEVE	PA66	BK
4	1	INSERT	NYLON	BK
5	1	GASKET	NITRILE	BK
6	1	COUPLING NUT	BRASS	NI PLATED
7	3	SCREW	BRASS	ZN
8	3	CONTACT	COPPER ALLOY	AU PLATED

<b>ENTER DESCRIPTION</b> EC NO: IPG2013-0649 DRW:RSCHIEBER 2012/11/14 CHKD:APOHL 2012/11/14 APPR:CBURGER 2012/11/26	QUALITY SYMBOLS ▽=0 ◻=0	GENERAL TOLERANCES (UNLESS SPECIFIED)		DIMENSION STYLE MM/IN		SCALE 2:1	DESIGN UNITS METRIC	THIRD ANGLE PROJECTION	
		4 PLACES ± --- ± --- 3 PLACES ± --- ± --- 2 PLACES ± --- ± .01 1 PLACE ± 0.3 ± --- 0 PLACE ± --- ± ---	mm INCH ± --- ± --- ± --- ± .01 ± 0.3 ± --- ± --- ± ---	DRAWN BY RSCHIEBER	DATE 2012/11/14	TITLE FA M12 3P 2C MA STR PG9			
DRAFT WHERE APPLICABLE MUST REMAIN WITHIN DIMENSIONS		MATERIAL NO. 1200750018		APPROVED BY CBURGER		DATE 2012/11/26		DOCUMENT NO. SD-120075-008	
SIZE A3		THIS DRAWING CONTAINS INFORMATION THAT IS PROPRIETARY TO MOLEX INCORPORATED AND SHOULD NOT BE USED WITHOUT WRITTEN PERMISSION							

9 8 7 6 5 4 3 2 1

## X-ON Electronics

Largest Supplier of Electrical and Electronic Components

*Click to view similar products for [Circular Metric Connectors](#) category:*

*Click to view products by [Molex](#) manufacturer:*

Other Similar products are found below :

[600X518037X](#) [6STD15PCR99B70A](#) [8R4000A16M020](#) [8R5000A16M005](#) [1200910002](#) [1203580030](#) [1200910008](#) [1200910011](#) [1300140094](#)  
[130203-0054](#) [1300140026](#) [1300150099](#) [RF-12S1N8A90DU](#) [1-3637-600-5205](#) [1612618](#) [21036836414](#) [8R4006A16M010](#) [1R3006A20M005](#)  
[RF-12P1N8A90DU](#) [41-40011](#) [42-00006](#) [42-01015](#) [4-22279-4](#) [4-22281-1](#) [4-22284-9](#) [43-00113](#) [43-01088](#) [43-01203](#) [41-40013](#) [42-00008](#) [43-](#)  
[00343](#) [43-01026](#) [43-01162](#) [43-01173](#) [43-10000](#) [XS3P-M421-2](#) [600X518050X](#) [SACC-DSI-FS-5P-PG9-L180 SC](#) [8R5006A16M020](#)  
[8R5006A16M005](#) [8R4000A16M010](#) [6-22279-3](#) [1605332](#) [N03FA03144](#) [1300140077](#) [43-16213](#) [43-01338](#) [XS2RD4265](#) [XS2R-D426-1](#)  
[XS8A-0441](#)