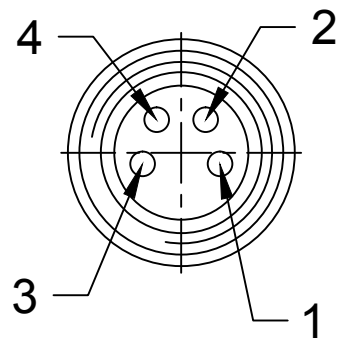
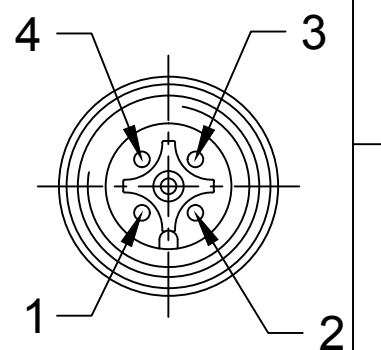


**FEMALE  
4 POLE**

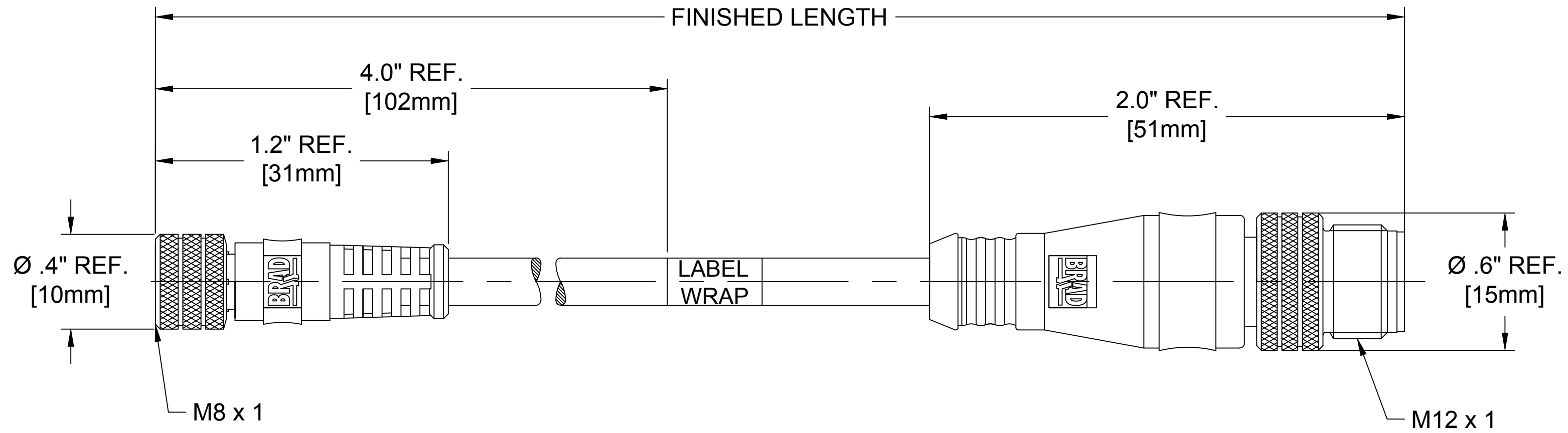


- 1 BROWN
- 2 WHITE
- 3 BLUE
- 4 BLACK

**MALE  
4 POLE**



- 1 BROWN
- 2 WHITE
- 3 BLUE
- 4 BLACK



**484030K05M050**

cable type  
4 x 0.34 mm<sup>2</sup>  
YELLOW TPE

cable length  
050----5 Meters  
500----50 Meters

**SPECIFICATION DATA**

COMPONENT	MATERIAL	FINISH
LABEL	MYLAR	BLACK/YELLOW
COUPLER	BRASS	NICKEL PLATED
CONTACT	COPPER ALLOY	Au OVER Ni
INSERT	PUR	BLACK
OVERMOLD	TPE	YELLOW
CABLE	TPE	YELLOW
VOLTAGE RATING:		60V AC/75V DC
AMPERAGE RATING:		4A
PROTECTION CLASS:		IP 67
OPERATING TEMPERATURE:		-40°C / 105°C

UPDATED MALE END VIEW EC NO: IPG2016-0921 DRWN: GGUSTAFS 2015/12/17 CH'KD: BARDEN 2016/01/20 APPR: BWOODMAN2013/12/02	QUALITY SYMBOL	GENERAL TOLERANCES (UNLESS SPECIFIED)	DIMENSION STYLE	SCALE	DESIGN UNITS	THIRD ANGLE PROJECTION
	▽=0 ▽=0	mm    INCH 4 PLACES ±--- ±--- 3 PLACES ±--- ±.005 2 PLACES ±.13 ±.010 1 PLACE ±.25 ±.020	IN/MM	NTS	INCH	
		ANGULAR ±1/2°	DRAWN BY DATE	TITLE		
		DRAFT WHERE APPLICABLE MUST REMAIN WITHIN DIMENSIONS	GGUSTAFS 2013/10/09	NANO CHANGE MIRCO CHANGE 4 POLE FEMALE/MALE ST/ST #22 TPE		
		CHECKED BY DATE	MOLEX INCORPORATED			
		BARDEN 2013/11/20	SD-120086-058			
		APPROVED BY DATE	SHEET NO.			
		BWOODMAN 2013/12/02	1 OF 1			
		MATERIAL NO.	THIS DRAWING CONTAINS INFORMATION THAT IS PROPRIETARY TO MOLEX INCORPORATED AND SHOULD NOT BE USED WITHOUT WRITTEN PERMISSION			
		SEE CHART				

## X-ON Electronics

Largest Supplier of Electrical and Electronic Components

*Click to view similar products for [Sensor Cables / Actuator Cables](#) category:*

*Click to view products by [Molex](#) manufacturer:*

Other Similar products are found below :

[60963](#) [60964](#) [703000D02F2002](#) [703001D02F0602](#) [703001D02F300](#) [704000D02F120](#) [773032K02F030](#) [802027107404-1](#) [802027213811-1](#)  
[804001A09M150](#) [805001A09M0502](#) [84914-0235](#) [84914-0237](#) [885030A09M020](#) [8R4J30E03C3003](#) [1200651332](#) [1200651713](#) [1200660844](#)  
[1200660845](#) [1200661173](#) [1200680071](#) [1200720053](#) [1200720081](#) [1200720099](#) [1200720217](#) [1200800231](#) [1200860125](#) [1200870123](#)  
[1200980102](#) [1200650267](#) [1200650298](#) [1200660183](#) [1200660782](#) [1200660849](#) [1200661295](#) [1200661297](#) [1200661342](#) [1200661343](#)  
[1200670080](#) [1200670220](#) [1200680331](#) [1200720252](#) [1200730184](#) [1200860344](#) [1200870359](#) [1200870643](#) [1200980008](#) [1200980031](#)  
[1210502211](#) [1210400542](#)