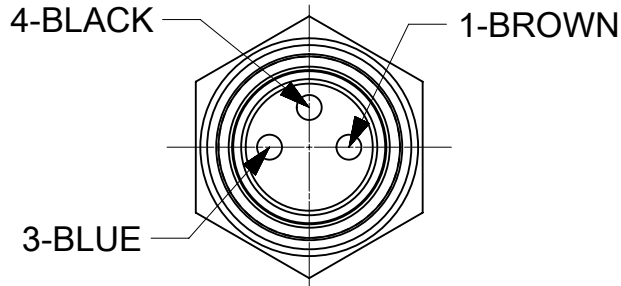
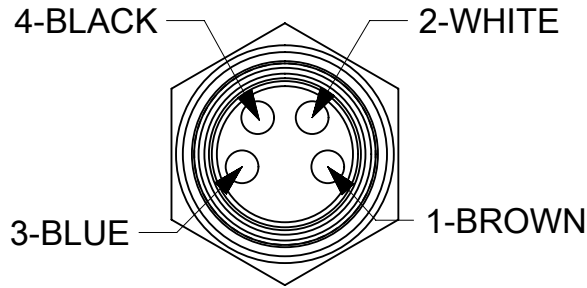


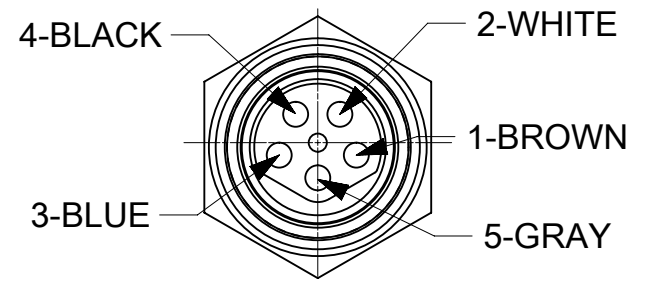
M8 3POLE
MALE



M8 4POLE
MALE



M8 5POLE
MALE

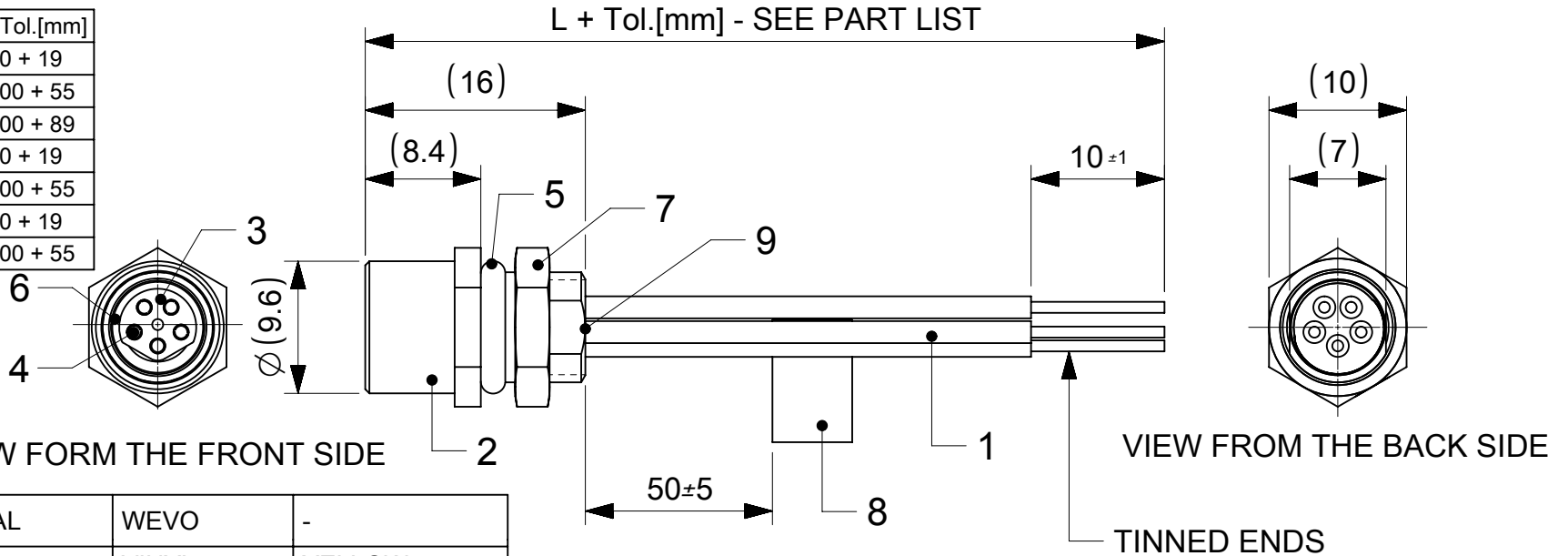


VIEWS FROM THE FRONT SIDE

PART LIST

MOLEX PN	ENGINEERING PN	L+Tol.[mm]
1200900016	4R3P00A27C300	300 + 19
1200900018	4R3P00A27M010	1000 + 55
1200900019	4R3P00A27M020	2000 + 89
1200900029	4R4P00A27C300	300 + 19
1200900031	4R4P00A27M010	1000 + 55
1200900037	4R5P00A27C300	300 + 19
1200900076	4R5P00A27M010	1000 + 55

L + Tol.[mm] - SEE PART LIST



VIEW FORM THE FRONT SIDE

VIEW FROM THE BACK SIDE

BOM

9	-	POTTING MATERIAL	WEVO	-
8	1	LABEL	VINYL	YELLOW
7	1	LOCKNUT M8X0.5	BRASS	NICKEL PLATED
6	1	GASKET	FKM	RED
5	1	O-RING	NBR	BLACK
4	3/4/5	CONTACT 10 FE	BRONZE	GOLD OVER NICKEL PLATED
3	1	INSERT M8 FE XP	ELASTOLLAN	BLACK
2	1	REC SHELL M8(FE)XM8(M)	BRASS	NICKEL PLATED
1	-	WIRES;24AWG;OD=1.43mm	PVC	-
ITEM	QTY	DESCRIPTION	MATERIAL	FINISH/COLOR

SYMBOLS		THIS DRAWING CONTAINS INFORMATION THAT IS PROPRIETARY TO MOLEX ELECTRONIC TECHNOLOGIES, LLC AND SHOULD NOT BE USED WITHOUT WRITTEN PERMISSION	
SYMBOL	VALUE	DIMENSION UNITS	SCALE
∇	= 0	mm	2:1
∇	= 0	GENERAL TOLERANCES (UNLESS SPECIFIED)	
∇	= 0	ANGULAR TOL \pm 1.0°	
∇	= 0	4 PLACES	\pm
∇	= 0	3 PLACES	\pm
∇	= 0	2 PLACES	\pm 0.05
∇	= 0	1 PLACE	\pm 0.3
∇	= 0	0 PLACES	\pm 0.5
∇	= 0	DRAFT WHERE APPLICABLE MUST REMAIN WITHIN DIMENSIONS	
∇	= 0	THIRD ANGLE PROJECTION	DRAWING
		SERIES	MATERIAL NUMBER
		CUSTOMER	SHEET NUMBER

CURRENT REV DESC:			
EC NO: 605345			
DRWN: MKOWALCZYK01	2018/10/02		
CHK'D: MIWASIECZKO	2018/10/03		
APPR: MIWASIECZKO	2018/10/03		
INITIAL REVISION:			
DRWN: MKOWALCZYK01	2018/10/02	DOCUMENT NUMBER	DOC TYPE
APPR: MIWASIECZKO	2018/10/03	1200908076	PSD
		DOC PART	REVISION
		000	A

molex	
NC XP F/FR XM M8 X 0.5	
PRODUCT CUSTOMER DRAWING	
DOCUMENT NUMBER	DOC TYPE
1200908076	PSD
CUSTOMER	SHEET NUMBER
GENERAL MARKET	1 OF 1

X-ON Electronics

Largest Supplier of Electrical and Electronic Components

Click to view similar products for [Sensor Cables / Actuator Cables](#) category:

Click to view products by [Molex](#) manufacturer:

Other Similar products are found below :

[60963](#) [60964](#) [703000D02F2002](#) [703001D02F0602](#) [703001D02F300](#) [704000D02F120](#) [773032K02F030](#) [802027107404-1](#) [802027213811-1](#)
[804001A09M150](#) [805001A09M0502](#) [84914-0235](#) [84914-0237](#) [885030A09M020](#) [8R4J30E03C3003](#) [1200651332](#) [1200651713](#) [1200660844](#)
[1200660845](#) [1200661173](#) [1200680071](#) [1200720053](#) [1200720081](#) [1200720099](#) [1200720217](#) [1200800231](#) [1200860125](#) [1200870123](#)
[1200980102](#) [1200650267](#) [1200650298](#) [1200660183](#) [1200660782](#) [1200660849](#) [1200661295](#) [1200661297](#) [1200661342](#) [1200661343](#)
[1200670080](#) [1200670220](#) [1200680331](#) [1200720252](#) [1200730184](#) [1200860344](#) [1200870359](#) [1200870643](#) [1200980008](#) [1200980031](#)
[1210502211](#) [1210400542](#)