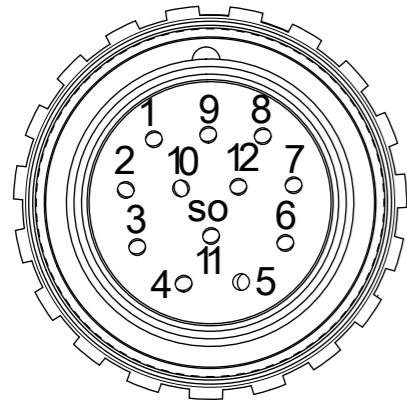


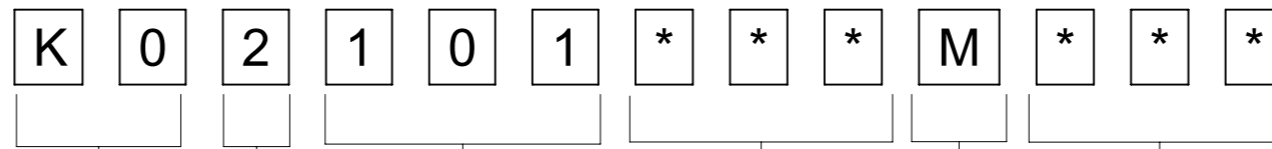
# M23 12P FEMALE VIEW FROM FRONT SIDE



B80-11	
PIN	COLOR
1	WH
2	GN
3	YE
4	GY
5	GY/PK
6	RD/BU
7	WH/GN
8	BR/GN
9	BU
10	
11	BN
12	GN/YE

P80-11	
PIN	COLOR
1	WH
2	GN
3	YE
4	GY
5	PK
6	RD
7	BK
8	VL
9	BU
10	
11	BN
12	GN/YE

## PART NO MATRIX



K0 = M23x1  
SINGLE ENDED

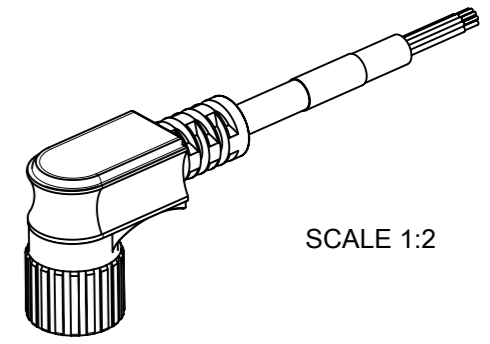
POLES:  
2 = 12 POLES

HEADER:  
101 = 11 WAY FEMALE RIGHT ANGLE

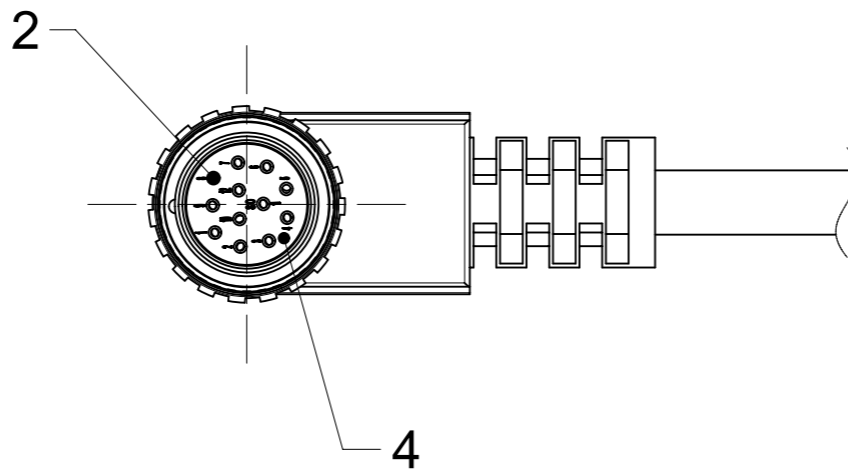
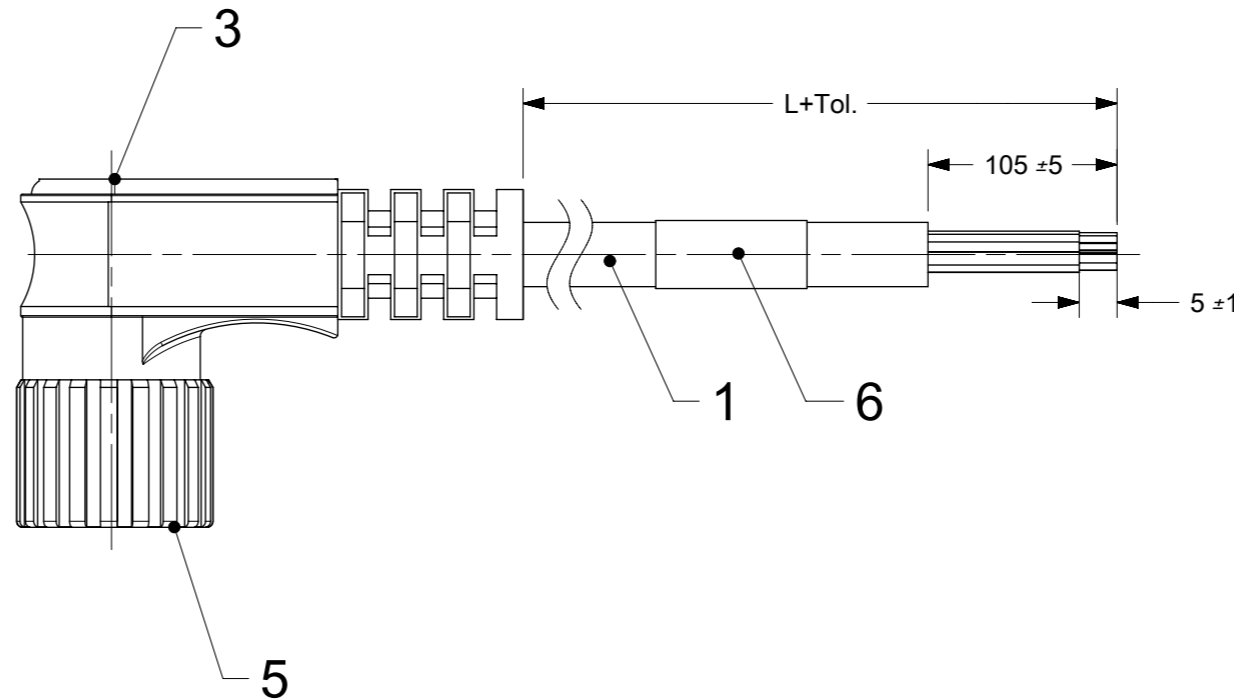
CABLE TYPE

UNIT:  
M = METER

LENGTH:  
EXAMPLE:  
010 = 1 m  
050 = 5 m  
100 = 10 m



SCALE 1:2



## BOM

ITEM No.	QTY	DESCRIPTION	MATERIAL	FINISH
6	1	LABEL	-	YELLOW
5	1	M23 FEMALE COUPLING NUT	BRASS	Ni-PLATED
4	1	M23 FEMALE INSERT 12P	TPU	BLACK
3	1	OVERMOULD	TPU	BLACK
2	12	CONTACTS FE	Bronze	Ni-PLATED
1	-	CABLE	SEE MATRIX	BLACK

THIS DRAWING CONTAINS INFORMATION THAT IS PROPRIETARY TO MOLEX ELECTRONIC TECHNOLOGIES, LLC AND SHOULD NOT BE USED WITHOUT WRITTEN PERMISSION		CURRENT REV DESC:			
DIMENSION UNITS: mm SCALE: 1:1	EC NO: 601426 DRWN: SSM 2018/07/12 CHK'D: SSM 2018/07/13 APPR: RSILLER 2018/07/13		CSE M23 12P SC FE RA WSOR XM SE		
GENERAL TOLERANCES (UNLESS SPECIFIED) ANGULAR TOL ± 1.0°		INITIAL REVISION: DRWN: MMAJGAT 2016/04/14 APPR: MIWASIECZKO 2016/08/02		PRODUCT CUSTOMER DRAWING	
4 PLACES ± 3 PLACES ± 2 PLACES ± 0.05 1 PLACE ± 0.3 0 PLACES ± 0.5		DRAFT WHERE APPLICABLE MUST REMAIN WITHIN DIMENSIONS		DOCUMENT NUMBER: 1200948148 DOC TYPE: PSD DOC PART: 00P REVISION: A2	
THIRD ANGLE PROJECTION		DRAWING: A3-SIZE SERIES: 120094		MATERIAL NUMBER: SEE SHEET 2 CUSTOMER: GENERAL MARKET SHEET NUMBER: 1 OF 2	

LENGTH	Tolerance
<=1m	+40mm
1-5m	+60mm
>5-10m	+80mm
>10m	+140mm
>20m	160mm
>30m	+1%

WIRING DIAGRAM FOR CABLE TYPE B80

- 1) White
- 2) Green
- 3) Yellow
- 4) Grey
- 5) Grey/Pink
- 6) Red/Blue
- 7) White/Green
- 8) Brown/Green
- 9) Blue
- 10) Blue
- 11) Brown
- 12) Green/Yellow

Contacts 9 and 10 connected the same wire.

WIRING DIAGRAM FOR CABLE TYPE P80

- 1) White
- 2) Green
- 3) Yellow
- 4) Grey
- 5) Pink
- 6) Red
- 7) Black
- 8) Violet
- 9) Blue
- 10) Blue
- 11) Brown
- 12) Green/Yellow

Contacts 9 and 10 connected the same wire.

PART LIST

Molex P/N	Engineering P/N	L[mm]
1200948148	K02101B80M010	1000
1200948149	K02101B80M050	5000
1200948150	K02101B80M100	10000
1200948151	K02101B80M150	15000
1200948152	K02101B80M200	20000
1200948153	K02101B80M300	30000
1200948140	K02101P80M010	1000
1200940124	K02101P80M050	5000
1200940125	K02101P80M100	10000
1200948038	K02101P80M150	15000
1200948058	K02101P80M200	20000
1200948059	K02101P80M300	30000

CABLE SPECIFICATION FOR CABLE TYPE B80:

CONDUCTOR A:

MATERIAL: BARE COPPER  
SECTION: 0.75mm<sup>2</sup>/19AWG  
STRANDING: 42X0.15mm

INSULATION A:

COMPOUND: TPE  
DIAMETER: 1.75±0.10mm

CONDUCTOR B:

MATERIAL: BARE COPPER  
SECTION: 0.34mm<sup>2</sup>/22AWG  
STRANDING: 42X0.10mm

INSULATION B:

COMPOUND: TPE  
DIAMETER: 1.30±0.10mm

JACKET:

COMPOUND: TPU  
COLOR: BLACK  
DIAMETER: 8.50±0.25mm  
TEMPERATURE RATING: -40°C TO +90°C  
VOLTAGE RATING: 600V

CABLE SPECIFICATION FOR CABLE TYPE P80 :

CONDUCTOR A:

MATERIAL: BARE COPPER  
SECTION: 0.75mm<sup>2</sup>/19AWG  
STRANDING: 42X0.15mm

INSULATION A:

COMPOUND: PVC  
DIAMETER: 2.10 ±0.10mm

CONDUCTOR B:

MATERIAL: BARE COPPER  
SECTION:- 0.34mm<sup>2</sup>/22AWG

INSULATION B:

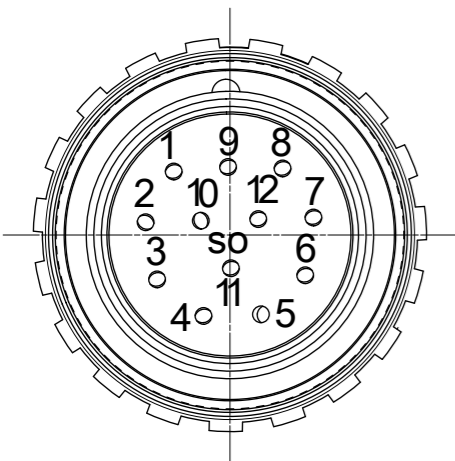
COMPOUND: PVC  
DIAMETER: 1.50 ±0.10mm

JACKET:

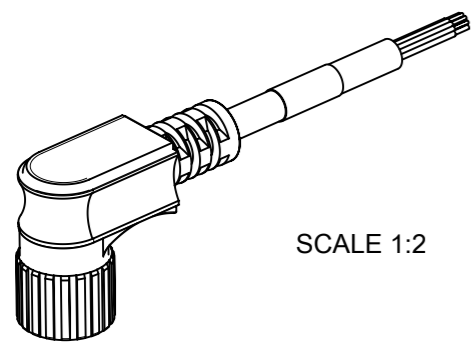
COMPOUND: BLEND PUR  
COLOR: BLACK  
DIAMETER: 9.50 ±0.20mm  
TEMPERATURE RANGE:  
STATIC: -40°C TO +90°C  
DINAMIC: -15°C TO +90°C  
VOLTAGE RATING: 300V

SYMBOLS	THIS DRAWING CONTAINS INFORMATION THAT IS PROPRIETARY TO MOLEX ELECTRONIC TECHNOLOGIES, LLC AND SHOULD NOT BE USED WITHOUT WRITTEN PERMISSION		CURRENT REV DESC:		<b>molex</b>	
	DIMENSION UNITS	SCALE				
	mm	1:1				
	GENERAL TOLERANCES (UNLESS SPECIFIED)					
▽ = 0	ANGULAR TOL	±	1.0 °	EC NO: 601426	CSE M23 12P SC FE RA WSOR XM SE	
▽ = 0	4 PLACES	±		DRWN: SSM 2018/07/12		
▽ = 0	3 PLACES	±		CHK'D: SSM 2018/07/13		
▽ = 0	2 PLACES	±	0.05	APPR: RSILLER 2018/07/13	PRODUCT CUSTOMER DRAWING	
▽ = 0	1 PLACE	±	0.3	INITIAL REVISION:	DOCUMENT NUMBER	
▽ = 0	0 PLACES	±	0.5	DRWN: MMAJGAT 2016/04/14	1200948148	
■ = 0	DRAFT WHERE APPLICABLE MUST REMAIN WITHIN DIMENSIONS		THIRD ANGLE PROJECTION	DRAWING	SERIES	DOC TYPE
▽ = 0				A3-SIZE	120094	DOC PART
				MATERIAL NUMBER	CUSTOMER	REVISION
				SEE PART LIST	GENERAL MARKET	A2
						SHEET NUMBER
						2 OF 2

# M23 12P FEMALE VIEW FROM FRONT SIDE

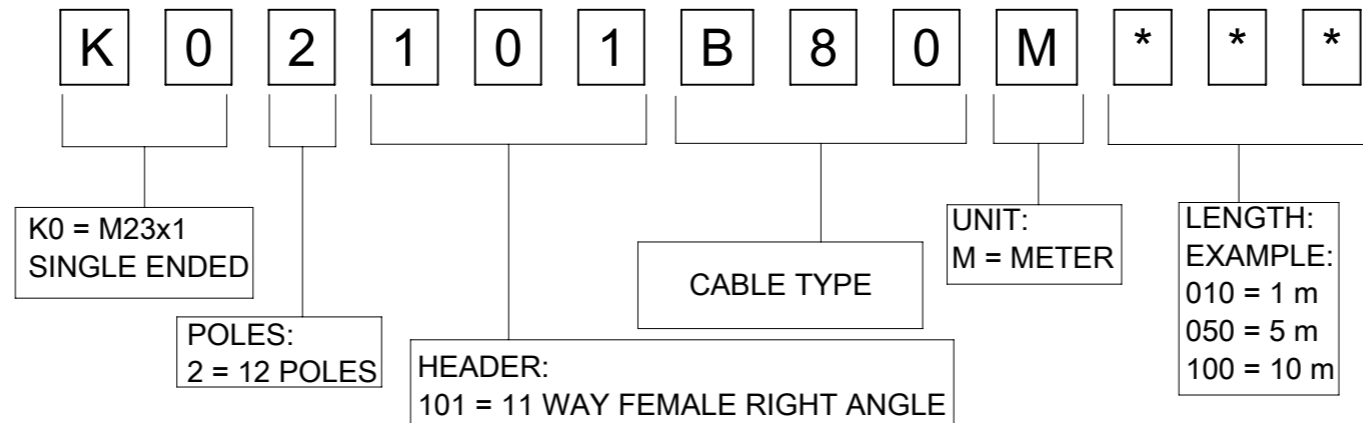


B80-11	
PIN	COLOR
1	WH
2	GN
3	YE
4	GY
5	PK
6	RD
7	BK
8	VT
9	BU
10	BU
11	BN
12	GN/YE



SCALE 1:2

## PART NO MATRIX



## CABLE SPECIFICATION :

**CONDUCTOR A:**  
 MATERIAL: BARE COPPER  
 SECTION: 0.75mm<sup>2</sup>/19AWG  
 STRANDING: 42X0.15mm

**INSULATION A:**  
 COMPOUND: TPE  
 DIAMETER: 1.75±0.10mm

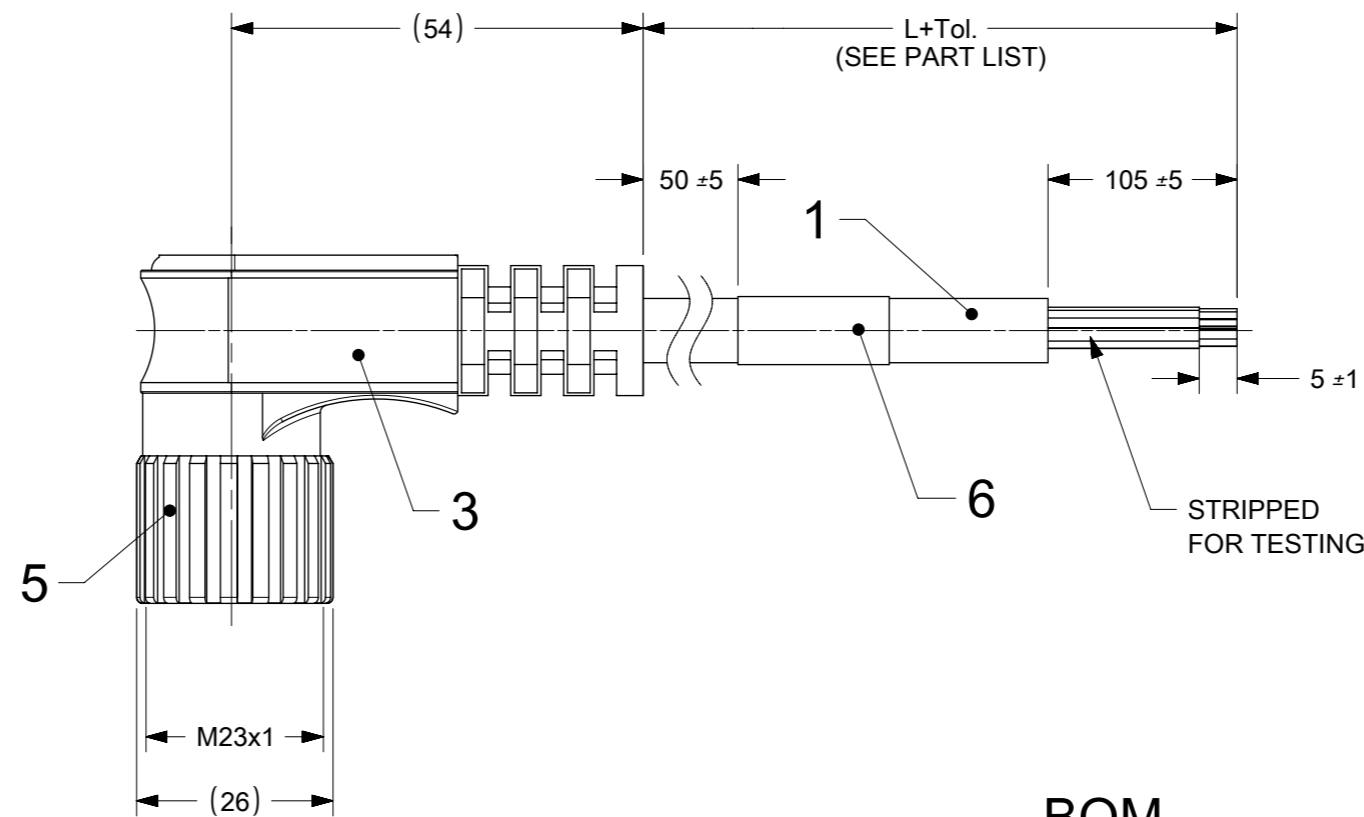
**CONDUCTOR B:**  
 MATERIAL: BARE COPPER  
 SECTION: 0.34mm<sup>2</sup>/22AWG  
 STRANDING: 42X0.10mm

**INSULATION B:**  
 COMPOUND: TPE  
 DIAMETER: 1.30±0.10mm

**JACKET:**  
 COMPOUND: TPU  
 COLOR: BLACK  
 DIAMETER: 8.50±0.25mm  
 TEMPERATURE RATING: -40°C TO +90°C  
 VOLTAGE RATING: 600V

## CONNECTOR SPECIFICATION:

VOLTAGE RATING : 63V AC/DC  
 AMPERAGE RATING : 6 AMPS  
 PROTECTION CLASS : IP67  
 OPERATING TEMPERATURE : -25°C TO 90°C



## PART LIST

Molex P/N	Engineering P/N	L+Tol.(mm)
1200948148	K02101B80M010	1000+40
1200948149	K02101B80M050	5000+60
1200948150	K02101B80M100	10000+80
1200948151	K02101B80M150	15000+140
1200948152	K02101B80M200	20000+140
1200948153	K02101B80M300	30000+160

## BOM

ITEM No.	QTY	DESCRIPTION	MATERIAL	FINISH
6	1	LABEL	-	YELLOW
5	1	M23 FEMALE COUPLING NUT	BRASS	Ni-PLATED
4	1	M23 FEMALE INSERT 12P	TPU	BLACK
3	1	OVERMOULD	TPU	BLACK
2	12	CONTACTS FE	Bronze	Ni-PLATED
1	-	CABLE	SEE MATRIX	BLACK

<b>SYMBOLS</b> THIS DRAWING CONTAINS INFORMATION THAT IS PROPRIETARY TO MOLEX ELECTRONIC TECHNOLOGIES, LLC AND SHOULD NOT BE USED WITHOUT WRITTEN PERMISSION DIMENSION UNITS: mm SCALE: 1:1 GENERAL TOLERANCES (UNLESS SPECIFIED): ANGULAR TOL ± 1.0° 4 PLACES ± 3 PLACES ± 2 PLACES ± 0.05 1 PLACE ± 0.3 0 PLACES ± 0.5 DRAFT WHERE APPLICABLE MUST REMAIN WITHIN DIMENSIONS THIRD ANGLE PROJECTION	CURRENT REV DESC: LABEL DIM CORRECTED / L+TOL. DIM CORRECTED( AS PER BXX CABLE MEASURING STANDARD) TOL. UPDATED IN PART LIST EC NO: 618872 DRWN: SSM 2019/06/11 CHK'D: RSILLER 2019/06/11 APPR: RSILLER 2019/06/11		 CSE M23 12P SC FE RA WSOR XM SE		
	INITIAL REVISION: DRWN: SSM 2019/01/09 APPR: RSILLER 2019/04/15				
	DRAWING: A3-SIZE SERIES: 120094		MATERIAL NUMBER: SEE PART LIST CUSTOMER: GENERAL MARKET SHEET NUMBER: 1 OF 1		

## X-ON Electronics

Largest Supplier of Electrical and Electronic Components

*Click to view similar products for [Sensor Cables / Actuator Cables](#) category:*

*Click to view products by [Molex](#) manufacturer:*

Other Similar products are found below :

[60963](#) [60964](#) [703000D02F2002](#) [703001D02F0602](#) [703001D02F300](#) [704000D02F120](#) [773032K02F030](#) [802027107404-1](#) [802027213811-1](#)  
[804001A09M150](#) [805001A09M0502](#) [84914-0235](#) [84914-0237](#) [885030A09M020](#) [8R4J30E03C3003](#) [1200651332](#) [1200651713](#) [1200660844](#)  
[1200660845](#) [1200661173](#) [1200680071](#) [1200720053](#) [1200720081](#) [1200720099](#) [1200720217](#) [1200800231](#) [1200860125](#) [1200870123](#)  
[1200980102](#) [1200650267](#) [1200650298](#) [1200660183](#) [1200660782](#) [1200660849](#) [1200661295](#) [1200661297](#) [1200661342](#) [1200661343](#)  
[1200670080](#) [1200670220](#) [1200680331](#) [1200720252](#) [1200730184](#) [1200860344](#) [1200870359](#) [1200870643](#) [1200980008](#) [1200980031](#)  
[1210502211](#) [1210400542](#)