

6

5

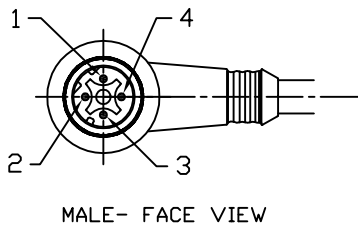
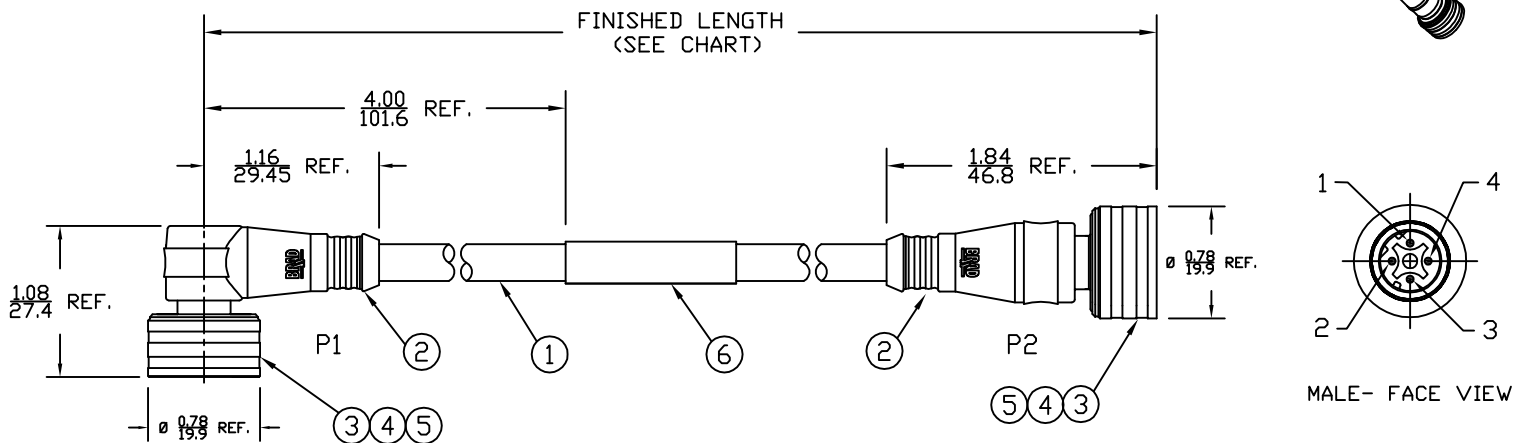
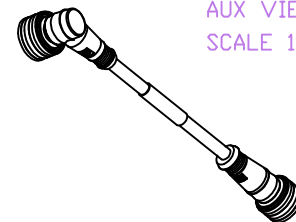
4

3

2

1

| PART NUMBER | ENGINEERING NO. | LENGTH ± TOLERANCE |
|-------------|-----------------|--------------------------------------|
| 1201080074 | EWWA06203M010 | 3' 3" +2.19'/-0' [1M +55.6/-0 mm] |
| 1201080076 | EWWA06203M050 | 16' 4" +6.5'/-0' [5M +165.0/-0 mm] |



| P1 | | P2 | |
|----|------------|----|--|
| 1 | ORANGE | 1 | |
| 2 | BLUE | 2 | |
| 3 | DRG/WHITE | 3 | |
| 4 | BLUE/WHITE | 4 | |

WIRING DIAGRAM

NOTES:

- 1) MATERIAL: SEE TABLE
- 2) FINISHES: SEE TABLE
- 3) CABLE: #24/4 UNSHIELDED PVC
- 4) ELECTRICAL DATA:
ACCORDING TO CAT5e ETHERNET STANDARD
MAX. VOLTAGE: 30V
MAX. CURRENT 1.5A
- 5) ENVIRONMENTAL:
PROTECTION IP67
TEMPERATURE RANGE: -20°C TO 75°C
- 6) WRAP LABEL IS MARKED WITH P/N, DATE CODE,
VOLTAGE & AMPERAGE.
- 7) ASSEMBLY IS RoHS COMPLIANT.

| ITEM | QTY. | DESCRIPTION | MATERIAL | FINISH |
|------|------|--------------------------|--------------|--------------|
| 6 | 1 | LABEL | PLASTIC FILM | BLACK/YELLOW |
| 5 | 2 | INSERT | PUR | BLACK |
| 4 | 8 | PIN CONTACT | COPPER ALLOY | GOLD PLATED |
| 3 | 2 | M12 ULTRA-LOCK HEAD ASSY | BRASS | NICKEL |
| 2 | 2 | OVERMOLD | PUR | BLACK |
| 1 | 1 | ETHERNET CABLE-CAT5E | PVC JACKET | TEAL |

| | | | | | | | |
|---|-----------------|---------------------------------------|-------------|-----------------|---|---|------------------------|
| SD RELEASE EC NO: MEL2010-0005 DRWN: VOU CHKD: BWOODMAN APPR: JFMURPHY 2009/07/20 | QUALITY SYMBOLS | GENERAL TOLERANCES (UNLESS SPECIFIED) | | DIMENSION STYLE | SCALE | DESIGN UNITS | THIRD ANGLE PROJECTION |
| | ▽=0 ∇=0 | mm | INCH | IN/MM | 3:4 | INCH | |
| | | 4 PLACES ±---- | ±.005 | DRAWN BY | DATE | TITLE | |
| | | 3 PLACES ±---- | ±.010 | VOU | 2009/07/07 | M12 ULTRA-LOCK CABLE ASSY 4P M/MP ST/90 D-CODE #24/4 UNSHIELDED PVC | |
| | 2 PLACES ±---- | ±.020 | CHECKED BY | DATE | MOLEX INCORPORATED | | |
| | 1 PLACE ±---- | | BWOODMAN | 2009/07/31 | DOCUMENT NO. | | |
| | | | APPROVED BY | DATE | SD-120108-007 | | |
| | | | | | SHEET NO. | | |
| | | | | | 1 OF 1 | | |
| | | | | | THIS DRAWING CONTAINS INFORMATION THAT IS PROPRIETARY TO MOLEX INCORPORATED AND SHOULD NOT BE USED WITHOUT WRITTEN PERMISSION | | |

DRAFT WHERE APPLICABLE MUST REMAIN WITHIN DIMENSIONS

SEE CHART

6

5

4

3

2

1

E

E

D

D

C

C

B

B

A

A

X-ON Electronics

Largest Supplier of Electrical and Electronic Components

Click to view similar products for [Sensor Cables / Actuator Cables](#) category:

Click to view products by [Molex](#) manufacturer:

Other Similar products are found below :

[60963](#) [60964](#) [703000D02F2002](#) [703001D02F0602](#) [703001D02F300](#) [704000D02F120](#) [773032K02F030](#) [802027107404-1](#) [802027213811-1](#)
[804001A09M150](#) [805001A09M0502](#) [84914-0235](#) [84914-0237](#) [885030A09M020](#) [8R4J30E03C3003](#) [1200651332](#) [1200651713](#) [1200660844](#)
[1200660845](#) [1200661173](#) [1200680071](#) [1200720053](#) [1200720081](#) [1200720099](#) [1200720217](#) [1200800231](#) [1200860125](#) [1200870123](#)
[1200980102](#) [1200650267](#) [1200650298](#) [1200660183](#) [1200660782](#) [1200660849](#) [1200661295](#) [1200661297](#) [1200661342](#) [1200661343](#)
[1200670080](#) [1200670220](#) [1200680331](#) [1200720252](#) [1200730184](#) [1200860344](#) [1200870359](#) [1200870643](#) [1200980008](#) [1200980031](#)
[1210502211](#) [1210400542](#)