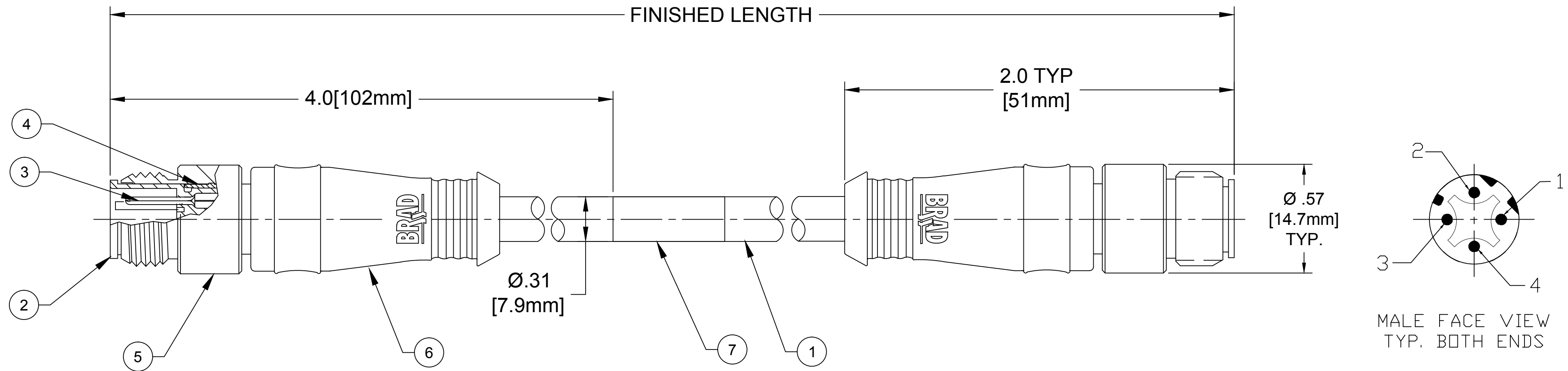


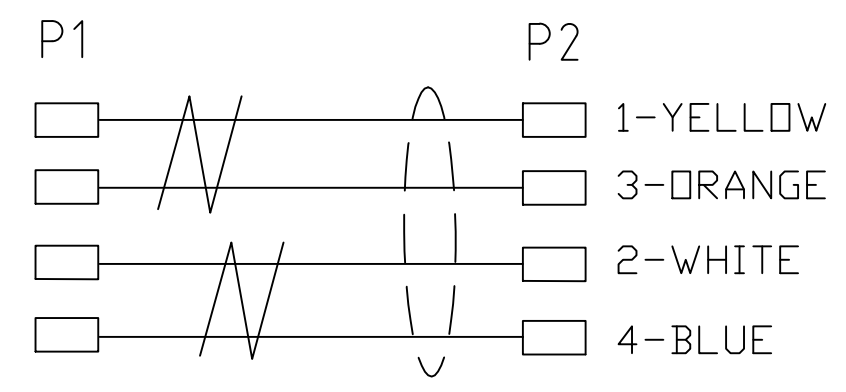
PART NO.	ENGINEERING NO.	FINISHED LENGTH
1201080565	E11A06017M005	0.5M [19.7"]
1201080566	E11A06017M010	1.0M [3'3"]
1201080573	E11A06017M100	10.0M [32'10"]

(B) CABLE LENGTH TOLERANCES

>.3M [1FT]: +19mm-0 [+ .75in-0]
 .3 - .9M [1 - 3FT]: +44.5mm-0 [+1.75in-0]
 .9 - 1.8M [3 - 6FT]: +55.6mm-0 [+2.19in-0]
 1.8 - 3.7M [6 - 12FT]: +88.9mm-0 [+3.50in-0]
 3.7 - 7.3M [12 - 24FT]: +165.1mm-0 [+6.50in-0]
 7.3-14.6M [24 - 48FT]: +317.5mm-0 [+12.50in-0]
 14.6 - 30.5M [48-100FT]: +622.3mm-0 [+24.50in-0]
 OVER 30M [100FT] +2% OF FINISHED LENGTH



- (B) NOTES:**
- MATERIAL: AS NOTED
 - FINISH: AS NOTED
 - ELECTRICAL:
VOLTAGE: 30V
CURRENT: 1.5A
 - TEMP RATING: -20° TO +80°C
 - PROTECTION: IP67 (WHEN MATED)
 - COUPLING THREAD: M12 X 1
 - UL CERTIFIED FILE: E200650
 - ALL DIMS ARE FOR REFERENCE UNLESS NOTED OTHERWISE



(B) WIRING DIAGRAM

(B) PART NUMBER LEGEND

E11A06017M005

FINISHED LENGTH:
 M005= 0.5 METER
 M010= 1 METER
 M100= 10 METER

REF. THIS DRAWING SUPERSEDES CO-CREATE DOC SD-120108-091 REV-A

ITEM	DESCRIPTION	MATERIAL	FINISH
7	WRAP LABEL	VINYL	BLACK/YELLOW
6	OVERMOLD	PBT	GRAY
5	COUPLING NUT	BRASS	NICKEL PLATED
4	SHIELD HOUSING	BRASS	NICKEL PLATED
3	CONTACT PIN	COPPER ALLOY	GOLD PLATED
2	MALE INSERT, D-CODE	PUR	BLACK
1	CABLE, 2 PAIR, 26AWG, SHLD	TPE JACKET	GREEN

REV	DESCRIPTION
B	REV'D PER LATEST DOC STD. EC NO: IPG2019-0171 DRWN: RSTONE 2018/10/15 CHKD: C CHRAST 2018/10/22 APPR: BWOODMAN2018/11/05

QUALITY SYMBOL	VALUE
	=0
	=0

	GENERAL TOLERANCES (UNLESS SPECIFIED)	
	mm	INCH
4 PLACES	±---	±---
3 PLACES	±---	±---
2 PLACES	±---	±---
1 PLACE	±---	±---
ANGULAR ±---°		
DRAFT WHERE APPLICABLE MUST REMAIN WITHIN DIMENSIONS		

DIMENSION STYLE	
IN/MM	
DRAWN BY	DATE
RSTONE	2018/10/15
CHECKED BY	DATE
C CHRAST	2018/10/22
APPROVED BY	DATE
BWOODMAN	2018/11/05
MATERIAL NO.	
SEE P/N CHART	
SIZE	C

SCALE	DESIGN UNITS	THIRD ANGLE PROJECTION	
---	INCH		
M12 D-CODE CABLE ASSY PROFI-NET MALE/MALE			

MOLEX INCORPORATED		SHEET NO. 1 OF 1	
DOCUMENT NO. SD-120108-091		THIS DRAWING CONTAINS INFORMATION THAT IS PROPRIETARY TO MOLEX INCORPORATED AND SHOULD NOT BE USED WITHOUT WRITTEN PERMISSION	

X-ON Electronics

Largest Supplier of Electrical and Electronic Components

Click to view similar products for [Sensor Cables / Actuator Cables](#) category:

Click to view products by [Molex](#) manufacturer:

Other Similar products are found below :

[60963](#) [60964](#) [703000D02F2002](#) [703001D02F0602](#) [703001D02F300](#) [704000D02F120](#) [773032K02F030](#) [802027107404-1](#) [802027213811-1](#)
[804001A09M150](#) [805001A09M0502](#) [84914-0235](#) [84914-0237](#) [885030A09M020](#) [8R4J30E03C3003](#) [1200651332](#) [1200651713](#) [1200660844](#)
[1200660845](#) [1200661173](#) [1200680071](#) [1200720053](#) [1200720081](#) [1200720099](#) [1200720217](#) [1200800231](#) [1200860125](#) [1200870123](#)
[1200980102](#) [1200650267](#) [1200650298](#) [1200660183](#) [1200660782](#) [1200660849](#) [1200661295](#) [1200661297](#) [1200661342](#) [1200661343](#)
[1200670080](#) [1200670220](#) [1200680331](#) [1200720252](#) [1200730184](#) [1200860344](#) [1200870359](#) [1200870643](#) [1200980008](#) [1200980031](#)
[1210502211](#) [1210400542](#)