

PART NO.	ENGINEERING NO.	FINISHED LENGTH
1201080574	E16A06017M005	0.5M [19.7"]
1201080575	E16A06017M010	1.0M [3'3"]
1201080661	E16A06017M100	10.0M [32'10"]

**CABLE LENGTH TOLERANCES**

>.3M [1FT]: +19mm-0 [+0.75in-0]

.3 - .9M [1 - 3FT]: +44.5mm-0 [+1.75in-0]

.9 - 1.8M [3 - 6FT]: +55.6mm-0 [+2.19in-0]

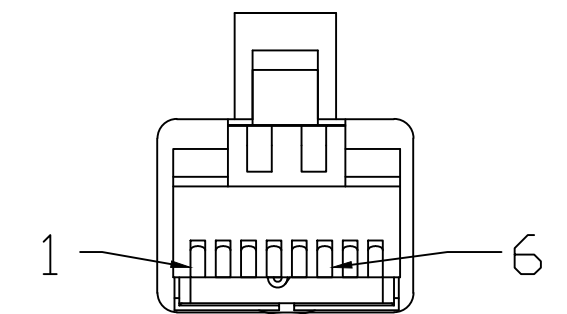
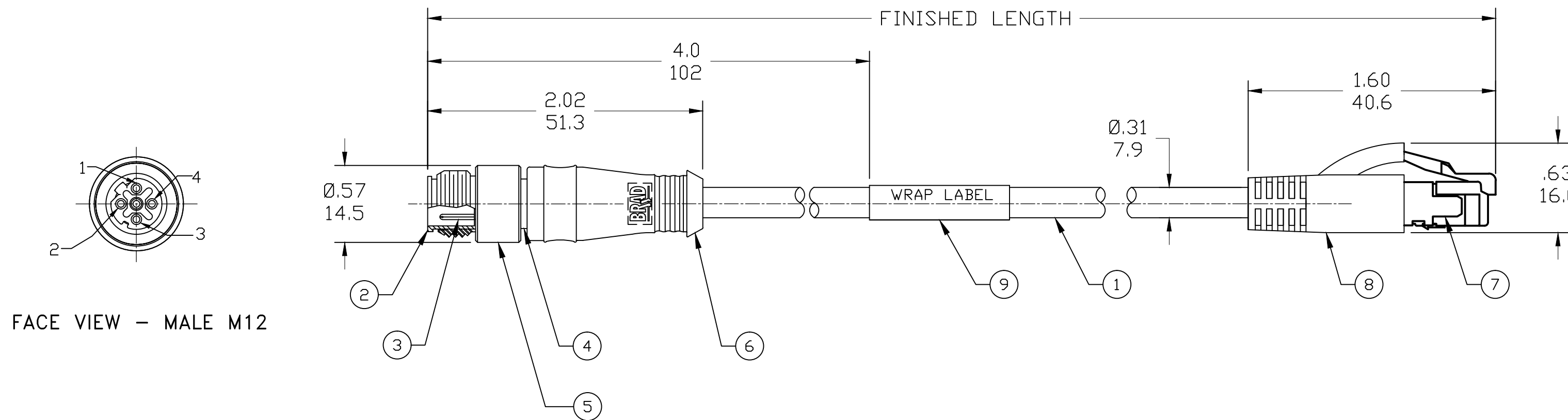
1.8 - 3.7M [6 - 12FT]: +88.9mm-0 [+3.50in-0]

3.7 - 7.3M [12 - 24FT]: +165.1mm-0 [+6.50in-0]

7.3-14.6M [24 - 48FT]: +317.5mm-0 [+12.50in-0]

14.6 - 30.5M [48-100FT]: +622.3mm-0 [+24.50in-0]

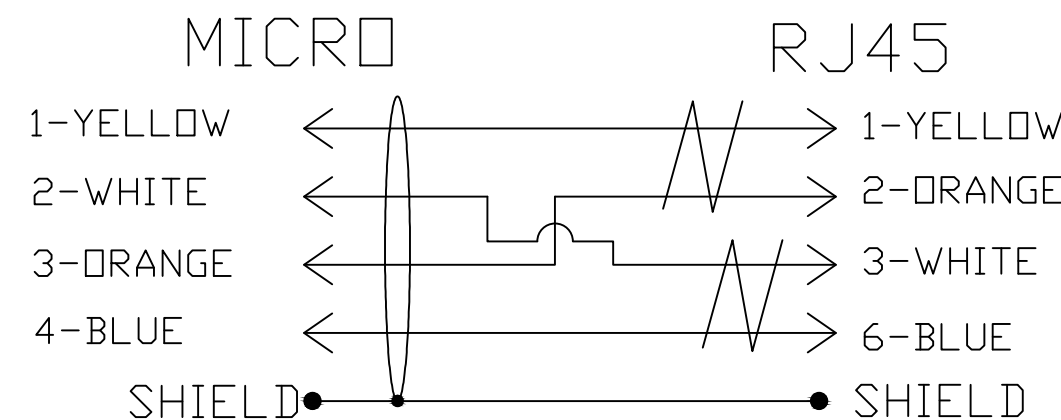
OVER 30M [100FT] +2% OF FINISHED LENGTH



FACE VIEW - MALE RJ45  
SCALE: 2X

FACE VIEW - MALE M12

- NOTES:**
- MATERIAL: AS NOTED
  - FINISH: AS NOTED
  - ELECTRICAL:  
VOLTAGE: 125V  
CURRENT: 1.5A
  - TEMP RATING: -20° TO +75°C
  - PROTECTION: IP67 (WHEN MATED)
  - COUPLING THREAD: M12 X 1
  - UL CERTIFIED FILE: E200650
  - ALL DIMS ARE FOR REFERENCE UNLESS NOTED OTHERWISE



WIRING DIAGRAM

**PART NUMBER LEGEND**

E16A06017M005

FINISHED LENGTH:  
M005= 0.5 METER  
M010= 1 METER  
M100= 10 METER

REF. THIS DRAWING SUPERSEDES CO-CREATE DRAWING SD-120108-091 REV-B

ITEM	DESCRIPTION	MATERIAL	FINISH
9	WRAP LABEL	VINYL	BLACK/YELLOW
8	RJ-45 BOOT	PVC	BLACK
7	RJ-45 PLUG	POLYCARBONATE	CLEAR
6	OVERMOLD	PBT	GRAY
5	COUPLING NUT	BRASS	NICKEL PLATED
4	SHIELD HOUSING	BRASS	NICKEL PLATED
3	CONTACT PIN	COPPER ALLOY	GOLD PLATED
2	MALE INSERT, D-CODE	PUR	BLACK
1	CABLE, 2 PAIR, 22AWG, SHLD	TPE JACKET	GREEN

REV	DESCRIPTION	QUALITY SYMBOL	GENERAL TOLERANCES (UNLESS SPECIFIED)		DIMENSION STYLE		SCALE	DESIGN UNITS	THIRD ANGLE PROJECTION
			mm	INCH	IN/MM	NTS	INCH		
C	REVISED PER LATEST STD EC NO: IPG2019-0171 DRWN: RSTONE 2018/10/15 CHKD: C CHRAST 2018/10/22 APPR: BWOODMAN	▽=0 ∇=0	4 PLACES	±---	±---	DRAWN BY RSTONE	DATE 2018/10/15	TITLE M12 TO RJ45 CORDSET 4P MALE M12/RJ45 ST PROFI-NET	MOLEX INCORPORATED
			3 PLACES	±---	±---	CHECKED BY C CHRAST	DATE ----	MOLEX INCORPORATED	
			2 PLACES	±---	±---	APPROVED BY ----	DATE ----	MOLEX INCORPORATED	
			1 PLACE	±---	±---	ANGULAR ±---°		MOLEX INCORPORATED	
			DRAFT WHERE APPLICABLE MUST REMAIN WITHIN DIMENSIONS			MATERIAL NO. SEE P/N CHART		DOCUMENT NO. SD-120108-092	SHEET NO. 1 OF 1
			THIS DRAWING CONTAINS INFORMATION THAT IS PROPRIETARY TO MOLEX INCORPORATED AND SHOULD NOT BE USED WITHOUT WRITTEN PERMISSION						

## X-ON Electronics

Largest Supplier of Electrical and Electronic Components

*Click to view similar products for [Ethernet Cables / Networking Cables](#) category:*

*Click to view products by [Molex](#) manufacturer:*

Other Similar products are found below :

[73-6670-7](#) [73-6680-15](#) [73-7797-25](#) [MCJB2-10P6Q7-120](#) [84909-0204](#) [1200700174](#) [1200860368](#) [E16A06002M030](#) [E200102-009-S1](#)  
[AX105346-EW](#) [MT14-187L](#) [17-103530](#) [ERWPAB3002M005](#) [190-038045-01](#) [NK5EPC18RDY](#) [NK5EPC18VLY](#) [NK5EPC18YLY](#)  
[NK5EPC1GRY](#) [NK5EPC4Y](#) [NK5EPC6YLY](#) [NK5EPC8BLY](#) [NK5EPC9YLY](#) [1969343-6](#) [C501100010](#) [C501106002](#) [C501106007](#)  
[C501106015](#) [C501106025](#) [C601102010](#) [C601104010](#) [C601106007](#) [C601106015](#) [2142758-2](#) [2168427-2](#) [CAT1106007](#) [21949-1](#) [2J1866A](#)  
[RJF SFTP 5E 0500](#) [AX100351](#) [MN14CEC/ST](#) [C501100015](#) [C501106004](#) [C501106010](#) [C5F1108007](#) [C601104004](#) [C601106004](#)  
[CA21106004](#) [CA21106010](#) [CA21106015](#) [CA21109007](#)