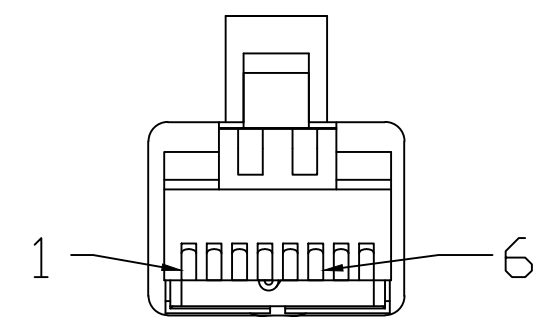
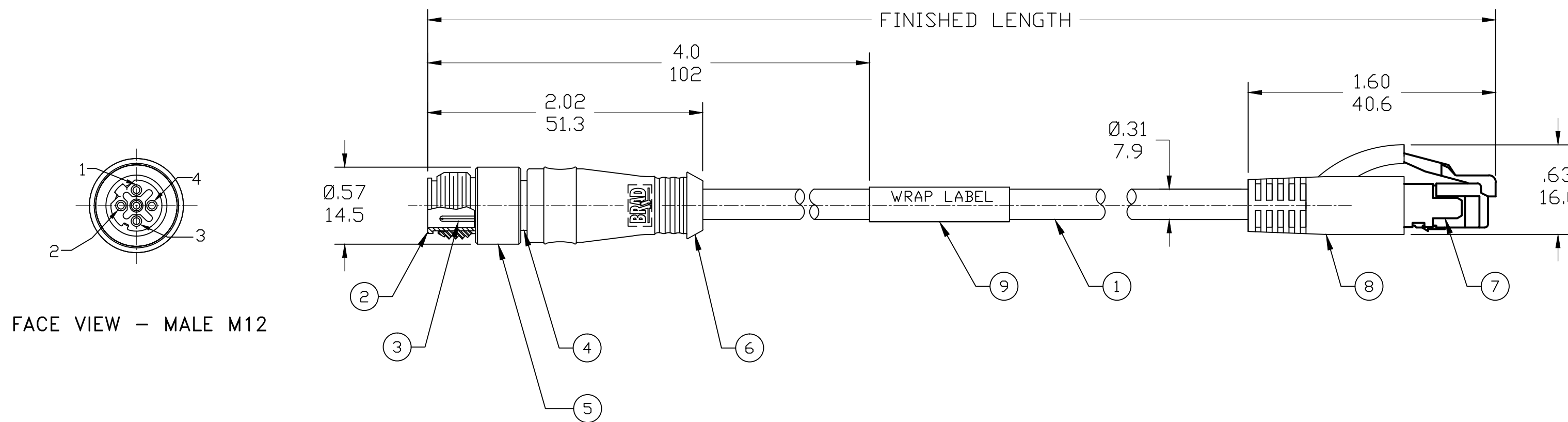


| PART NO. | ENGINEERING NO. | FINISHED LENGTH |
|------------|-----------------|-----------------|
| 1201080574 | E16A06017M005 | 0.5M [19.7"] |
| 1201080575 | E16A06017M010 | 1.0M [3'3"] |
| 1201080661 | E16A06017M100 | 10.0M [32'10"] |

CABLE LENGTH TOLERANCES

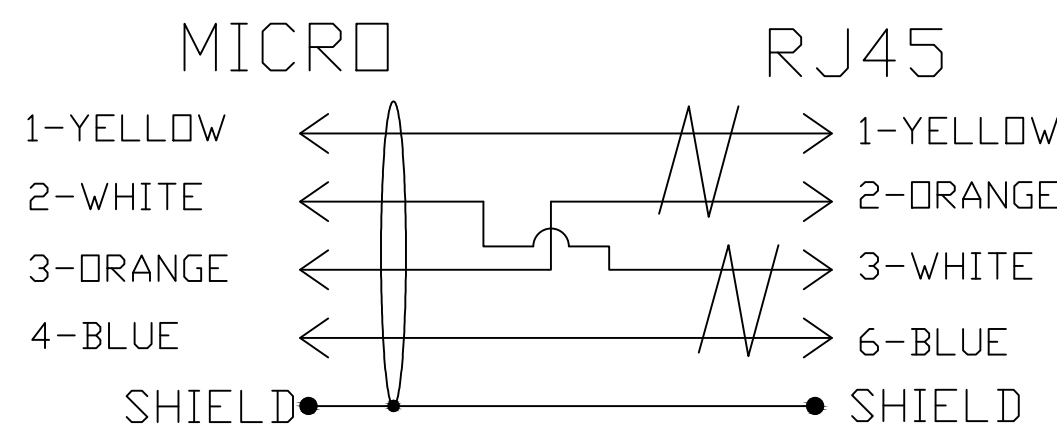
>.3M [1FT]: +19mm-0 [+1.75in-0]
 .3 - .9M [1 - 3FT]: +44.5mm-0 [+1.75in-0]
 .9 - 1.8M [3 - 6FT]: +55.6mm-0 [+2.19in-0]
 1.8 - 3.7M [6 - 12FT]: +88.9mm-0 [+3.50in-0]
 3.7 - 7.3M [12 - 24FT]: +165.1mm-0 [+6.50in-0]
 7.3-14.6M [24 - 48FT]: +317.5mm-0 [+12.50in-0]
 14.6 - 30.5M [48-100FT]: +622.3mm-0 [+24.50in-0]
 OVER 30M [100FT] +2% OF FINISHED LENGTH



FACE VIEW - MALE RJ45
SCALE: 2X

FACE VIEW - MALE M12

- NOTES:**
- MATERIAL: AS NOTED
 - FINISH: AS NOTED
 - ELECTRICAL:
VOLTAGE: 125V
CURRENT: 1.5A
 - TEMP RATING: -20° TO +75°C
 - PROTECTION: IP67 (WHEN MATED)
 - COUPLING THREAD: M12 X 1
 - UL CERTIFIED FILE: E200650
 - ALL DIMS ARE FOR REFERENCE UNLESS NOTED OTHERWISE



WIRING DIAGRAM

PART NUMBER LEGEND

E16A06017M005

FINISHED LENGTH:
M005= 0.5 METER
M010= 1 METER
M100= 10 METER

REF. THIS DRAWING SUPERSEDES CO-CREATE DRAWING SD-120108-091 REV-B

| ITEM | DESCRIPTION | MATERIAL | FINISH |
|------|----------------------------|---------------|---------------|
| 9 | WRAP LABEL | VINYL | BLACK/YELLOW |
| 8 | RJ-45 BOOT | PVC | BLACK |
| 7 | RJ-45 PLUG | POLYCARBONATE | CLEAR |
| 6 | OVERMOLD | PBT | GRAY |
| 5 | COUPLING NUT | BRASS | NICKEL PLATED |
| 4 | SHIELD HOUSING | BRASS | NICKEL PLATED |
| 3 | CONTACT PIN | COPPER ALLOY | GOLD PLATED |
| 2 | MALE INSERT, D-CODE | PUR | BLACK |
| 1 | CABLE, 2 PAIR, 22AWG, SHLD | TPE JACKET | GREEN |

| | | | | | | |
|---|--|--|---|--------------|--------------------------------------|--------------------------------------|
| REVISED PER LATEST STD EC NO: IPG2019-0171 DRWN: RSTONE 2018/10/15 CHKD: C CHRAST 2018/10/22 APPR: BWOODMAN | QUALITY SYMBOL ▽=0 ▽=0 | GENERAL TOLERANCES (UNLESS SPECIFIED) 4 PLACES ±--- ±--- 3 PLACES ±--- ±--- 2 PLACES ±--- ±--- 1 PLACE ±--- ±--- | DIMENSION STYLE IN/MM | SCALE NTS | DESIGN UNITS INCH | THIRD ANGLE PROJECTION |
| | DRAWN BY RSTONE | DATE 2018/10/15 | TITLE M12 TO RJ45 CORDSET 4P MALE M12/RJ45 ST PROFI-NET | MOLEX | MOLEX INCORPORATED | SHEET NO. 1 OF 1 |
| | CHECKED BY C CHRAST | DATE ---- | APPROVED BY ---- | DATE ---- | MATERIAL NO. SEE P/N CHART | DOCUMENT NO. SD-120108-092 |
| | DRAFT WHERE APPLICABLE MUST REMAIN WITHIN DIMENSIONS | | THIS DRAWING CONTAINS INFORMATION THAT IS PROPRIETARY TO MOLEX INCORPORATED AND SHOULD NOT BE USED WITHOUT WRITTEN PERMISSION | | | |

X-ON Electronics

Largest Supplier of Electrical and Electronic Components

Click to view similar products for [Ethernet Cables / Networking Cables](#) category:

Click to view products by [Molex](#) manufacturer:

Other Similar products are found below :

[73-6670-7](#) [73-6680-15](#) [73-7797-25](#) [MCJB2-10P6Q7-120](#) [84909-0204](#) [1200700174](#) [1200860368](#) [E16A06002M030](#) [E200102-009-S1](#)
[AX105346-EW](#) [MT14-187L](#) [17-103530](#) [ERWPAB3002M005](#) [190-038045-01](#) [NK5EPC18RDY](#) [NK5EPC18VLY](#) [NK5EPC18YLY](#)
[NK5EPC1GRY](#) [NK5EPC4Y](#) [NK5EPC6YLY](#) [NK5EPC8BLY](#) [NK5EPC9YLY](#) [1969343-6](#) [C501100010](#) [C501106002](#) [C501106007](#)
[C501106015](#) [C501106025](#) [C601102010](#) [C601104010](#) [C601106007](#) [C601106015](#) [2142758-2](#) [2168427-2](#) [CAT1106007](#) [21949-1](#) [2J1866A](#)
[RJF SFTP 5E 0500](#) [AX100351](#) [MN14CEC/ST](#) [C501100015](#) [C501106004](#) [C501106010](#) [C5F1108007](#) [C601104004](#) [C601106004](#)
[CA21106004](#) [CA21106010](#) [CA21106015](#) [CA21109007](#)